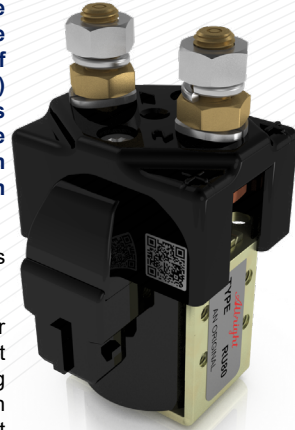


Application	Uninterrupted
Thermal Current Rating (I _{th})	200A
Intermittent Current Rating:	
30% Duty	365A
40% Duty	315A
50% Duty	280A
60% Duty	260A
70% Duty	240A
Rated Fault Current Breaking Capacity (I _{cn}) 5ms Time Constant: <i>(in accordance with UL583*)</i>	
RU80	800A at 48V D.C.
RU80B	800A at 80V D.C.
Rated Fault Current Breaking Capacity (I _{cn}) Resistive Load: <i>(in accordance with UL508*)</i>	
RU80	300A at 60V D.C.
RU80B	300A at 96V D.C.
Maximum Recommended Contact Voltages (U _c):	
RU80	60V D.C.
RU80B	96V D.C.
Typical Voltage Drop per pole across New Contacts at 200A	40mV
Mechanical Durability	>3 x 10 ⁶ Cycles
Coil Voltage Available (U _c) <i>(Rectifier board required for A.C.)</i>	From 6 to 240V A.C./D.C.
Coil Power Dissipation:	
Highly Intermittent Rated Types	20 - 30 Watts
Intermittently Rated types	15 - 20 Watts
Prolonged Rated Types	13 - 15 Watts
Continuously Rated Types	7 - 13 Watts
Maximum Pull-In Voltage (Coil at 20° C) Guideline:	
Highly Intermittent Rated types (Max 25% Duty Cycle)	60% U _s
Intermittently Rated types (Max 70% Duty Cycle)	60% U _s
Prolonged Operation (Max 90% Duty Cycle)	60% U _s
Continuously Rated Types (100% Duty Cycle)	66% U _s
Drop-Out Voltage Range	10 - 25% U _s
Typical Pull-In Time	20ms
Typical Drop-Out Time (N/O Contacts to Open):	
Without Suppression	5ms
With Diode Suppression	50ms
With Diode and Resistor <i>(Subject to resistance value)</i>	8 - 20ms
Typical Contact Bounce Period	3ms
Operating Ambient Temperature	- 40° C to + 60° C
Guideline Contactor Weight:	
RU80	350 gms
With Auxiliary	+ 20 gms
With Blowouts	+ 50 gms
Auxiliary Details	
Auxiliary Thermal Current Rating	5A
Auxiliary Contact Switching Capacities (Resistive Load):	
RU80C	RU80A
5A at 24V D.C.	
2A at 48V D.C.	
0.5A at 240V D.C.	
Advised Connection Sizes for Maximum Continuous Current	
Copper busbar	70mm ² [0.109inch ²]
Cable	Rated suitable for Application
Key: ▲ = Uninterrupted	
Note: Where applicable values shown are at 20° C	
* Please check our web site for product UL status	

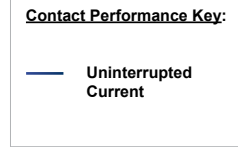
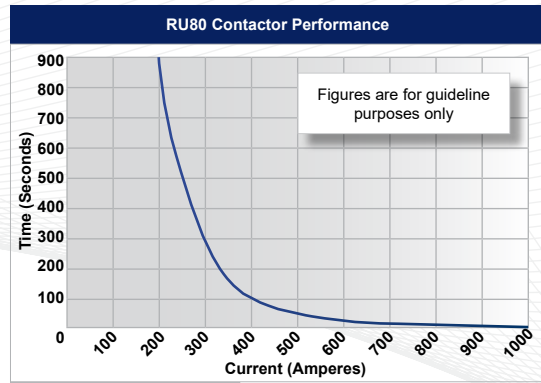
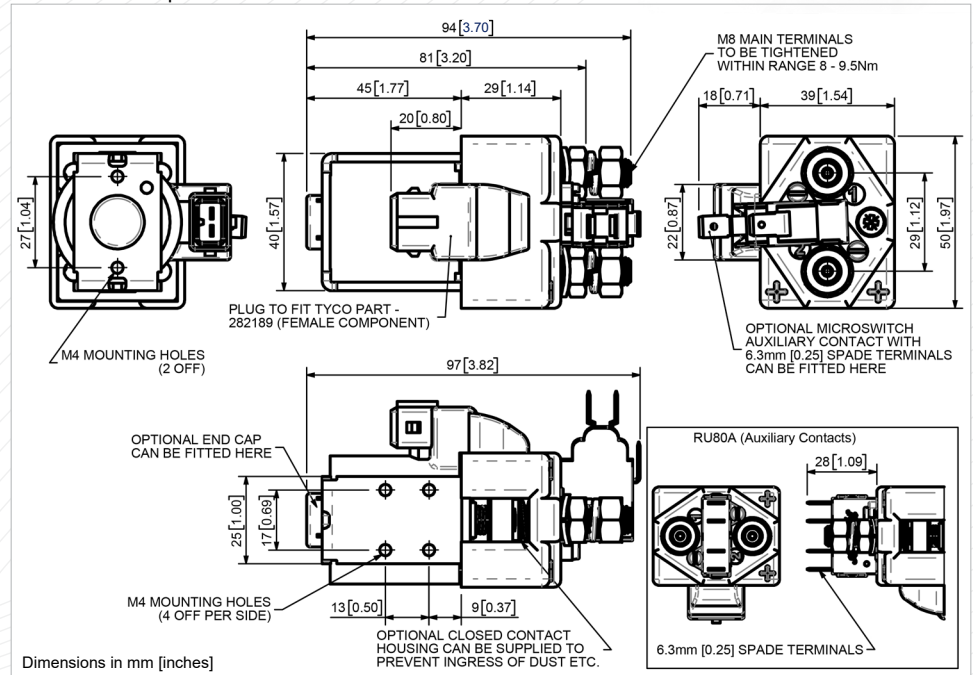
The Reduced Silver series are suitable for applications where infrequent switching is specified. In such applications the degradation of the tip is minimal and therefore a higher volume of silver is unnecessary. The RU80 with Junior Power Timer (JPT) Connector is an economical alternative to the SU80 in applications where switching requirements are Uninterrupted such as with line contactors or telecommunication and power distribution systems. In such applications, contact wear is minimal and the amount of silver in the tip can be selectively reduced.

- Uninterrupted current - no or infrequent load switching requirements (maintains a lower contact resistance).

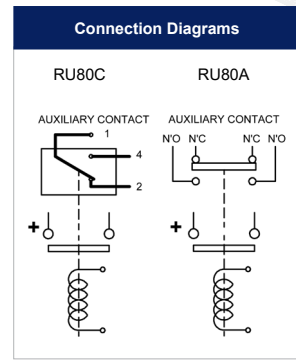
The RU80 features single pole double breaking main contacts with silver alloy tips, which are weld resistant, hard wearing and have excellent conductivity. Due to the low switching nature of the contactor, servicing requirements are minimal, however spares are available. Mounting can be vertical or horizontal, when vertical the M8 contact studs should point upwards. If the requirement is for downwards orientation we can adjust the contactor to compensate for this.



RU80 with JPT Connector



RU80 Available Options		
General		Suffix
Auxiliary Contacts	○	A
Auxiliary Contacts - V3	○	C
Magnetic Blowouts†	○	B
Magnetic Blowouts - High Powered†	○	B
Armature Cap	○	
Mounting Brackets (see SU Series Catalogue)	○	
Magnetic Latching† (Not fail safe)	○	M
Closed Contact Housing	○	
Environmentally Protected IP66	X	
EE Type (Steel Shroud)	○	EE
Contacts		
Textured Tips	○	T
Silver Plating	X	
Coil		
AC Rectifier Board (Fitted)	○	
Coil Suppression†	○	
Flying Leads	X	
Junior Power Timer Connector	●	
Manual Override Operation	○	
M4 Stud Terminals	X	
M5 Terminal Board	X	
Vacuum Impregnation	X	
Key: ○ Optional ○ Standard ● Not Available X		
† Connections become polarity sensitive		



- Performance data provided should be used as a guide only. Some de-rating or variation from figures may be necessary according to application.
- Thermal current ratings stated are dependant upon the size of conductor being used
- For further technical advice email: technical@albrightinternational.com
- Albright reserve the right to change data without prior notice