

Application	Interrupted	Uninterrupted
Thermal Current Rating (I _{th})	50A	65A
Intermittent Current Rating:		
30% Duty	90A	110A
40% Duty	80A	100A
50% Duty	70A	88A
60% Duty	65A	80A
70% Duty	60A	75A
Rated Fault Current Breaking Capacity (I _{cn}) 5ms Time Constant:		
MC50	400A at 48V DC	
Rated Fault Current Breaking Capacity (I _{cn}) Resistive Load: (in accordance with UL508*)		
MC50	75A at 60V DC	
Maximum Recommended Contact Voltages (U _e):		
MC50	48V DC	60V DC
Typical Voltage Drop per pole across New Contacts at 50A	40mV	
Mechanical Durability	>3 x 10 ⁶ Cycles	
Coil Voltages Available (U _s)	From 6 to 120V DC	
Coil Power Dissipation:		
Highly Intermittent Rated Types	12 - 21 Watts	
Intermittently Rated types	9 - 12 Watts	
Prolonged Rated Types	6 - 9 Watts	
Continuously Rated Types	4 - 6 Watts	
Maximum Pull-In Voltage (Coil at 20° C) Guideline:		
Highly Intermittent Rated types (Max 25% Duty Cycle)	60% U _s	
Intermittently Rated types (Max 70% Duty Cycle)	60% U _s	
Prolonged Operation (Max 90% Duty Cycle)	60% U _s	
Continuously Rated Types (100% Duty Cycle)	66% U _s	
Drop-Out Voltage Range	10 - 25% U _s	
Typical Pull-In Time	15ms	
Typical Drop-Out Time (N/O Contacts to Open):		
Without Suppression	6ms	
With Diode Suppression	20ms	
With Diode and Resistor 150Ω	8ms	
Typical Contact Bounce Period	3ms	
Operating Ambient Temperature	- 40°C to + 60°C	
Guideline Contactor Weight:		
MC50	180 gms	

The MC50 is a miniature series single pole free standing compact contactor which is sealed to IP67. The MC50 has been designed to fill the gap between 30 Ampere relays and 80 Ampere contactors and is suitable for switching resistive and inductive loads up to 48V DC. Typical applications are small traction motors, hydraulic power packs and engine starter motors for golf cars and garden machinery.

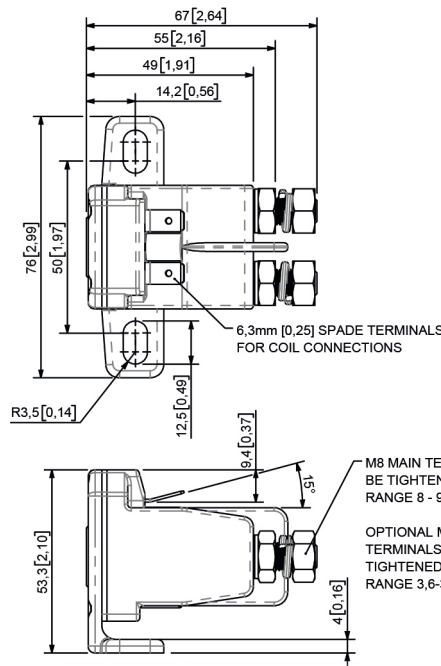
- **Interrupted** current - opening and closing on load with frequent switching (results in increased contact resistance).
- **Uninterrupted** current - no or infrequent load switching (maintains a lower contact resistance).



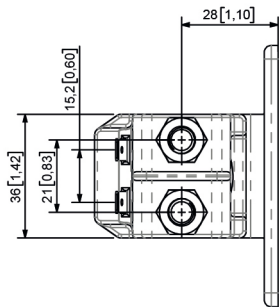
MC50

The MC50 features single pole double breaking contacts with silver alloy tips which are weld resistant, hard wearing and have excellent conductivity. The MC50 has M8 stud main terminals with the option of M6, and the coil terminals are 6.3mm spades. It can be side or base mounted with the included brackets.

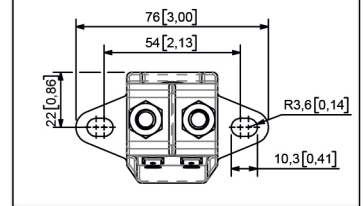
MC50 Fitted with 4700-2 Bracket for Horizontal Mounting



Dimensions in mm [inches]



MC50 Fitted with 4700-23 Bracket for Vertical Mounting



Advised Connection Sizes for Maximum Continuous Current

Copper busbar	30mm ² [0.05 inch ²]
Cable	Rated suitable for Application

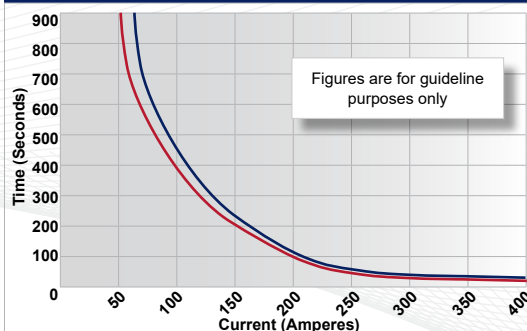
Key: ▴ = Interrupted ▴ = Uninterrupted

Note: Where applicable values shown are at 20° C

* Please check our web site for product UL status

- Performance data provided should be used as a guide only. Some de-rating or variation from figures may be necessary according to application.
- Thermal current ratings stated are dependant upon the size of conductor being used
- For further technical advice email: technical@albrightinternational.com
- Albright reserve the right to change data without prior notice

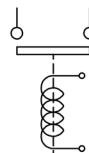
MC50 Contactor Performance



Contact Performance Key:

- Interrupted Current
- Uninterrupted Current

Connection Diagram



MC50 Available Options

General	Suffix
Auxiliary Contacts	X
Magnetic Blowouts	X
Mounting Bracket	•
Magnetic Latching† (Not fail safe)	○ M
M6 Main Terminals	○
Contacts	
Large Tips	X
Textured Tips	X
Coil	
Coil Suppression†	○

Key: Optional ○ Standard • Not Available X

† Coil connections become polarity sensitive