

Introducing Albright

About Albright

Albright is a privately owned company founded in 1946 and has been successfully operated by three family generations. Commencing with the manufacture of the Albright contactor range in the 1950s, the strong tradition of designing and manufacturing our own products continues to this day.

Albright is proud to be one of only a few contactor companies that wholly designs and manufactures its own product ranges. We rely on the expertise gained through many years of experience and a desire to produce pioneering products that meet customer demand.

As a result, Albright is established as the leading contactor supplier in industries which include electric vehicles, telecommunications, welding machines, railway equipment and marine products.

Product Range & Applications

A complete range of heavy current D.C. contactors are available, for use in a wide variety of applications, which include:

- Industrial Electric Trucks
- Railway Equipment
- Welding Machines
- Electric Vehicles
- Telecommunications Systems
- Marine Equipment

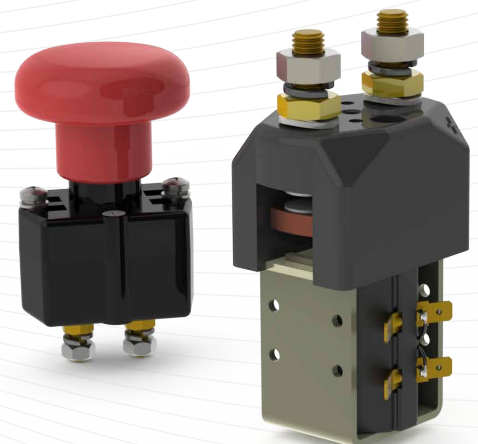
In addition to contactors, Albright manufactures a range of manually and electrically operated battery disconnecting switches. For an overview of our products see our Product Range and for in depth product summaries refer to our individual product catalogue data sheets, both are available to download from our website or from your local distributor.

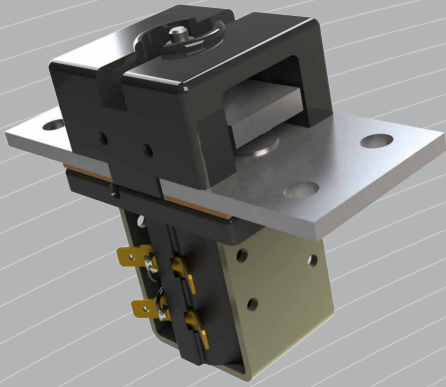
Choosing Albright

Whichever Albright product you choose you can rest assured it will have:

- **Innovative and original design** - results in products that are compact and space efficient without compromise.
- **Excellent standards of manufacture** - produce a superior quality of contactor.
- **Reliable Performance** - proven in thousands of applications around the world.
- **High specification materials** - including thermosetting contact housings, silver alloy contact tips, substantial copper conductors, Class H insulation for coils and self lubricating armature bearings.

With a network of worldwide distributors we can evaluate new applications, provide technical support and supply our original design D.C. contactors and spares throughout the world.





Albright Organisation

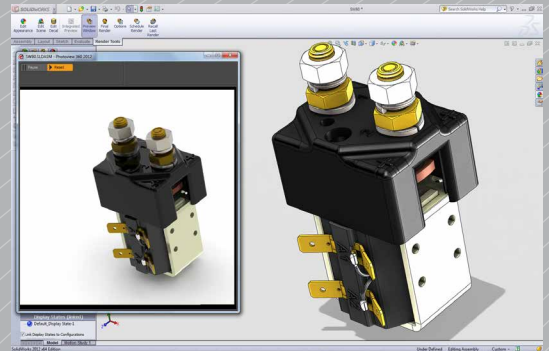
Albright manufactures from our Head Office at Whitchurch in the South of England and two wholly owned factories in China and Lithuania. Our dedicated Sales Offices are located in China, France, Germany, Japan and the UK. Further international distribution is via a network of appointed distributors. See our Distributors List for full details.

All our operations are staffed by trained teams whose expertise and competence results in reliable deliveries of products manufactured to the highest standards. Our dedicated team of design engineers ensure that the correct contactor is provided for the application or a bespoke unit can be supplied if required.

Engineering Process

To support our innovative approach and remain at the forefront of contactor technology, Albright has maintained its investment in the latest 3D CAD systems as well as developing further progressive production techniques and introducing advanced manufacturing systems. We can quickly provide our customers with 3 dimensional data and/or physical samples from our rapid prototyping facilities which enables concepts to be incorporated into their designs for easy visualisation and assessment.

Our approach to customers and their requirements has always been to provide a complete solution. Should our customer require a contactor developed for a particular application, depending on overall requirements and volume, Albright can engineer specific designs for customers. These can be a distinct variation of an existing product, or a complete new product range.



Technical Support

Albright provides a unique service to customers with the provision of our Technical Support teams. Our teams are available to offer advice to assist in choosing the correct product for your application, help resolve problems and to answer any queries which you may have before, during or after your purchase.

Offering our Technical Support to existing and potential customers from the outset ensures the correct product selection is made and assists in preventing issues. Our support service provides vital assistance to our customers who benefit by knowing they have bought the right product to the correct specification for their application. This service is available via our technical email address, phoning our offices or your local distributor.

Standards & Accreditation

Quality and the Environment are key considerations at Albright. We are accredited with:

- ISO 9001:2015 (QMS for Design and Manufacture of Electrical Equipment)
- ISO 14001:2015 (Environmental Management System)

Furthermore, to aid customers, selected products have 3rd party Certification/Recognition, as follows:

EU Standard:

- BS EN 61373 : 1999 (Shock and Vibration)

Chinese Standard:

- Chinese Compulsory Certification - CCC

Underwriters laboratories:

- AU2378 Industrial Truck Accessories, Battery Powered
- E165921 Power Distribution Centre for Telecommunications Equipment
- E181430 Switches, Industrial Control - Component

In addition, Albright is compliant with the Restriction of Hazardous Substances (RoHS) Directive ensuring the safe removal of hazardous material from all products. The removal of cadmium from silver tips and the elimination of lead products are some of the key actions implemented to ensure compliance. Should you require any information on the disposal of our products, please contact our Health, Safety & Environmental Manager or your Local Supplier for our Disposal Guidance Note.



ISO 14001: EMS 54527



CERT: 5908

