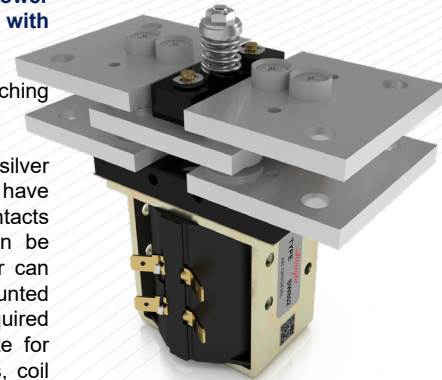


The SW802 is a single pole double throw contactor designed for use in telecommunication and power distribution applications where an uninterrupted load is switched. These contactors are primarily for use with Direct Current loads but can also be used with Alternating Currents.

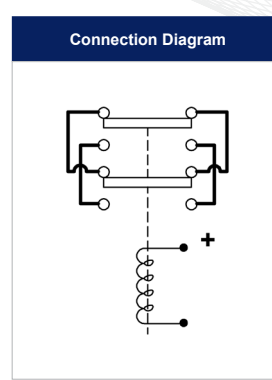
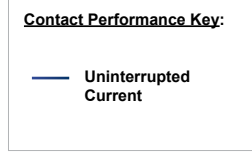
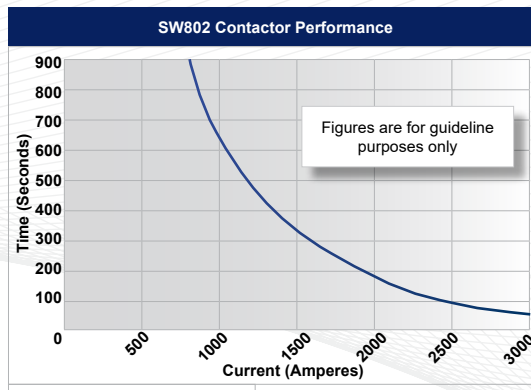
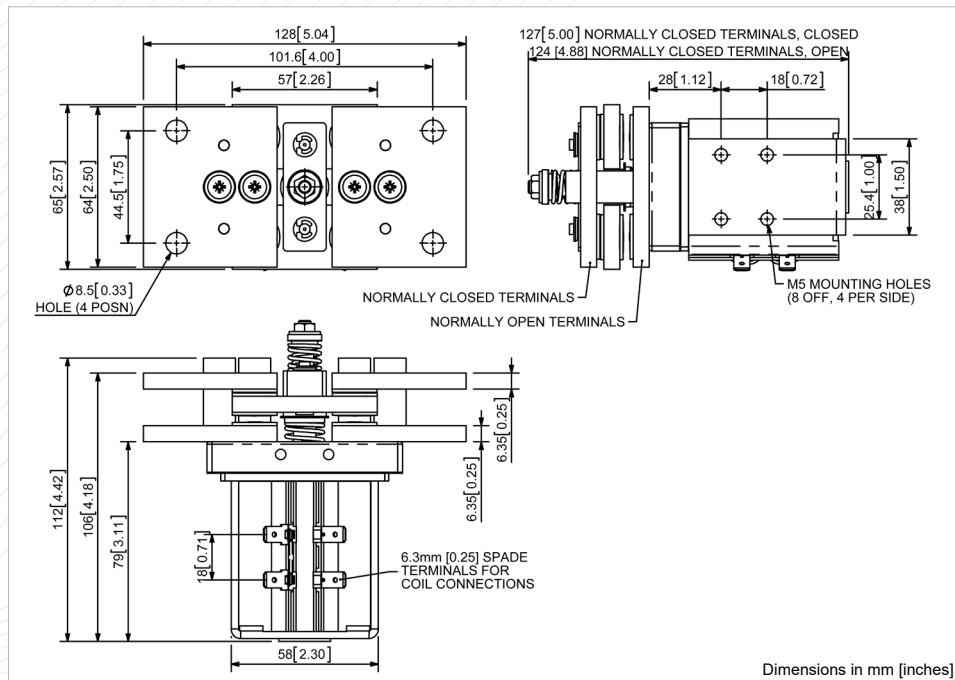
Application	Uninterrupted
Thermal Current Rating (I_{th})	800A
Intermittent Current Rating:	
30% Duty	1460A
40% Duty	1265A
50% Duty	1130A
60% Duty	1035A
70% Duty	955A
Rated Fault Current Breaking Capacity (I_{cn}) Resistive Load: (in accordance with UL508*)	
SW802	1200A at 60V D.C.
Maximum Recommended Contact Voltages (U_e):	
SW802	60V D.C.
Typical Voltage Drop per pole across New Contacts at 800A:	
Normally Open	50mV
Normally Closed	60mV
Mechanical Durability	
	>1 x 10 ⁶ Cycles
Coil Voltage Available (U_s) (Rectifier board required for A.C.)	
	From 6 to 240V A.C./D.C.
Coil Power Dissipation:	
Highly Intermittent Rated Types	60 - 90 Watts
Intermittently Rated Types	40 - 60 Watts
Prolonged Rated Types	35 - 45 Watts
Continuously Rated Types	25 - 35 Watts
Maximum Pull-In Voltage (Coil at 20° C) Guideline:	
Highly Intermittent Rated types (Max 25% Duty Cycle)	60% U_s
Intermittently Rated types (Max 70% Duty Cycle)	60% U_s
Prolonged Operation (Max 90% Duty Cycle)	60% U_s
Continuously Rated Types (100% Duty Cycle)	66% U_s
Drop-Out Voltage Range	
	10 - 30% U_s
Typical Pull-In Time (N/O Contacts to Close):	
	40ms
Typical Drop-Out Time (N/O Contacts to Open):	
Without Suppression	10ms
With Diode Suppression	100ms
With Diode and Resistor (Subject to resistance value)	30ms
Main Contact Change over time (milliseconds):	
Normally Closed to Normally Open	<50ms
Normally Open to Normally Closed	<40ms
Typical Contact Bounce Period	
	< 5ms
Operating Ambient Temperature	
	- 40°C to + 60°C
Guideline Contactor Weight:	
SW802	1900 gms
Advised Connection Sizes for Maximum Continuous Current	
Copper busbar	516mm ² [0.8inch ²]
Cable	Rated suitable for Application
Key: ▲ = Uninterrupted	
Note: Where applicable values shown are at 20° C	
* Please check our web site for product UL status	

- Uninterrupted current - no or infrequent load switching requirements (maintains lower contact resistance).

The SW802 features double breaking main contacts with silver alloy tips which are weld resistant, hard wearing and have excellent conductivity. Silver plating on the main contacts is standard for the SW802, however, optionally it can be excluded from the specification. This compact contactor can be busbar mounted vertically or horizontally, but if mounted vertically, the coil should be at the bottom. If the coil is required at the top, we can adjust the contactor to compensate for this. Optional extras include auxiliary switches, brackets, coil finishes and magnetic latching which allows the contactor to remain closed while consuming no coil power.



SW802



SW802 Available Options		
General		Suffix
Auxiliary Contacts	X	
Auxiliary Contacts - V3	X	
Magnetic Blowouts†	X	
Magnetic Blowouts - High Powered †	X	
Armature Cap	X	
Mounting Brackets (see Busbar Series Catalogue)	o	
Magnetic Latching† (Not fail safe)	o	M
Closed Contact Housing	X	
Environmentally Protected IP66	X	
EE Type (Steel Shroud)	X	
Contacts		
Large Tips	X	
Textured Tips	X	
Silver Plating (fitted as standard)	o	
Coil		
AC Rectifier Board (Fitted)	o	
Coil Suppression†	o	
Flying Leads	o	F
Manual Override Operation	o	
M4 Stud Terminals	X	
M5 Terminal Board	X	
Vacuum Impregnation	o	
Key: Optional o Standard ● Not Available X		
† Connections become polarity sensitive		

- Performance data provided should be used as a guide only. Some de-rating or variation from figures may be necessary according to application.
- Thermal current ratings stated are dependant upon the size of conductor being used
- For further technical advice email: technical@albrightinternational.com
- Albright reserve the right to change data without prior notice