

Application	Interrupted	Uninterrupted
Thermal Current Rating (I _{th})	▲	80A
Intermittent Current Rating:		
30% Duty	▲	145A
40% Duty	▲	125A
50% Duty	▲	115A
60% Duty	▲	105A
70% Duty	▲	95A
Rated Fault Current Breaking Capacity (I _{cn}) 5ms Time Constant: (in accordance with UL583*)		
SW64	▲	400A at 48V D.C.
SW64B	▲	400A at 96V D.C.
Rated Fault Current Breaking Capacity (I _{cn}) Resistive Load: (in accordance with UL583*)		
SW64	▲	120A at 60V D.C.
SW64B	▲	120A at 96V D.C.
Maximum Recommended Contact Voltages (U _c):		
SW64	▲	48V D.C. 60V D.C.
SW64B	▲	96V D.C.
Typical Voltage Drop per pole across New Contacts at 80A	▲	40mV
Mechanical Durability	▲	>3 x 10 ⁶ Cycles
Coil Voltage Available (U _s) (Rectifier board required for A.C.)	▲	From 6 to 130V D.C.
Coil Power Dissipation:		
Highly Intermittent Rated Types	▲	14 - 21 Watts
Intermittently Rated types	▲	10 - 14 Watts
Prolonged Rated Types	▲	7 - 10 Watts
Continuously Rated Types	▲	5 - 7 Watts
Maximum Pull-In Voltage (Coil at 20° C) Guideline:		
Highly Intermittent Rated types (Max 25% Duty Cycle)	▲	60% U _s
Intermittently Rated types (Max 70% Duty Cycle)	▲	60% U _s
Prolonged Operation (Max 90% Duty Cycle)	▲	60% U _s
Continuously Rated Types (100% Duty Cycle)	▲	66% U _s
Drop-Out Voltage Range	▲	10 - 25% U _s
Typical Pull-In Time	▲	15ms
Typical Drop-Out Time (N/O Contacts to Open):		
Without Suppression	▲	6ms
With Diode Suppression	▲	35ms
With Diode and Resistor (Subject to resistance value)	▲	8 - 20ms
Typical Contact Bounce Period	▲	3ms
Operating Ambient Temperature	▲	- 40°C to + 60°C
Guideline Contactor Weight:		
SW64	▲	405 gms
With Auxiliary	▲	+ 20 gms
With Blowouts	▲	+ 16 gms
Auxiliary Details		
Auxiliary Thermal Current Rating	▲	5A
Auxiliary Contact Switching Capabilities (Resistive Load):		
	▲	5A at 24V D.C.
	▲	1A at 60V D.C.
	▲	0.5A at 120V D.C.
	▲	0.25A at 240V D.C.
Advised Connection Sizes for Maximum Continuous Current		
Copper busbar	▲	52mm ² [0.08inch ²]
Cable	▲	Rated suitable for Application

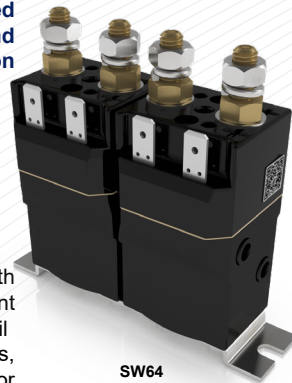
Key: ▲ = Interrupted ▲ = Uninterrupted
Note: Where applicable values shown are at 20° C
 * Please check our web site for product UL status

- Performance data provided should be used as a guide only. Some de-rating/variation from figures may be necessary according to application.
- Thermal current ratings stated are dependant upon size of conductor used
- For further technical advice email: technical@albrightinternational.com
- Albright reserve the right to change data without prior notice

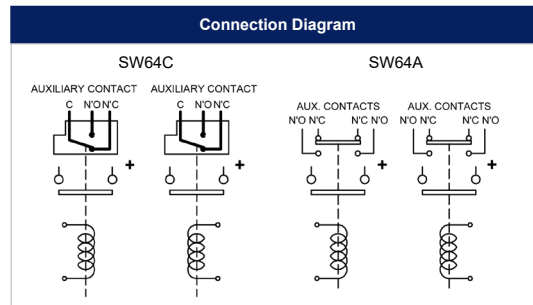
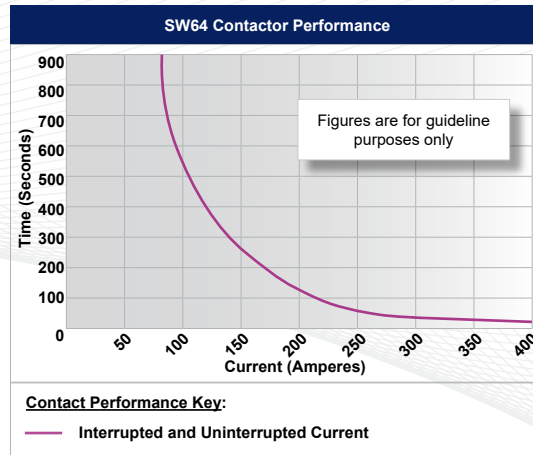
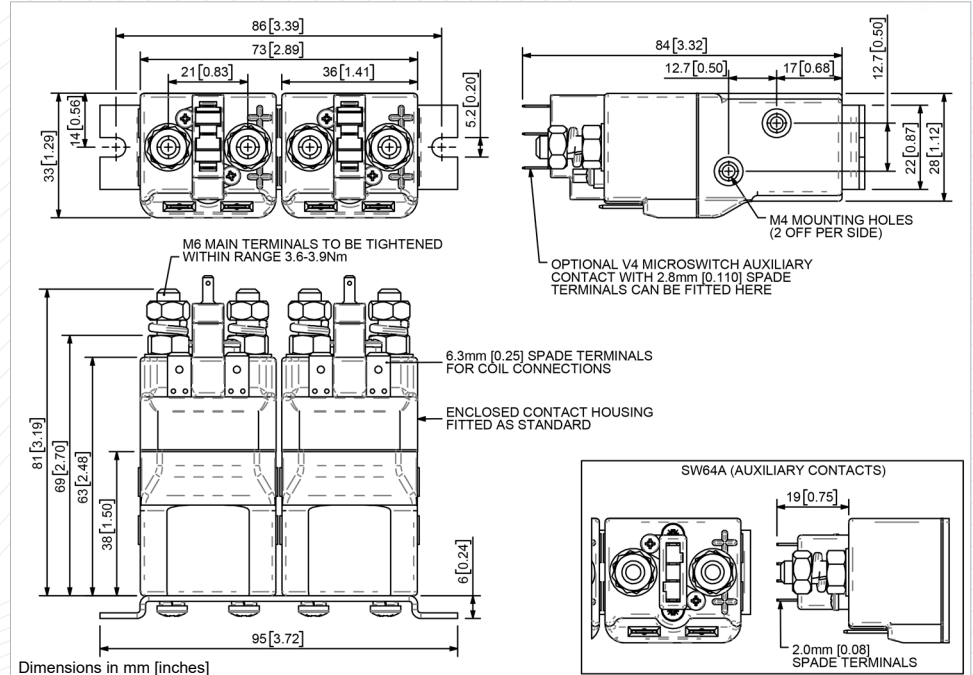
The SW64 is a miniature series single pole, free standing, compact contactor. It is designed to fill the gap between 30 ampere relays and 100 ampere contactors. Devised for both interrupted and uninterrupted loads, the SW64 is suitable for switching Resistive, Capacitive and Inductive loads. Typical applications include switching small traction motors, hydraulic power packs and small electric winch motors.

- Interrupted** current - opening and closing on load with frequent switching (results in increased contact resistance).
- Uninterrupted** current - no or infrequent load switching requirements (maintains a lower contact resistance).

The SW64 features single pole double breaking main contacts with silver alloy tips, which are weld resistant, hard wearing and have excellent conductivity. The SW64 has M6 stud main terminals and 6.3mm spade coil connections and can be mounted via M4 tapped holes or mounting brackets, either supplied fitted, or as separate items. Mounting can be on the side or base of the contactor.



SW64



SW64 Available Options		
General		Suffix
Auxiliary Contacts	○	A
Auxiliary Contacts - V4	○	C
Magnetic Blowouts†	○	B
Magnetic Blowouts - High Powered†	X	
Armature Cap	X	
Mounting Brackets (See Stud Contactor Series Catalogue)	●	
Magnetic Latching† (Not fail safe)	○	M
Closed Contact Housing†	●	
Environmentally Protected IP66 (see SW64P Catalogue Data Sheet)	○	P
EE Type (Steel Shroud)	X	
Contacts		
Large Tips	X	
Textured Tips	X	
Silver Plating	X	
Coil		
AC Rectifier Board (Fitted)	X	
Coil Suppression†	○	
Flying Leads	X	
Manual Override Operation	X	
M4 Stud Terminals	○	
M5 Terminal Board	X	
Vacuum Impregnation	X	
Key: Optional ○ Standard ● Not Available X		
† Connections become polarity sensitive		
‡ Enclosed top cover standard when blowouts not fitted		