

The SW600 is designed for use in telecommunication and power distribution applications where an uninterrupted load is switched. These contactors are primarily for use with Direct Current loads but can also be used with Alternating Currents.

- Uninterrupted current - no or infrequent load switching requirements (maintains lower contact resistance).

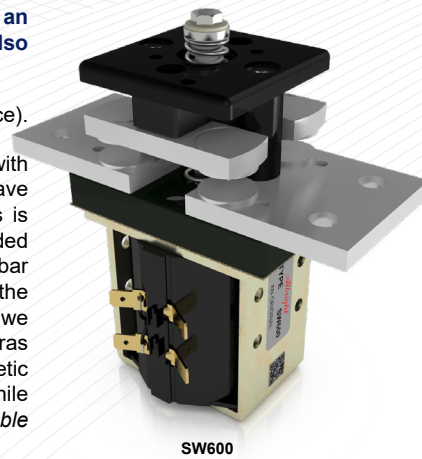
| Application | Uninterrupted |
|---|--|
| Thermal Current Rating (I_{th}) | 600A |
| Intermittent Current Rating: | |
| 30% Duty | 1095A |
| 40% Duty | 950A |
| 50% Duty | 850A |
| 60% Duty | 775A |
| 70% Duty | 715A |
| Rated Fault Current Breaking Capacity (I_{cn}) Resistive Load: (in accordance with UL508*) | |
| SW600 | 900A at 60V D.C. |
| Maximum Recommended Contact Voltages (U_g): | |
| SW600 | 60V D.C. |
| Typical Voltage Drop per pole across New Contacts at 600A | 50mV |
| Mechanical Durability | >1 x 10 ⁶ Cycles |
| Coil Voltage Available (U_s) (Rectifier board required for A.C.) | From 6 to 240V A.C./D.C. |
| Coil Power Dissipation: | |
| Highly Intermittent Rated Types | 60 - 80 Watts |
| Intermittently Rated Types | 30 - 60 Watts |
| Prolonged Rated Types | 21 - 30 Watts |
| Continuously Rated Types | 13 - 21 Watts |
| Maximum Pull-In Voltage (Coil at 20° C) Guideline: | |
| Highly Intermittent Rated types (Max 25% Duty Cycle) | 60% U_s |
| Intermittently Rated types (Max 70% Duty Cycle) | 60% U_s |
| Prolonged Operation (Max 90% Duty Cycle) | 60% U_s |
| Continuously Rated Types (100% Duty Cycle) | 66% U_s |
| Drop-Out Voltage Range | 10 - 30% U_s |
| Typical Pull-In Time | 40ms |
| Typical Drop-Out Time (N/O Contacts to Open): | |
| Without Suppression | 10ms |
| With Diode Suppression | 100ms |
| With Diode and Resistor (Subject to resistance value) | 30ms |
| Typical Contact Bounce Period | < 5ms |
| Operating Ambient Temperature | -40°C to +60°C |
| Guideline Contactor Weight: | |
| SW600 | 1450 gms |
| With Auxiliary | + 20 gms |
| Auxiliary Details | |
| Auxiliary Thermal Current Rating | 5A |
| Auxiliary Contact Switching Capabilities (Resistive Load): | |
| SW600A | SW600C |
| | 5A at 24V D.C. |
| | 2A at 48V D.C. |
| | 0.5A at 240V D.C. |
| Advised Connection Sizes for Maximum Continuous Current | |
| Copper busbar | 387mm ² [0.6inch ²] |
| Cable | Rated suitable for Application |

Key: ▲ = Uninterrupted
Note: Where applicable values shown are at 20° C

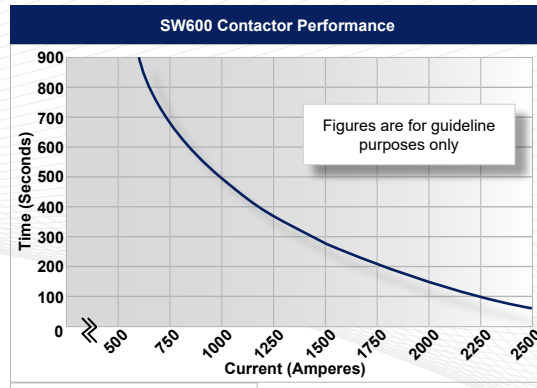
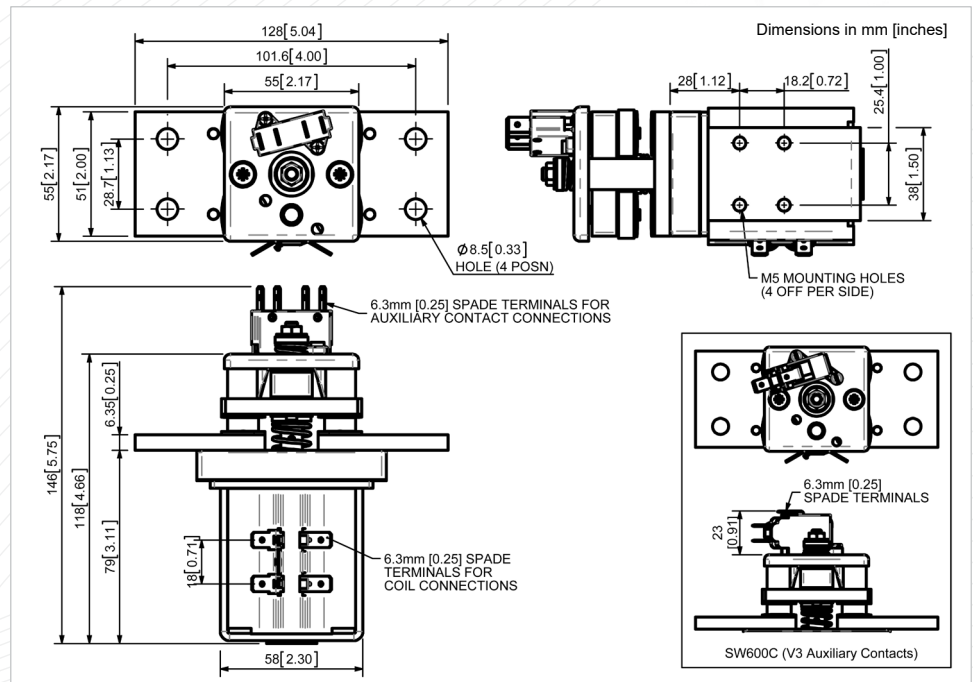
* Please check our web site for product UL status

- Performance data provided should be used as a guide only. Some de-rating or variation from figures may be necessary according to application.
- Thermal current ratings stated are dependant upon the size of conductor being used
- For further technical advice email: technical@albrightinternational.com
- Albright reserve the right to change data without prior notice

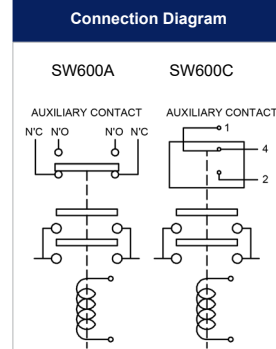
The SW600 features double breaking main contacts with silver alloy tips which are weld resistant, hard wearing and have excellent conductivity. Silver plating on the main contacts is standard for the SW600, however, optionally it can be excluded from the specification. This compact contactor can be busbar mounted vertically or horizontally, but if mounted vertically, the coil should be at the bottom. If the coil is required at the top, we can adjust the contactor to compensate for this. Optional extras include auxiliary switches, brackets, coil finishes and magnetic latching which allows the contactor to remain closed while consuming no coil power. *Please note, although still available the SW600 has been superseded by the SW560.*



SW600



Contact Performance Key:
 — Uninterrupted Current



| SW600 Available Options | | |
|---|---|--------|
| General | | Suffix |
| Auxiliary Contacts | ○ | A |
| Auxiliary Contacts - V3 | ○ | C |
| Magnetic Blowouts† | X | |
| Magnetic Blowouts - High Powered† | X | |
| Armature Cap | X | |
| Mounting Brackets (see Busbar Series Catalogue) | ○ | |
| Magnetic Latching† (Not fail safe) | ○ | M |
| Closed Contact Housing | X | |
| Environmentally Protected IP66 | X | |
| EE Type (Steel Shroud) | X | |
| Contacts | | |
| Large Tips | X | |
| Textured Tips | X | |
| Silver Plating | ○ | |
| Coil | | |
| AC Rectifier Board (Fitted) | ○ | |
| Coil Suppression† | ○ | |
| Flying Leads | ○ | F |
| Manual Override Operation | ○ | |
| M4 Stud Terminals | X | |
| M5 Terminal Board | X | |
| Vacuum Impregnation | ○ | |
| Key: Optional ○ Standard ● Not Available X | | |
| † Connections become polarity sensitive | | |