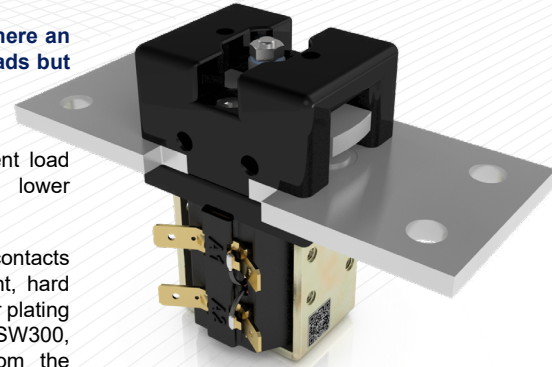


The SW300 is designed for use in telecommunication and power distribution applications where an uninterrupted load is switched. These contactors are primarily for use with Direct Current loads but can also be used with Alternating Currents.



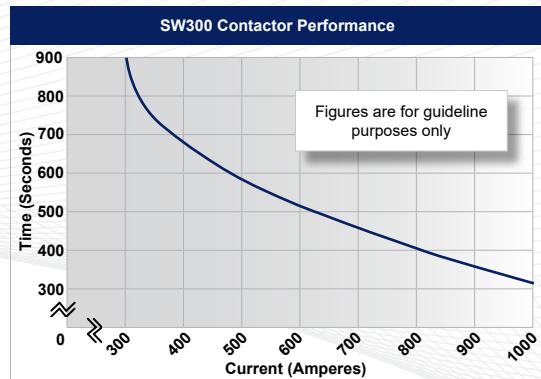
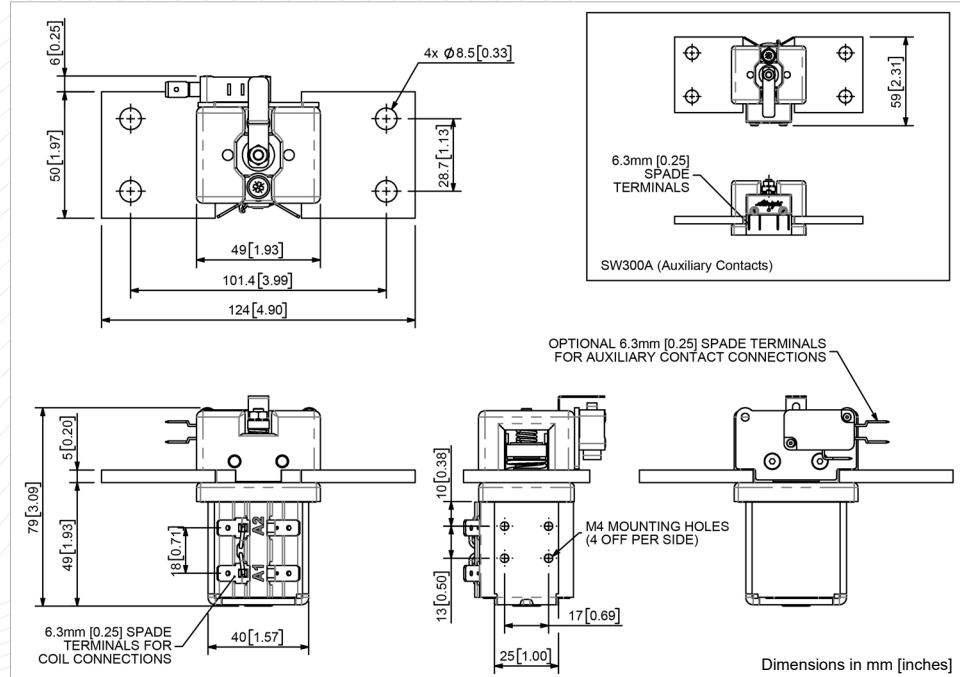
SW300

| Application   | Uninterrupted                               |
|---|---|
| Thermal Current Rating ( <sup>1</sup> t <sub>h</sub> )  | 300A  |
| Intermittent Current Rating:  |   |
| 30% Duty  | 550A  |
| 40% Duty  | 475A  |
| 50% Duty  | 425A  |
| 60% Duty  | 390A  |
| 70% Duty  | 360A  |
| Rated Fault Current Breaking Capacity ( <sup>1</sup> cn) Resistive Load:<br>(in accordance with UL508*) |   |
| SW300   | 450A at 60V D.C.                            |
| Maximum Recommended Contact Voltages (U <sub>e</sub> ):   |   |
| SW300   | 60V D.C.                                    |
| Typical Voltage Drop per pole across New Contacts at 300A   | 50mV  |
| Mechanical Durability   | >1 x 10 <sup>6</sup> Cycles                 |
| Coil Voltage Available (U <sub>c</sub> )<br>(Rectifier board required for A.C.)                         | From 6 to 240V A.C./D.C.                    |
| Coil Power Dissipation:   |   |
| Highly Intermittent Rated Types   | 20 - 30 Watts                               |
| Intermittently Rated Types  | 15 - 20 Watts                               |
| Prolonged Rated Types   | 13 - 15 Watts                               |
| Continuously Rated Types  | 7 - 13 Watts                                |
| Maximum Pull-In Voltage (Coil at 20° C) Guideline:  |   |
| Highly Intermittent Rated types<br>(Max 25% Duty Cycle)   | 60% U <sub>s</sub>                          |
| Intermittently Rated types<br>(Max 70% Duty Cycle)  | 60% U <sub>s</sub>                          |
| Prolonged Operation<br>(Max 90% Duty Cycle)   | 60% U <sub>s</sub>                          |
| Continuously Rated Types<br>(100% Duty Cycle)   | 66% U <sub>s</sub>                          |
| Drop-Out Voltage Range  | 10 - 30% U <sub>s</sub>                     |
| Typical Pull-In Time  | 15ms  |
| Typical Drop-Out Time (N/O Contacts to Open):   |   |
| Without Suppression   | 6ms   |
| With Diode Suppression  | 35ms  |
| With Diode and Resistor<br>(Subject to resistance value)  | 20ms  |
| Typical Contact Bounce Period   | < 5ms                                       |
| Operating Ambient Temperature   | - 40°C to + 60°C                            |
| Guideline Contactor Weight:   |   |
| SW300   | 560 gms                                     |
| With Auxiliary  | + 20 gms                                    |
| <b>Auxiliary Details</b>  |   |
| Auxiliary Thermal Current Rating  | 5A  |
| <b>Auxiliary Contact Switching Capabilities (Resistive Load):</b>                                       |   |
| SW300C  | SW300A                                      |
|   | 5A at 24V D.C.                              |
|   | 2A at 48V D.C.                              |
|   | 1.3A at 72V D.C.                            |
| <b>Advised Connection Sizes for Maximum Continuous Current</b>  |   |
| Copper busbar   | 194mm <sup>2</sup> [0.30inch <sup>2</sup> ] |
| Cable   | Rated Suitable for Application              |

**Key:** ▲ Uninterrupted  
 Note: Where applicable values shown are at 20° C  
 \* Please check our web site for product UL status

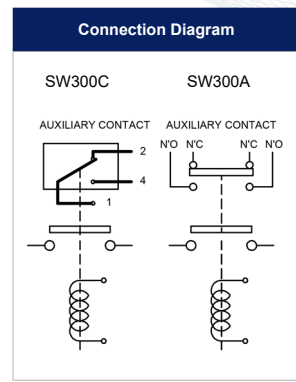
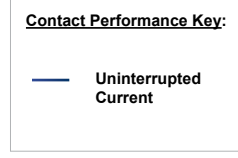
- **Uninterrupted current** - no or infrequent load switching requirements (maintains a lower contact resistance).

The SW300 features double breaking main contacts with silver alloy tips which are weld resistant, hard wearing and have excellent conductivity. Silver plating on the main contacts is standard for the SW300, however optionally it can be excluded from the specification. The SW300 is a compact contactor which can be busbar mounted vertically or horizontally, if mounted vertically the coil should be at the bottom.



**SW300 Available Options**

| General  | Suffix |
|--|--------|
| Auxiliary Contacts                                 | ○ A    |
| Auxiliary Contacts - V3                            | ○ C    |
| Magnetic Blowouts†                                 | X      |
| Magnetic Blowouts - High Powered†                  | X      |
| Armature Cap                                       | X      |
| Mounting Brackets<br>(see Busbar Series Catalogue) | ○      |
| Magnetic Latching† (Not fail safe)                 | ○ M    |
| Closed Contact Housing                             | X      |
| Environmentally Protected IP66                     | X      |
| EE Type (Steel Shroud)                             | X      |



- Performance data provided should be used as a guide only. Some de-rating or variation from figures may be necessary according to application.
- Thermal current ratings stated are dependant upon the size of conductor being used
- For further technical advice email: [technical@albrightinternational.com](mailto:technical@albrightinternational.com)
- Albright reserve the right to change data without prior notice

| Contacts                            |     |
|-------------------------------------|-----|
| Large Tips                          | X   |
| Textured Tips                       | ○ T |
| Silver Plating (fitted as standard) | ○   |
| Coil                                |     |
| AC Rectifier Board (Fitted)         | ○   |
| Coil Suppression†                   | ○   |
| Flying Leads                        | ○ F |
| Manual Override Operation           | ○   |
| M4 Stud Terminals                   | X   |
| M5 Terminal Board                   | ○   |
| Vacuum Impregnation                 | ○   |

**Key:** ○ Optional ○ Standard ● Not Available X  
 † Connections become polarity sensitive