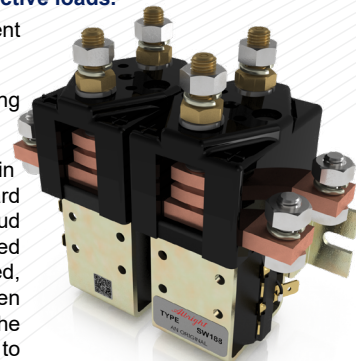


Application	Interrupted	Uninterrupted
Thermal Current Rating (I _{th})	150A	200A [§]
Intermittent Current Rating:		
30% Duty	275A	365A [§]
40% Duty	235A	315A [§]
50% Duty	210A	285A [§]
60% Duty	195A	260A [§]
70% Duty	180A	240A [§]
Rated Fault Current Breaking Capacity (I _{cn}) 5ms Time Constant: (in accordance with UL583*)		
SW188	1000A at 48V	
SW188B	1000A at 96V	
Maximum Recommended Contact Voltages (U _e):		
SW188	48V D.C.	
SW188B	96V D.C.	
Typical Voltage Drop per pole across New Contacts at 150A:		
Normally Open	30mV	
Normally Closed	40mV	
Mechanical Durability	>5 x 10 ⁶	
Coil Voltage Available (U _s) (Rectifier board required for A.C.)	From 6 to 240V A.C./D.C.	
Coil Power Dissipation:		
Highly Intermittent Rated Types	40 - 50 Watts	
Intermittently Rated types	30 - 40 Watts	
Prolonged Rated Types	15 - 30 Watts	
Continuously Rated Types	10 - 15 Watts	
Maximum Pull-In Voltage (Coil at 20° C) Guideline:		
Highly Intermittent Rated types (Max 25% Duty Cycle)	60% U _s	
Intermittently Rated types (Max 70% Duty Cycle)	60% U _s	
Prolonged Operation (Max 90% Duty Cycle)	60% U _s	
Continuously Rated Types (100% Duty Cycle)	66% U _s	
Drop-Out Voltage Range	10 - 25% U _s	
Typical Pull-In Time (N/O Contacts to Close):	30ms	
Typical Drop-Out Time (N/O Contacts to Open):		
Without Suppression	8ms	
With Diode Suppression	60ms	
With Diode and Resistor (Subject to resistance value)	25ms	
Main Contact Change over time (milliseconds):		
Normally Closed to Normally Open	12ms	
Normally Open to Normally Closed	5ms	
Typical Contact Bounce Period	3ms	
Operating Ambient Temperature	- 40° C to + 60° C	
Guideline Contactor Weight:		
SW188	1680 gms	
With Auxiliary	+ 40 gms	
With Blowouts	+ 100 gms	
Auxiliary Details		
Auxiliary Thermal Current Rating	5A	
Auxiliary Contact Switching Capabilities (Resistive Load):		
SW188C	SW188A	
	5A at 24V D.C.	
	2A at 48V D.C.	
	0.5A at 240V D.C.	
Advised Connection Sizes for Maximum Continuous Current		
Copper busbar	130mm ² [0.20inch ²]	
Cable	Rated suitable for Application	
Key: ▶ = Interrupted ▶ = Uninterrupted		
Note: Where applicable values shown are at 20° C		
* Please check our web site for product UL status		
§ Normally Open contacts only - Normally Closed should be rated as per Interrupted Current, and are not recommended to make and break load		

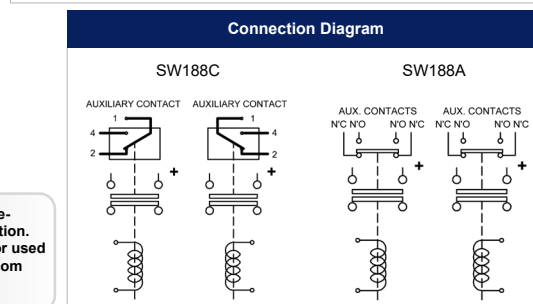
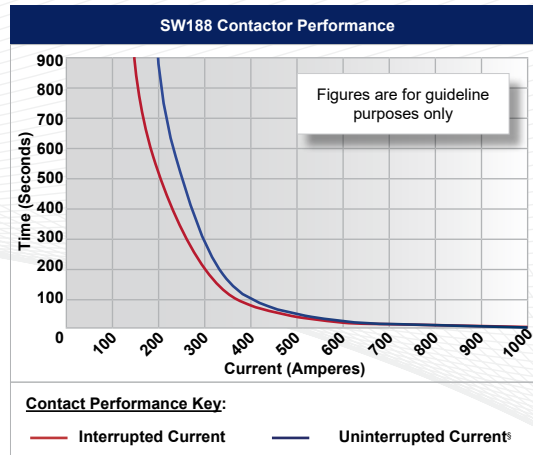
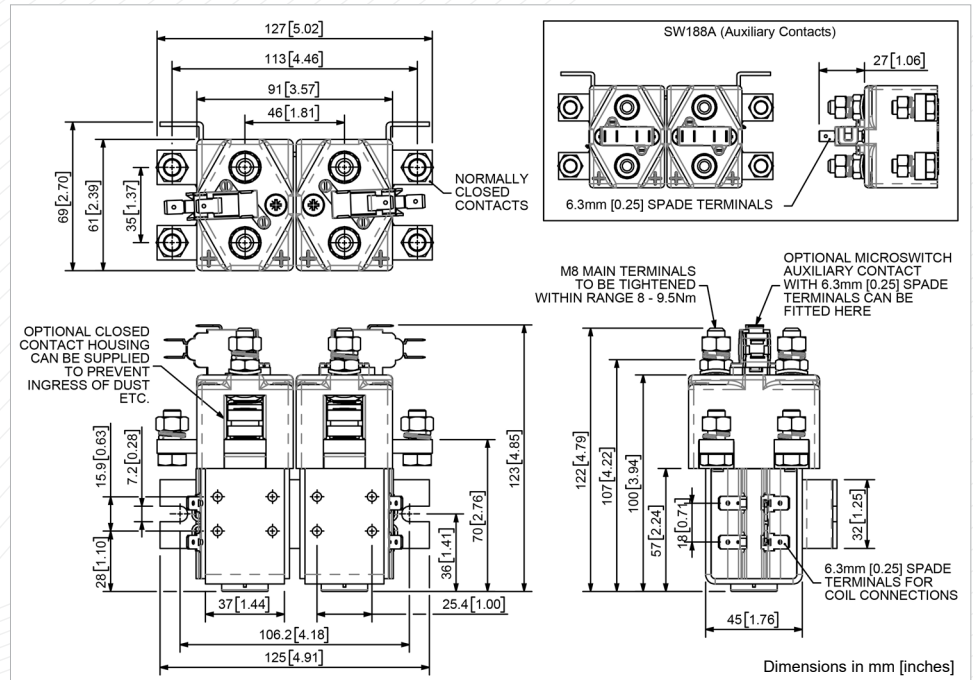
The SW188 has been designed for direct current loads, including motors as used on electric vehicles such as industrial trucks. Developed for both interrupted and uninterrupted loads, the SW188 is suitable for switching Resistive, Capacitive and Inductive loads.

- **Interrupted** current - opening and closing on load with frequent switching (results in increased contact resistance).
- **Uninterrupted** current - no or infrequent load switching requirements (maintains a lower contact resistance).

The SW188 features single pole double throw, double breaking main contacts with silver alloy tips, which are weld resistant, hard wearing and have excellent conductivity. The SW188 has M8 stud main terminals and 6.3mm spade coil connections. It can be mounted via M5 tapped holes or mounting brackets – either supplied fitted, or as separate items. Mounting can be horizontal or vertical, when vertical the M8 contact studs should point upwards. If the requirement is for downwards orientation we can adjust the contactor to compensate for this. Note Normally Closed contacts are not recommended to make and break load.



SW188



SW188 Available Options		
General		Suffix
Auxiliary Contacts	<input type="radio"/>	A
Auxiliary Contacts - V3	<input type="radio"/>	C
Magnetic Blowouts†	<input type="radio"/>	B
Magnetic Blowouts - High Powered†	<input type="radio"/>	B
Armature Cap	<input checked="" type="radio"/>	
Mounting Brackets (See Stud Contactor Series Catalogue)	<input checked="" type="radio"/>	
Magnetic Latching† (Not fail safe)	<input type="radio"/>	M
Closed Contact Housing‡	<input type="radio"/>	
Environmentally Protected IP66	<input checked="" type="radio"/>	X
EE Type (Steel Shroud)	<input checked="" type="radio"/>	X
Contacts		
Large Tips	<input type="radio"/>	L
Textured Tips	<input type="radio"/>	T
Silver Plating	<input checked="" type="radio"/>	X
Coil		
AC Rectifier Board (Fitted)	<input type="radio"/>	
Coil Suppression†	<input type="radio"/>	
Flying Leads	<input type="radio"/>	F
Manual Override Operation	<input checked="" type="radio"/>	X
M4 Stud Terminals	<input checked="" type="radio"/>	X
M5 Terminal Board	<input type="radio"/>	
Vacuum Impregnation	<input type="radio"/>	
Key: <input type="radio"/> Optional <input type="radio"/> Standard <input checked="" type="radio"/> Not Available <input checked="" type="radio"/> X		
† Connections become polarity sensitive		
‡ Open Housing Available		

- Performance data provided should be used as a guide only. Some de-rating/variation from figures may be necessary according to application.
- Thermal current ratings stated are dependant upon size of conductor used
- For further technical advice email: technical@albrightinternational.com
- Albright reserve the right to change data without prior notice