

Application	Interrupted	Uninterrupted
Thermal Current Rating (I _{th})	250A	350A
Intermittent Current Rating:		
30% Duty	450A	635A
40% Duty	390A	550A
50% Duty	360A	495A
60% Duty	320A	450A
70% Duty	300A	415A
Rated Fault Current Breaking Capacity (I _{cn}) 5ms Time Constant: (in accordance with UL583*)		
SU280	1500A at 48V D.C.	
SU280B	1500A at 80V D.C.	
Rated Fault Current Breaking Capacity (I _{cn}) Resistive Load: (in accordance with UL508*)		
SU280	525A at 60V D.C.	
SU280B	525A at 96V D.C.	
Maximum Recommended Contact Voltages (U _c):		
SU280	48V D.C.	60V D.C.
SU280B	96V D.C.	
Typical Voltage Drop per pole across New Contacts at 250A	40mV	
Mechanical Durability	>3 x 10 ⁶ Cycles	
Coil Voltage Available (U _s) (Rectifier board required for A.C.)	From 6 to 240V A.C./D.C.	
Coil Power Dissipation:		
Highly Intermittent Rated Types	40 - 50 Watts	
Intermittently Rated types	30 - 40 Watts	
Prolonged Rated Types	15 - 30 Watts	
Continuously Rated Types	10 - 15 Watts	
Maximum Pull-In Voltage (Coil at 20° C) Guideline:		
Highly Intermittent Rated types (Max 25% Duty Cycle)	60% U _s	
Intermittently Rated types (Max 70% Duty Cycle)	60% U _s	
Prolonged Operation (Max 90% Duty Cycle)	60% U _s	
Continuously Rated Types (100% Duty Cycle)	66% U _s	
Drop-Out Voltage Range	10 - 25% U _s	
Typical Pull-In Time	30ms	
Typical Drop-Out Time (N/O Contacts to Open):		
Without Suppression	8ms	
With Diode Suppression	60ms	
With Diode and Resistor (Subject to resistance value)	25ms	
Typical Contact Bounce Period	3ms	
Operating Ambient Temperature	- 40°C to + 60°C	
Guideline Contactor Weight:		
SU280	745 gms	
With Auxiliary	+ 20 gms	
With Blowouts	+ 50 gms	
Auxiliary Details		
Auxiliary Thermal Current Rating	5A	
Auxiliary Contact Switching Capabilities (Resistive Load):		
SU280C	SU280A	
	5A at 24V D.C.	
	2A at 48V D.C.	
	0.5A at 240V D.C.	
Advised Connection Sizes for Maximum Continuous Current		
Copper busbar	228mm ² [0.353 inch ²]	
Cable	Rated suitable for Application	

Key: ▾ = Interrupted ▾ = Uninterrupted

Note: Where applicable values shown are at 20° C

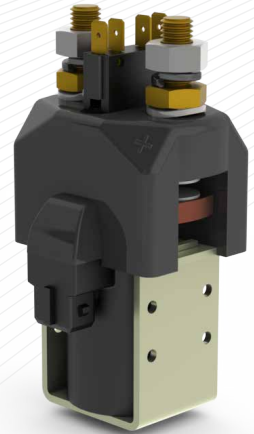
* Please check our web site for product UL status

- Performance data provided should be used as a guide only. Some de-rating or variation from figures may be necessary according to application.
- Thermal current ratings stated are dependant upon the size of conductor being used
- For further technical advice email: technical@albrightinternational.com
- Albright reserve the right to change data without prior notice

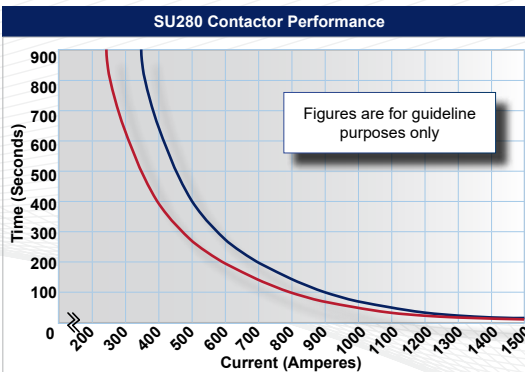
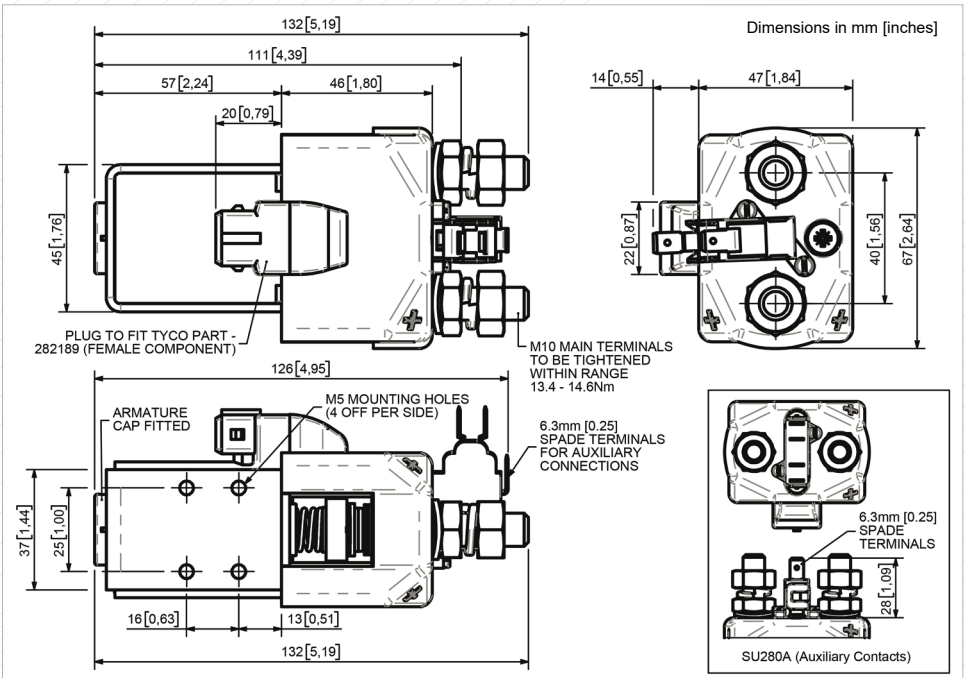
The SU280 with Junior Power Timer (JPT) connector contactor has been designed for direct current loads, particularly motors as used on electronic vehicles such as industrial truck and airport tractors.

- Interrupted** current - opening and closing on load with frequent switching (results in increased contact resistance).
- Uninterrupted** current - no or infrequent load switching requirements (maintains a lower contact resistance).

The SU280 feature double breaking main contacts with silver alloy tips, which are weld resistant, hard wearing and have excellent conductivity. They are easy to install, with M5 tapped holes in the switch frame together with a range of mounting brackets available. Mounting can be vertical or horizontal, when vertical the M10 contact studs should point upwards. If the requirement is for downwards orientation we can adjust the contactor to compensate for this. Electrical connections follow industrial standards and coil configuration offering termination via a JPT connector, allowing quick, polarity sensitive connection to the applications harness.



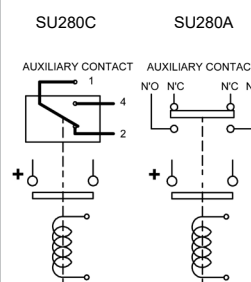
SU280 with JPT Connector



Contact Performance Key:

- Interrupted Current
- Uninterrupted Current

Connection Diagram



SU280 Available Options

General	Suffix
Auxiliary Contacts	○ A
Auxiliary Contacts - V3	○ C
Magnetic Blowouts†	○ B
Magnetic Blowouts - High Powered†	○ B
Armature Cap	●
Mounting Brackets	○
Magnetic Latching† (Not fail safe)	○ M
Closed Contact Housing	○
Environmentally Protected IP66 (see SU280P Catalogue Data Sheet)	X
EE Type (Steel Shroud)	X
Contacts	
Large Tips	X
Textured Tips	○ T
Silver Plating	X
Coil	
AC Rectifier Board (Fitted)	X
Coil Suppression†	○
Flying Leads	X
Junior Power Timer Connector	○
Manual Override Operation	X
M4 Stud Terminals	X
M5 Terminal Board	X
Vacuum Impregnation	X

Key: ○ Optional ○ Standard ● Not Available X
† Connections become polarity sensitive