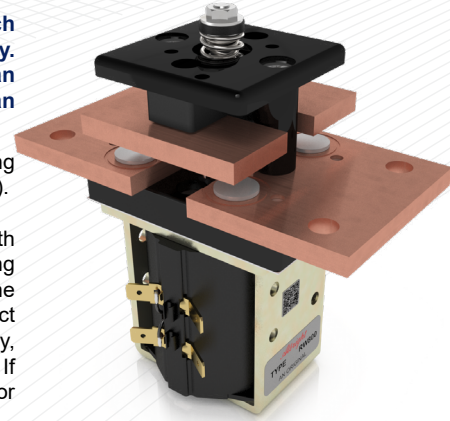


The Reduced Silver series are suitable for applications where infrequent switching is specified. In such applications the degradation of the tip is minimal and therefore a higher volume of silver is unnecessary. The RW800 is designed for use in telecommunication and power distribution applications where an uninterrupted load is switched. These contactors are primarily for use with Direct Current loads but can also be used with Alternating Currents.

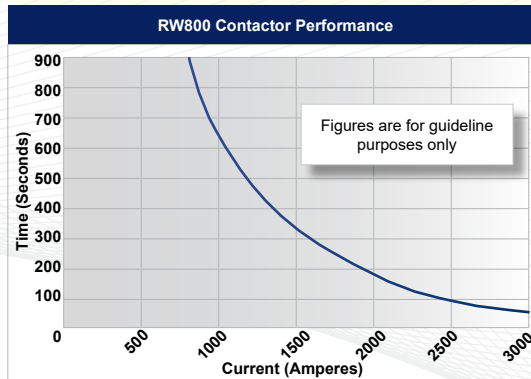
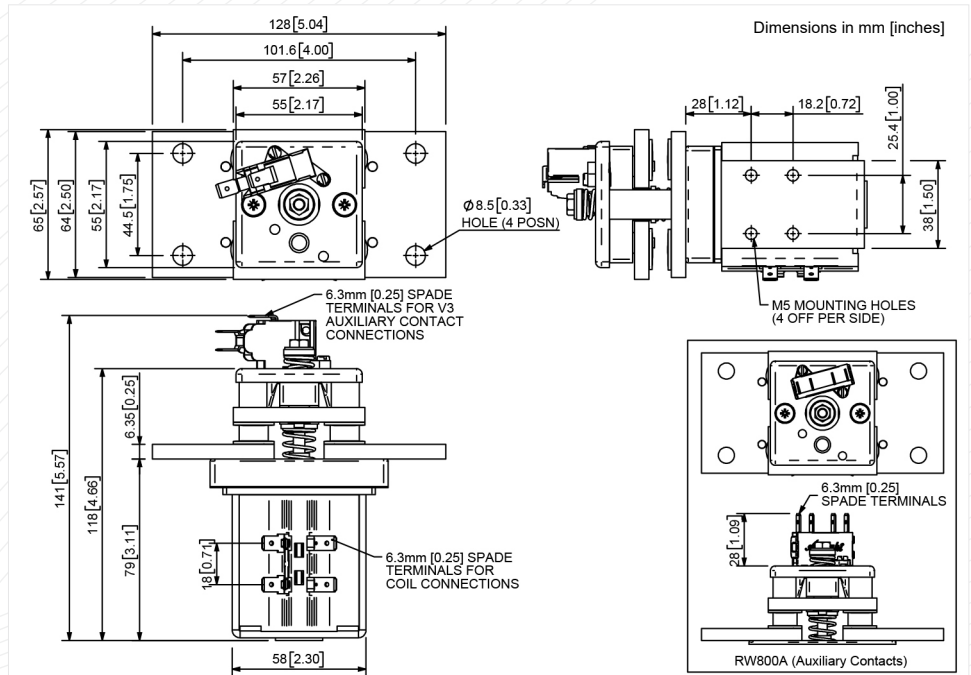
Application	Uninterrupted
Thermal Current Rating (I_{th})	800A
Intermittent Current Rating:	
30% Duty	1460A
40% Duty	1265A
50% Duty	1130A
60% Duty	1035A
70% Duty	955A
Rated Fault Current Breaking Capacity (I_{cn}) Resistive Load: (in accordance with UL508*)	
RW800	1200A at 60V D.C.
Maximum Recommended Contact Voltages (U_e):	
RW800	60V D.C.
Typical Voltage Drop per pole across New Contacts at 800A	50mV
Mechanical Durability	>1 x 10 ⁶ Cycles
Coil Voltage Available (U_s) (Rectifier board required for A.C.)	From 6 to 240V A.C./D.C.
Coil Power Dissipation:	
Highly Intermittent Rated Types	60 - 90 Watts
Intermittently Rated Types	40 - 60 Watts
Prolonged Rated Types	35 - 40 Watts
Continuously Rated Types	25 - 35 Watts
Maximum Pull-In Voltage (Coil at 20° C) Guideline:	
Highly Intermittent Rated types (Max 25% Duty Cycle)	60% U_s
Intermittently Rated types (Max 70% Duty Cycle)	60% U_s
Prolonged Operation (Max 90% Duty Cycle)	60% U_s
Continuously Rated Types (100% Duty Cycle)	66% U_s
Drop-Out Voltage Range	10 - 30% U_s
Typical Pull-In Time	40ms
Typical Drop-Out Time (N/O Contacts to Open):	
Without Suppression	10ms
With Diode Suppression	100ms
With Diode and Resistor (Subject to resistance value)	30ms
Typical Contact Bounce Period	< 5ms
Operating Ambient Temperature	- 40°C to + 60°C
Guideline Contactor Weight:	
RW800	1600 gms
With Auxiliary	+ 20 gms
Auxiliary Details	
Auxiliary Thermal Current Rating	5A
Auxiliary Contact Switching Capabilities (Resistive Load):	
RW800C	RW800A
	5A at 24V D.C.
	2A at 48V D.C.
	0.5A at 240V D.C.
Advised Connection Sizes for Maximum Continuous Current	
Copper busbar	412mm ² [0.64inch ²]
Cable	Rated suitable for Application
Key: ▲ = Uninterrupted	
Note: Where applicable values shown are at 20° C	
* Please check our web site for product UL status	

- Uninterrupted current - no or infrequent load switching requirements (maintains a lower contact resistance).

The RW800 features double breaking main contacts with silver alloy tips which are weld resistant, hard wearing and have excellent conductivity. Silver plating on the main contacts is optional for the RW800. This compact contactor can be busbar mounted vertically or horizontally, but if mounted vertically, the coil should be at the bottom. If the coil is required at the top, we can adjust the contactor to compensate for this.



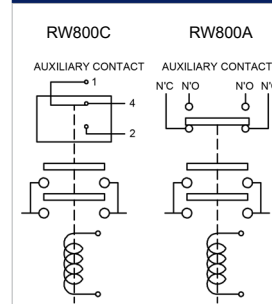
RW800



Contact Performance Key:

— Uninterrupted Current

Connection Diagram



RW800 Available Options

General	Suffix
Auxiliary Contacts	○ A
Auxiliary Contacts - V3	○ C
Magnetic Blowouts†	X
Magnetic Blowouts - High Powered†	X
Armature Cap	X
Mounting Brackets (see Busbar Series Catalogue)	○
Magnetic Latching† (Not fail safe)	○ M
Closed Contact Housing	X
Environmentally Protected IP66	X
EE Type (Steel Shroud)	X
Contacts	
Textured Tips	○ T
Silver Plating	○
Coil	
AC Rectifier Board (Fitted)	○
Coil Suppression†	○
Flying Leads	○ F
Manual Override Operation	○
M4 Stud Terminals	X
M5 Terminal Board	○
Vacuum Impregnation	○
Key: Optional ○ Standard ● Not Available X	
† Connections become polarity sensitive	

- Performance data provided should be used as a guide only. Some de-rating or variation from figures may be necessary according to application.
- Thermal current ratings stated are dependant upon the size of conductor being used
- For further technical advice email: technical@albrightinternational.com
- Albright reserve the right to change data without prior notice