

Application	Uninterrupted
Thermal Current Rating (I _{th})	125A
Intermittent Current Rating:	
30% Duty	230A
40% Duty	200A
50% Duty	175A
60% Duty	160A
70% Duty	150A
Rated Fault Current Breaking Capacity (I _{cn}) 5ms Time Constant: (in accordance with UL583*)	
RW80	600A at 48V
RW80B	600A at 96V
Rated Fault Current Breaking Capacity (I _{cn}) Resistive Load: (in accordance with UL583*)	
RW80	190A at 60V D.C.
RW80B	190A at 96V D.C.
Maximum Recommended Contact Voltages (U _e):	
RW80	60V D.C.
RW80B	96V D.C.
Typical Voltage Drop per pole across New Contacts at 125A	40mV
Mechanical Durability	>5 x 10 ⁶ Cycles
Coil Voltage Available (U _s) (Rectifier board required for A.C.)	From 6 to 240V D.C.
Coil Power Dissipation:	
Highly Intermittent Rated Types	20 - 30 Watts
Intermittently Rated types	15 - 20 Watts
Prolonged Rated Types	13 - 15 Watts
Continuously Rated Types	7 - 13 Watts
Maximum Pull-In Voltage (Coil at 20° C) Guideline:	
Highly Intermittent Rated types (Max 25% Duty Cycle)	60% U _s
Intermittently Rated types (Max 70% Duty Cycle)	60% U _s
Prolonged Operation (Max 90% Duty Cycle)	60% U _s
Continuously Rated Types (100% Duty Cycle)	66% U _s
Drop-Out Voltage Range	10 - 25% U _s
Typical Pull-In Time	20ms
Typical Drop-Out Time (N/O Contacts to Open):	
Without Suppression	5ms
With Diode Suppression	50ms
With Diode and Resistor (Subject to resistance value)	8 - 20ms
Typical Contact Bounce Period	3ms
Operating Ambient Temperature	- 40°C to + 60°C
Guideline Contactor Weight:	
RW80	350 gms
With Auxiliary	+ 20 gms
With Blowouts	+ 50 gms
Auxiliary Thermal Current Rating	5A
Auxiliary Contact Switching Capabilities (Resistive Load):	
RW80C	RW80A
5A at 24V D.C.	
2A at 48V D.C.	
0.5A at 240V D.C.	
Advised Connection Sizes for Maximum Continuous Current	
Copper busbar	80mm ² [0.124inch ²]
Cable	Rated suitable for Application

Key: ▲ = Uninterrupted

Note: Where applicable values shown are at 20° C

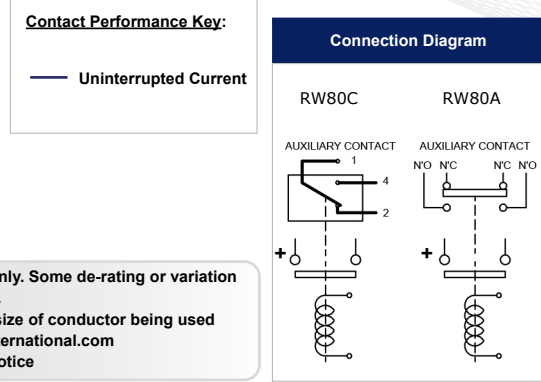
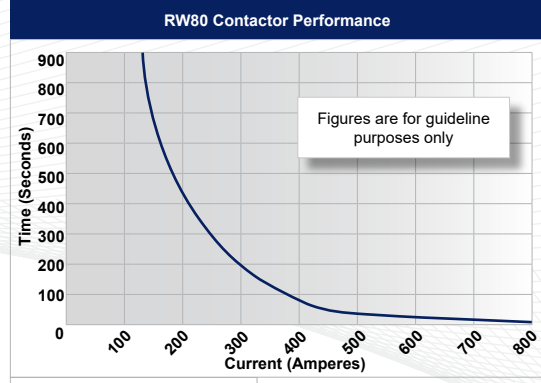
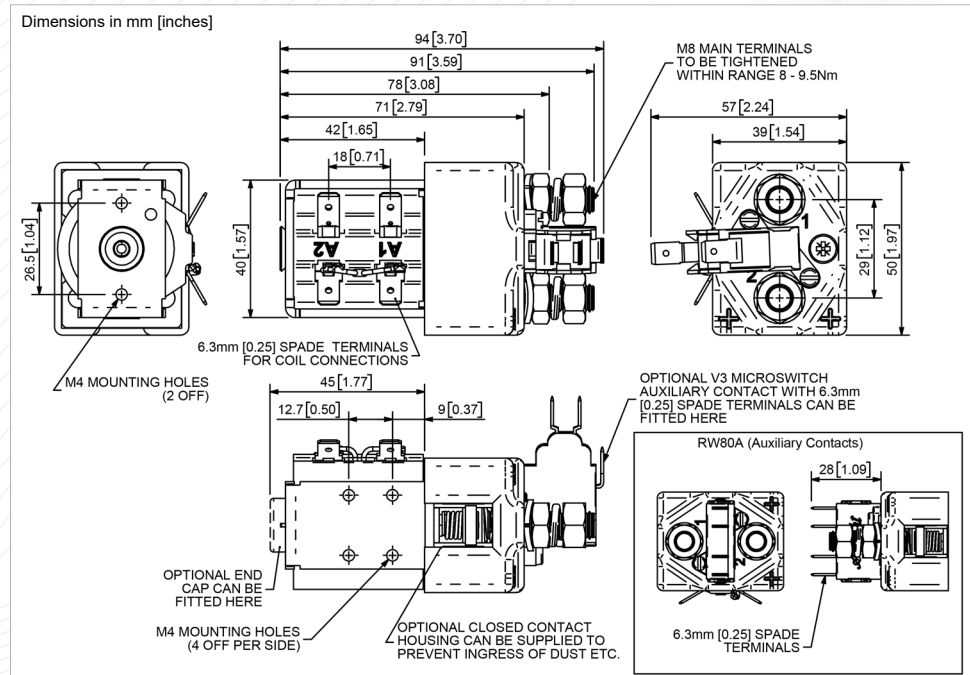
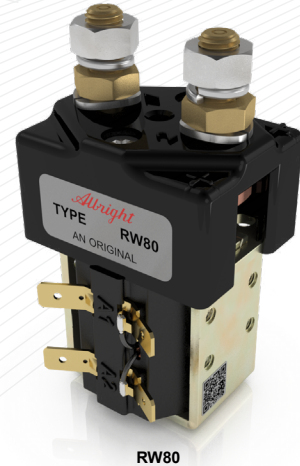
* Please check our web site for product UL status

- Performance data provided should be used as a guide only. Some de-rating or variation from figures may be necessary according to application.
- Thermal current ratings stated are dependant upon the size of conductor being used
- For further technical advice email: technical@albrightinternational.com
- Albright reserve the right to change data without prior notice

The Reduced Silver series are suitable for applications where infrequent switching is specified. In such applications the degradation of the tip is minimal and therefore a higher volume of silver is unnecessary. Developed for Uninterrupted current applications the RW80 is typically used in line contactors and Power Distribution Systems.

- Uninterrupted current - no or infrequent load switching requirements (maintains a lower contact resistance).

The RW80 features single pole double breaking main contacts with silver alloy tips, which are weld resistant, hard wearing and have excellent conductivity. The RW80 has M8 stud main terminals and 6.3mm spade coil connections. Mounting is via M4 tapped holes or mounting brackets, either supplied fitted, or as separate items. Mounting can be horizontal or vertical, when vertical the M8 contact studs should point upwards. If the requirement is for downwards orientation we can adjust the contactor to compensate for this.



RW80 Available Options		
General		Suffix
Auxiliary Contacts	<input type="radio"/>	A
Auxiliary Contacts - V3	<input type="radio"/>	C
Magnetic Blowouts†	<input type="radio"/>	B
Magnetic Blowouts - High Powered†	<input type="radio"/>	B
Armature Cap	<input type="radio"/>	
Mounting Brackets (See Stud Series Catalogue)	<input type="radio"/>	
Magnetic Latching† (Not fail safe)	<input type="radio"/>	M
Closed Contact Housing†	<input type="radio"/>	
Environmentally Protected IP66	<input type="radio"/>	P
EE Type (Steel Shroud)	<input type="radio"/>	EE
Contacts		
Textured Tips	<input type="radio"/>	T
Silver Plating	<input checked="" type="checkbox"/>	X
Coil		
AC Rectifier Board (Fitted)	<input type="radio"/>	
Coil Suppression†	<input type="radio"/>	
Flying Leads	<input type="radio"/>	F
Junior Power Timer Connector	<input type="radio"/>	
Manual Override Operation	<input type="radio"/>	
M4 Stud Terminals	<input checked="" type="checkbox"/>	X
M5 Terminal Board	<input type="radio"/>	
Vacuum Impregnation	<input type="radio"/>	

Key: ○ Optional ○ Standard ● Not Available X

† Connections become polarity sensitive

‡ Open Housing Available