

Application	Uninterrupted
Thermal Current Rating (I _{th})	200A
Intermittent Current Rating:	
30% Duty	365A
40% Duty	315A
50% Duty	285A
60% Duty	260A
70% Duty	240A
Rated Fault Current Breaking Capacity (I _{cn}) 5ms Time Constant: (in accordance with UL583*)	
RW180	1000A at 48V
RW180B	1000A at 96V
Maximum Recommended Contact Voltages (U _e):	
RW180	48V D.C.
RW180B	96V D.C.
Typical Voltage Drop per pole across New Contacts at 200A:	
Normally Open	40mV
Mechanical Durability	>5 x 10 ⁶ Cycles
Coil Voltage Available (U _s) (Rectifier board required for A.C.)	From 6 to 240V D.C.
Coil Power Dissipation:	
Highly Intermittent Rated Types	40 - 50 Watts
Intermittently Rated types	30 - 40 Watts
Prolonged Rated Types	15 - 30 Watts
Continuously Rated Types	10 - 15 Watts
Maximum Pull-In Voltage (Coil at 20° C) Guideline:	
Highly Intermittent Rated types (Max 25% Duty Cycle)	60% U _s
Intermittently Rated types (Max 70% Duty Cycle)	60% U _s
Prolonged Operation (Max 90% Duty Cycle)	60% U _s
Continuously Rated Types (100% Duty Cycle)	66% U _s
Drop-Out Voltage Range	10 - 25% U _s
Typical Pull-In Time (N/O Contacts to Close):	30ms
Typical Drop-Out Time (N/O Contacts to Open):	
Without Suppression	8ms
With Diode Suppression	60ms
With Diode and Resistor (Subject to resistance value)	25ms
Typical Contact Bounce Period	3ms
Operating Ambient Temperature	- 40°C to + 60°C
Guideline Contactor Weight:	
RW180	640 gms
With Auxiliary	+ 20 gms
With Blowouts	+ 50 gms
Auxiliary Details	
Auxiliary Thermal Current Rating	5A
Auxiliary Contact Switching Capabilities (Resistive Load):	
RW180C	RW180A
5A at 24V D.C.	
2A at 48V D.C.	
0.5A at 240V D.C.	
Advised Connection Sizes for Maximum Continuous Current	
Copper busbar	130mm ² [0.20inch ²]
Cable	Rated suitable for Application
Key: ▲ = Uninterrupted	
Note: Where applicable values shown are at 20° C	
* Please check our web site for product UL status	

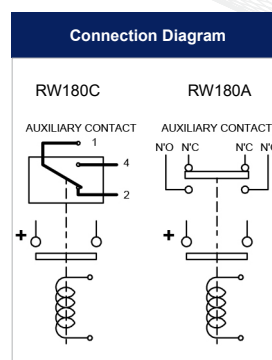
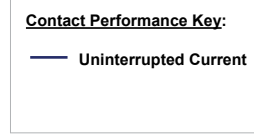
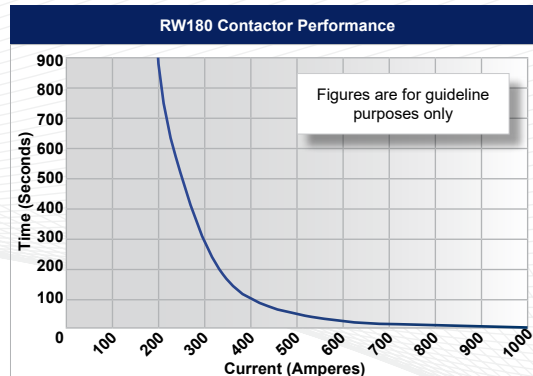
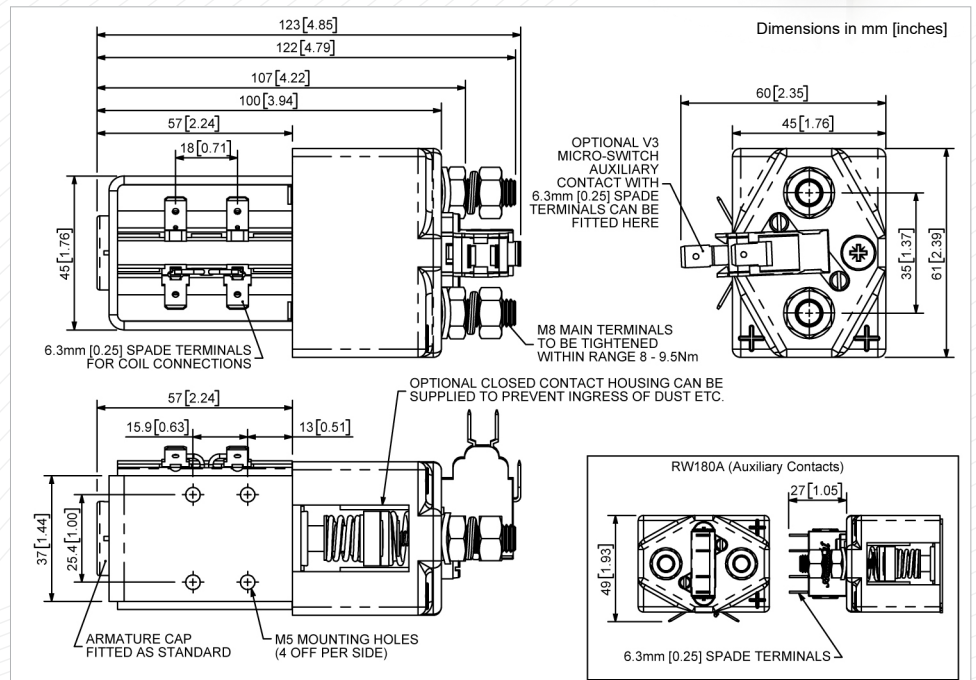
The Reduced Silver series are suitable for applications where infrequent switching is specified. In such applications the degradation of the tip is minimal and therefore a higher volume of silver is unnecessary. Developed for Uninterrupted current applications the RW180 is typically used in line contactors and Power Distribution Systems.

- Uninterrupted current - no or infrequent load switching requirements (maintains a lower contact resistance).

The RW180 features single pole single throw, double breaking main contacts with silver alloy tips, which are weld resistant, hard wearing and have excellent conductivity. The RW180 has M8 stud main terminals and 6.3mm spade coil connections. It can be mounted via M5 tapped holes or mounting brackets – either supplied fitted, or as separate items. Mounting can be horizontal or vertical, when vertical the M8 contact studs should point upwards. If the requirement is for downwards orientation we can adjust the contactor to compensate for this.



RW180



RW180 Available Options		
General		Suffix
Auxiliary Contacts	○	A
Auxiliary Contacts - V3	○	C
Magnetic Blowouts†	○	B
Magnetic Blowouts - High Powered†	○	B
Armature Cap	●	
Mounting Brackets (See Stud Series Catalogue)	○	
Magnetic Latching† (Not fail safe)	○	M
Closed Contact Housing‡	○	
Environmentally Protected IP66	X	
EE Type (Steel Shroud)	○	EE
Contacts		
Textured Tips	○	T
Silver Plating	X	
Coil		
AC Rectifier Board (Fitted)	○	
Coil Suppression†	○	
Flying Leads	○	F
Manual Override Operation	○	
M4 Stud Terminals	X	
M5 Terminal Board	○	
Vacuum Impregnation	○	
Key: Optional ○ Standard ● Not Available X		
† Connections become polarity sensitive		
‡ Open Housing Available		