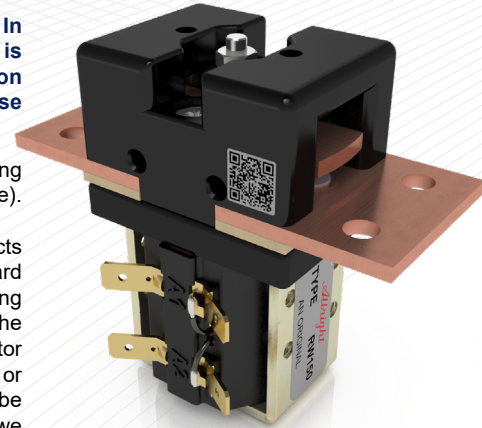


The Reduced Silver series are suitable for applications where infrequent switching is specified. In such applications the degradation of the tip is minimal and therefore a higher volume of silver is unnecessary. The RW150 is designed for use in telecommunications and power distribution applications where an uninterrupted current load is switched. These contactors are primarily for use with Direct Current loads but can also be used with Alternating Currents.

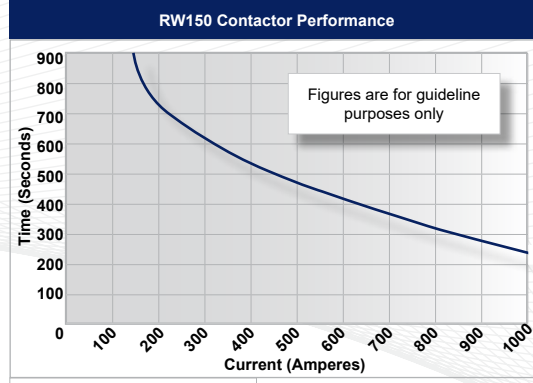
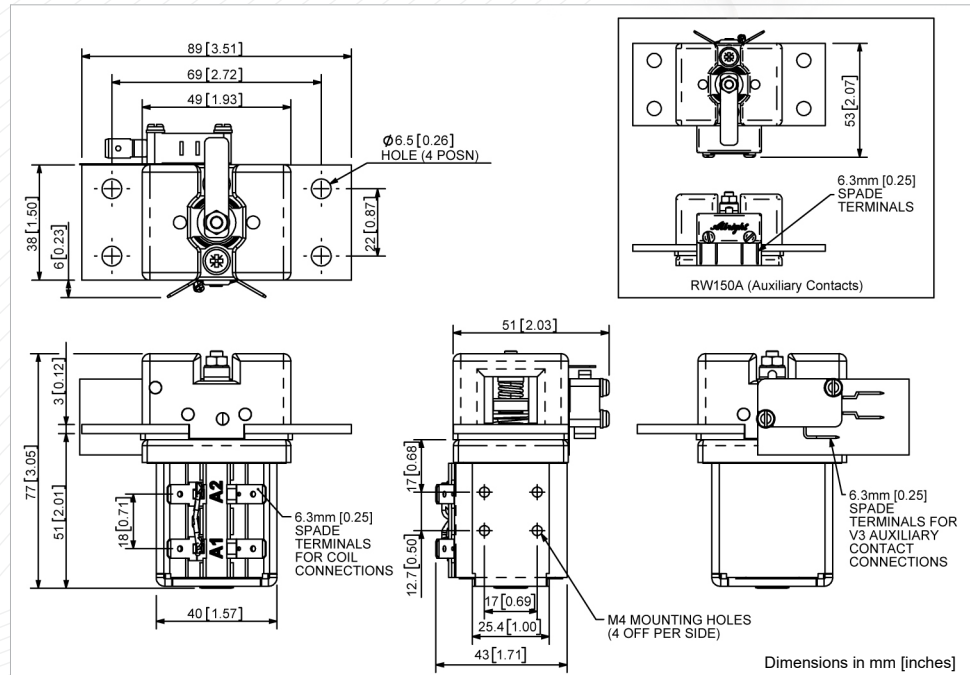


RW150

Application	Uninterrupted
Thermal Current Rating ( $I_{th}$ )	150A
Intermittent Current Rating:	
30% Duty	275A
40% Duty	235A
50% Duty	210A
60% Duty	195A
70% Duty	180A
Rated Fault Current Breaking Capacity ( $I_{cn}$ ) Resistive Load: (in accordance with UL508*)	
RW150	225A at 60V D.C.
Maximum Recommended Contact Voltages ( $U_e$ ):	
RW150	60V D.C.
Typical Voltage Drop per pole across New Contacts at 150A	50mV
Mechanical Durability	>1 x 10 <sup>6</sup> Cycles
Coil Voltage Available ( $U_s$ ) (Rectifier board required for A.C.)	From 6 to 240V A.C./D.C.
Coil Power Dissipation:	
Highly Intermittent Rated Types	20 - 30 Watts
Intermittently Rated types	15 - 20 Watts
Prolonged Rated Types	13 - 15 Watts
Continuously Rated Types	7 - 13 Watts
Maximum Pull-In Voltage (Coil at 20° C) Guideline:	
Highly Intermittent Rated types (Max 25% Duty Cycle)	60% $U_s$
Intermittently Rated types (Max 70% Duty Cycle)	60% $U_s$
Prolonged Operation (Max 90% Duty Cycle)	60% $U_s$
Continuously Rated Types (100% Duty Cycle)	66% $U_s$
Drop-Out Voltage Range	10 - 30% $U_s$
Typical Pull-In Time	15ms
Typical Drop-Out Time (N/O Contacts to Open):	
Without Suppression	6ms
With Diode Suppression	35ms
With Diode and Resistor (Subject to resistance value)	5 - 20ms
Typical Contact Bounce Period	< 5ms
Operating Ambient Temperature	- 40°C to + 60°C
Guideline Contactor Weight:	
RW150	410 gms
With Auxiliary	+ 20 gms
<b>Auxiliary Details</b>	
Auxiliary Thermal Current Rating	5A
<b>Auxiliary Contact Switching Capabilities (Resistive Load):</b>	
RW150C	RW150A
5A at 24V D.C.	
2A at 48V D.C.	
0.5A at 240V D.C.	
<b>Advised Connection Sizes for Maximum Continuous Current</b>	
Copper busbar	114mm <sup>2</sup> [0.177inch <sup>2</sup> ]
Cable	Rated suitable for Application

• Uninterrupted current - no or infrequent load switching requirements (maintains a lower contact resistance).

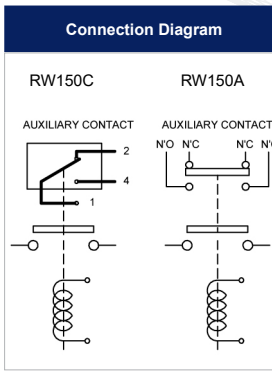
The RW150 features double breaking main contacts with silver alloy tips which are weld resistant, hard wearing and have excellent conductivity. Silver plating on the main contacts is optional for the RW150. The RW150 is a compact contactor which can be busbar mounted vertically or horizontally, if mounted vertically the coil should be at the bottom. If the coil is required at the top, we can adjust the contactor to compensate for this.



RW150 Available Options		
General		Suffix
Auxiliary Contacts	○	A
Auxiliary Contacts - V3	○	C
Magnetic Blowouts†	X	
Magnetic Blowouts - High Powered†	X	
Armature Cap	X	
Mounting Brackets (see Busbar Series Catalogue)	○	
Magnetic Latching† (Not fail safe)	○	M
Closed Contact Housing	X	
Environmentally Protected IP66	X	
EE Type (Steel Shroud)	X	

**Contact Performance Key:**

— Uninterrupted Current



Contacts		
Textured Tips	○	T
Silver Plating	○	
Coil		
AC Rectifier Board (Fitted)	○	
Coil Suppression†	○	
Flying Leads	○	F
Manual Override Operation	○	
M4 Stud Terminals	X	
M5 Terminal Board	○	
Vacuum Impregnation	○	

**Key:** Optional ○ Standard ● Not Available X

† Connections become polarity sensitive

**Key:** ▲ = Uninterrupted

**Note:** Where applicable values shown are at 20° C

\* Please check our web site for product UL status

- Performance data provided should be used as a guide only. Some de-rating or variation from figures may be necessary according to application.
- Thermal current ratings stated are dependant upon the size of conductor being used
- For further technical advice email: [technical@albrightinternational.com](mailto:technical@albrightinternational.com)
- Albright reserve the right to change data without prior notice