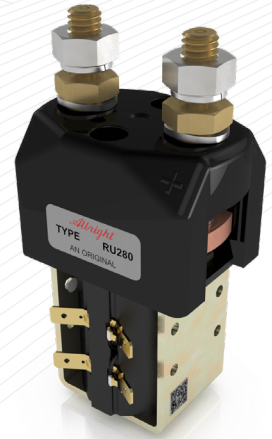


Application	Uninterrupted
Thermal Current Rating (¹ th)	350A
Intermittent Current Rating:	
30% Duty	640A
40% Duty	555A
50% Duty	495A
60% Duty	450A
70% Duty	420A
Rated Fault Current Breaking Capacity (¹ cn) 5ms Time Constant: (in accordance with UL583*)	
RU280	1500A at 48V D.C.
RU280B	1500A at 80V D.C.
Rated Fault Current Breaking Capacity (¹ cn) Resistive Load: (in accordance with UL508*)	
RU280	525A at 60V D.C.
RU280B	525A at 96V D.C.
Maximum Recommended Contact Voltages (U _c):	
RU280	60V D.C.
RU280B	96V D.C.
Typical Voltage Drop per pole across New Contacts at 350A	40mV
Mechanical Durability	>3 x 10 ⁶ Cycles
Coil Voltage Available (U _s) (Rectifier board required for A.C.)	From 6 to 240V A.C./D.C.
Coil Power Dissipation:	
Highly Intermittent Rated Types	40 - 50 Watts
Intermittently Rated types	30 - 40 Watts
Prolonged Rated Types	15 - 30 Watts
Continuously Rated Types	10 - 15 Watts
Maximum Pull-In Voltage (Coil at 20° C) Guideline:	
Highly Intermittent Rated types (Max 25% Duty Cycle)	60% U _s
Intermittently Rated types (Max 70% Duty Cycle)	60% U _s
Prolonged Operation (Max 90% Duty Cycle)	60% U _s
Continuously Rated Types (100% Duty Cycle)	66% U _s
Drop-Out Voltage Range	10 - 25% U _s
Typical Pull-In Time	30ms
Typical Drop-Out Time (N/O Contacts to Open):	
Without Suppression	8ms
With Diode Suppression	60ms
With Diode and Resistor (Subject to resistance value)	25ms
Typical Contact Bounce Period	3ms
Operating Ambient Temperature	-40°C to +60°C
Guideline Contactor Weight:	
RU280	755 gms
With Auxiliary	+ 20 gms
With Blowouts	+ 50 gms
Auxiliary Details	
Auxiliary Thermal Current Rating	5A
Auxiliary Contact Switching Capabilities (Resistive Load):	
RU280C	RU280A
5A at 24V D.C.	
2A at 48V D.C.	
0.5A at 240V D.C.	
Advised Connection Sizes for Maximum Continuous Current	
Copper busbar	228mm ² [0.353 inch ²]
Cable	Rated suitable for Application
Key: ▲ = Uninterrupted	
Note: Where applicable values shown are at 20° C	
* Please check our web site for product UL status	

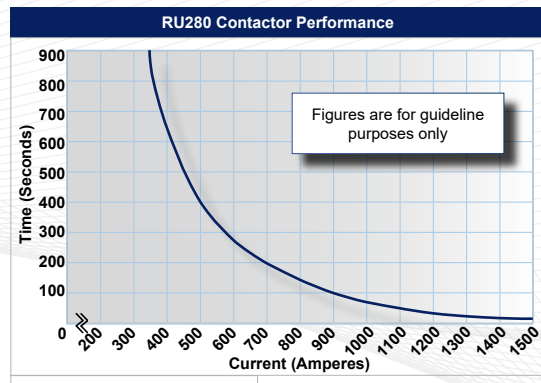
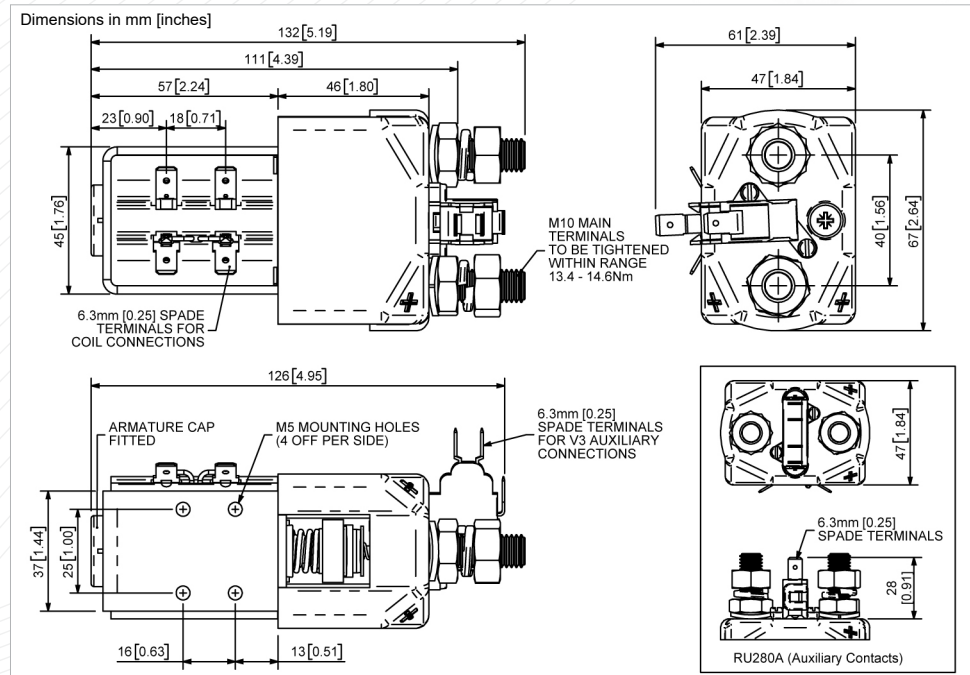
The Reduced Silver series are suitable for applications where infrequent switching is specified. In such applications the degradation of the tip is minimal and therefore a higher volume of silver is unnecessary. Developed for Uninterrupted current applications the RU280 is typically used in line contactors or Power Distribution Systems.

- Uninterrupted current - no or infrequent load switching requirements (maintains a lower contact resistance).

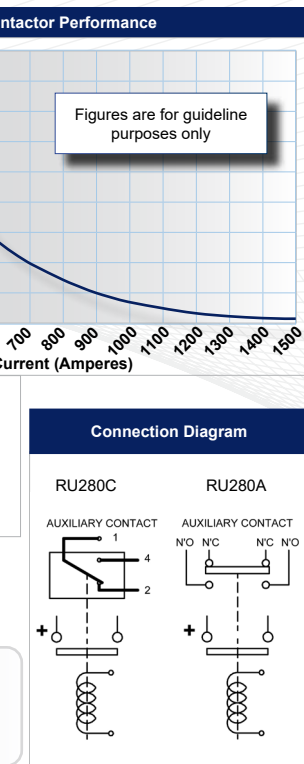
The contactors have double breaking main contacts with silver alloy tips, which are weld resistant, hard wearing and have excellent conductivity. They are easy to install, with M5 tapped holes in the switch frame together with a range of mounting brackets. Mounting can be vertical or horizontal, when vertical the M10 contact studs should point upwards. If the requirement is for downwards orientation we can adjust the contactor to compensate for this.



RU280



Contact Performance Key:



RU280 Available Options		
General		Suffix
Auxiliary Contacts	○	A
Auxiliary Contacts - V3	○	C
Magnetic Blowouts†	○	B
Magnetic Blowouts - High Powered†	○	B
Armature Cap	●	
Mounting Brackets	○	
Magnetic Latching† (Not fail safe)	○	M
Closed Contact Housing	○	
Environmentally Protected IP66	○	P
EE Type (Steel Shroud)	○	EE
Contacts		
Textured Tips	○	T
Silver Plating	X	
Coil		
AC Rectifier Board (Fitted)	○	
Coil Suppression†	○	
Flying Leads	○	F
Junior Power Timer Connector	○	
Manual Override Operation	○	
M4 Stud Terminals	X	
M5 Terminal Board	○	
Vacuum Impregnation	○	
Key: Optional ○ Standard ● Not Available X		
† Connections become polarity sensitive		

- Performance data provided should be used as a guide only. Some de-rating or variation from figures may be necessary according to application.
- Thermal current ratings stated are dependant upon the size of conductor being used
- For further technical advice email: technical@albrightinternational.com
- Albright reserve the right to change data without prior notice