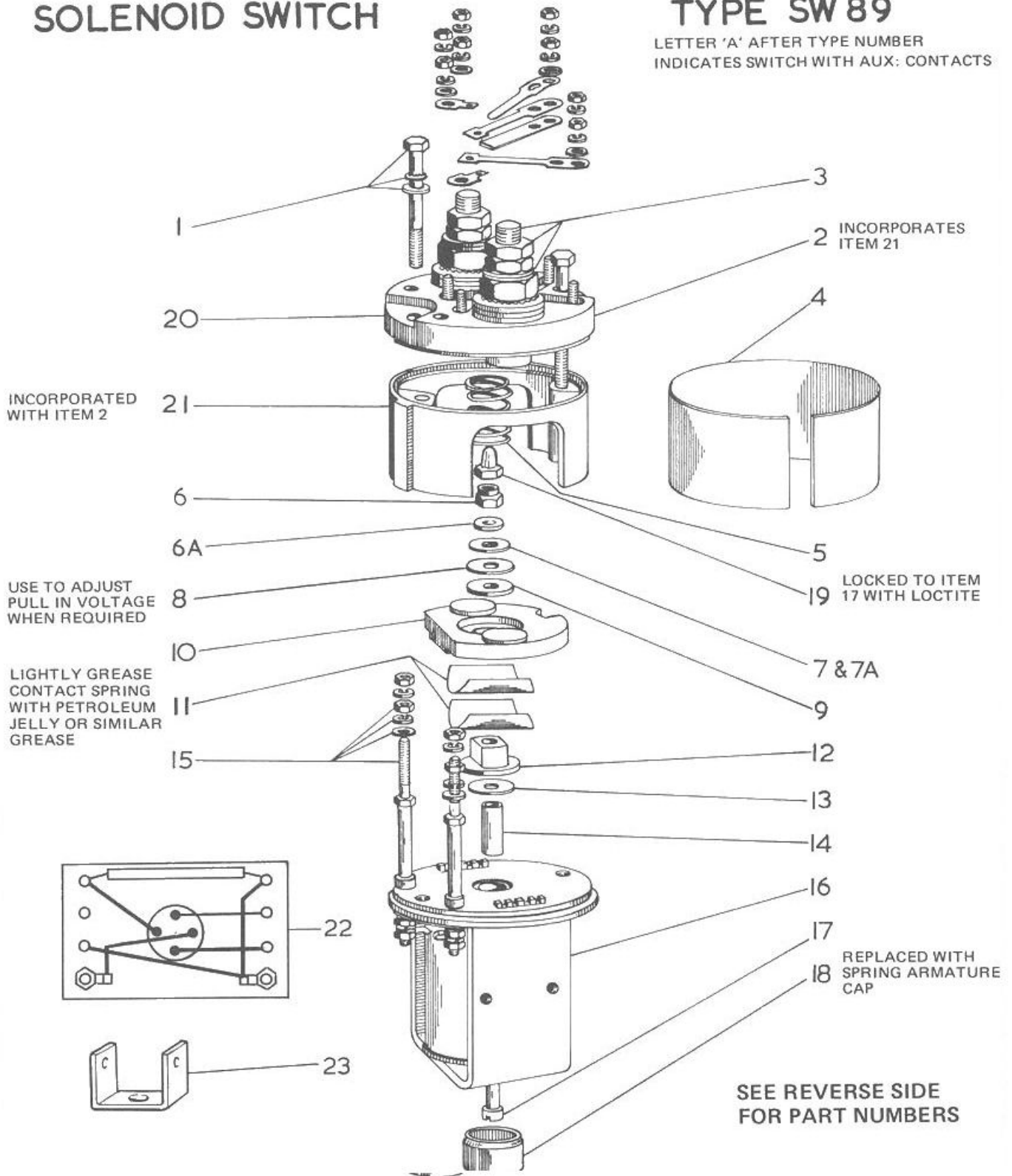


SOLENOID SWITCH

TYPE SW 89

LETTER 'A' AFTER TYPE NUMBER
 INDICATES SWITCH WITH AUX: CONTACTS



Spare Parts for Solenoid Switch Type SW89 and SW89A

Types SW.89-1 TO SW. 89-87 INCLUSIVE

Item	Part No	Switch Type	No Off	Item	Part No.	Switch Type	No Off
1	COVER SCREW, with washers 2065-66.....	SW.89, SW.89A std.	2	2065-24E (S'Cad ox).....	SW.89A-83, SW.89-86		1
2	BAKELITE COVER (incorporates item 21) 2065-171B..... 2065-171C..... 2065-171E..... 2065-171H.....	SW.89 std. SW.89A std. SW.89A-85 SW.89A-5, 11, 58 82	1 1 1 1	11	CONTACT SPRING 2028-43 (2 lb 13 oz).....	SW.89, SW.89A std.	2
3	TERMINAL CONTACTS, (fixed) with nuts and washers 2065-111 (Sil.) (plated)..... 2065-111A (S'Tun) (plated)..... 2065-111E (S'Cad ox)..... (plated)	SW.89-2, 3, 8, 53, 84 SW.89A-25, 80 SW.89, SW.89A std. SW.89A-83, SW.89-86	2 2 2	12	CONTACT BUSH 2028-24A.....	SW.89, SW.89A, std.	1
4	SPRING COVER 2065-27.....	SW.89, SW.89A std.	1	13	STOP WASHER (for moving contact) 2028-10C (plated).....	SW.89, SW.89A std.	1
5	RETURN SPRING 2065-43 (17G).....	SW.88A-4, 17, 26, 29 30, 36, 37, 39, 40, 48 52, 70, 73, 77 SW.89-1, 7, 16, 20, 21 32, 33, 38, 42, 46, 55 63, 74, 75, 81, 87 SW.89, SW.89A std.	1 1 1	14	SPACING TUBE (for armature bolt) 2065-12 (.680)..... 2065-12C (.665)..... 2065-12D (.653).....	SW.89-63, 87 SW.89, SW.89A std. SW.89A-56	1 1 1
6	ARMATURE NUT 2028-164A..... 2065-68A.....	SW.89A std. SW.89 std.	1 1	15	COIL TERMINAL with bush, nuts, etc. 2065-145 (plated)..... Not required on..... 2065-175.....	SW.89, SW.89A std. SW.89A-52, 69, 80, 83, 86, SW.89-63, 84 SW.89-61	2 2
6A	ARMATURE NUT WASHER 2089-8.....	SW.89, SW.89A std.	1	16	FRAME, with coil, armature and terminals State symbol No. of switch		1
7	LOCATING WASHER (for return spring) 2065-161.....	SW.89, SW.89A std.	1	17	ARMATURE BOLT 2028-52A (plated).....	SW.89, SW.89A std.	1
7A	ADJUSTING WASHER (for plunger) 2065-161A.....	SW.89 SW.89A	1 As reqd.	18	SPRING ARMATURE CAP 2065-146.....	SW.89, SW.89A std.	1
8	ADJUSTING WASHER (for pull-in) 2028-11A.....	SW.89, SW.89A std.	As reqd.	19	AUXILIARY CONTACT PLUNGER 2065-151.....	SW.89A std.	1
9	CONTACT RETAINING WASHER 2028-11B.....	SW.89, SW.89A std.	2	20	ASS. TOP COVER, complete with aux. contacts & main terminals State symbol No. of switch		1
10	MOVING CONTACT 2065-24B (S'Tun) (plated)..... 2065-24C (Sil.) (plated).....	SW.89, SW.89A std. SW.89-2, 3, 8, 53, 84, SW.89A-25, 80	1 1	21	CONTACT HOUSING MOULDING Incorporated with item 2		1
				22	RECTIFIER ASSEMBLY 2045-61C..... 2065-170A.....	SW.89A-52 SW.89-84, SW.89A-69, 80, 83	1 1
				23	AMP CONNECTOR 2065-144.....	SW.89-19, 21, 27, 42, 44, 50, 54, 55, 65, 66, 68, 71, 72, 74, 75, 76, 79, 81 SW.89A-77, 78	2