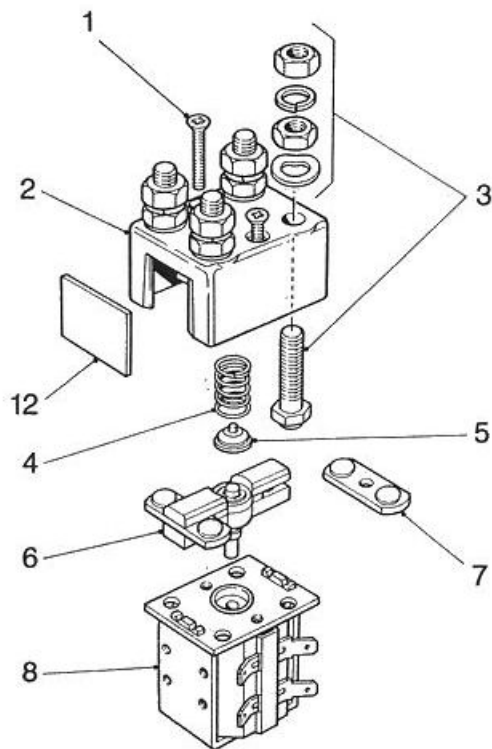
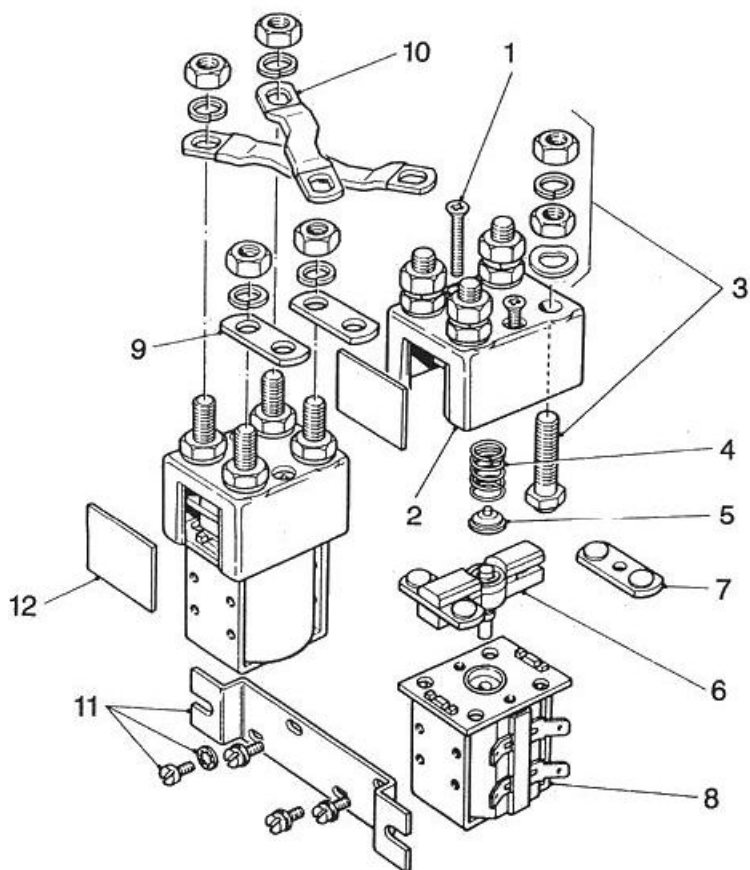


## SW82



## SW822



# Spare parts for Solenoid Switch types SW82 and SW822

*Suffix 'L' indicates large contact tips*

SW82 and SW822						
Item	Part No.	Description	Quantity			
			SW82	SW82L	SW822	SW822L
1	2070-19	Top Cover Fixing Screw	2	2	4	4
2	2070-61	Top Cover	1	1	2	2
3	2070-46	Fixed Contact Assembly	4	–	8	–
	2070-85	Fixed Contact Assembly	–	4	–	8
4*	–	Return Spring	1	1	2	2
5	2070-15	Return Spring Insulator	1	1	2	2
6	2070-72B	Moving Contact Assembly (less contacts)	1	1	2	2
7	2070-71	Moving Contact	2	–	4	–
	2070-84	Moving Contact	–	2	–	4
8*	–	Assembled Coil and Magnet Frame	1	1	2	2
9	2159-85	Link (Short)	–	–	2	2
10	2070-105	Link (Long)	–	–	2	2
11	2070-41	Mounting Bracket (including screws)	–	–	1	1
12	2070-75	Dust Shield – optional	2	2	4	4
13	2070-90	Spare Contact Kit	1	–	2	–
14	2070-90A	Spare Contact Kit	–	1	–	2

\* When ordering these items please state full type number of contactor for which items are required.

Note: M8 nuts to item 3 should be tightened to a torque of 8 to 9.5 Nm.

ALBRIGHT INTERNATIONAL LTD.

125 Red Lion Road, Surbiton, Surrey, KT6 7QS, England.

Tel: +44 (0) 20 8390 5357 Fax: +44 (0) 20 8390 1927 Email: Technical: [technical@albright.co.uk](mailto:technical@albright.co.uk) Sales: [sales@albright.co.uk](mailto:sales@albright.co.uk)

Sept 07