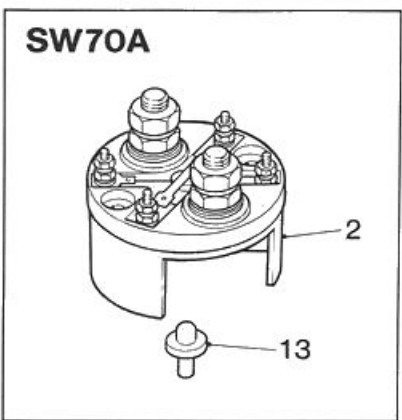
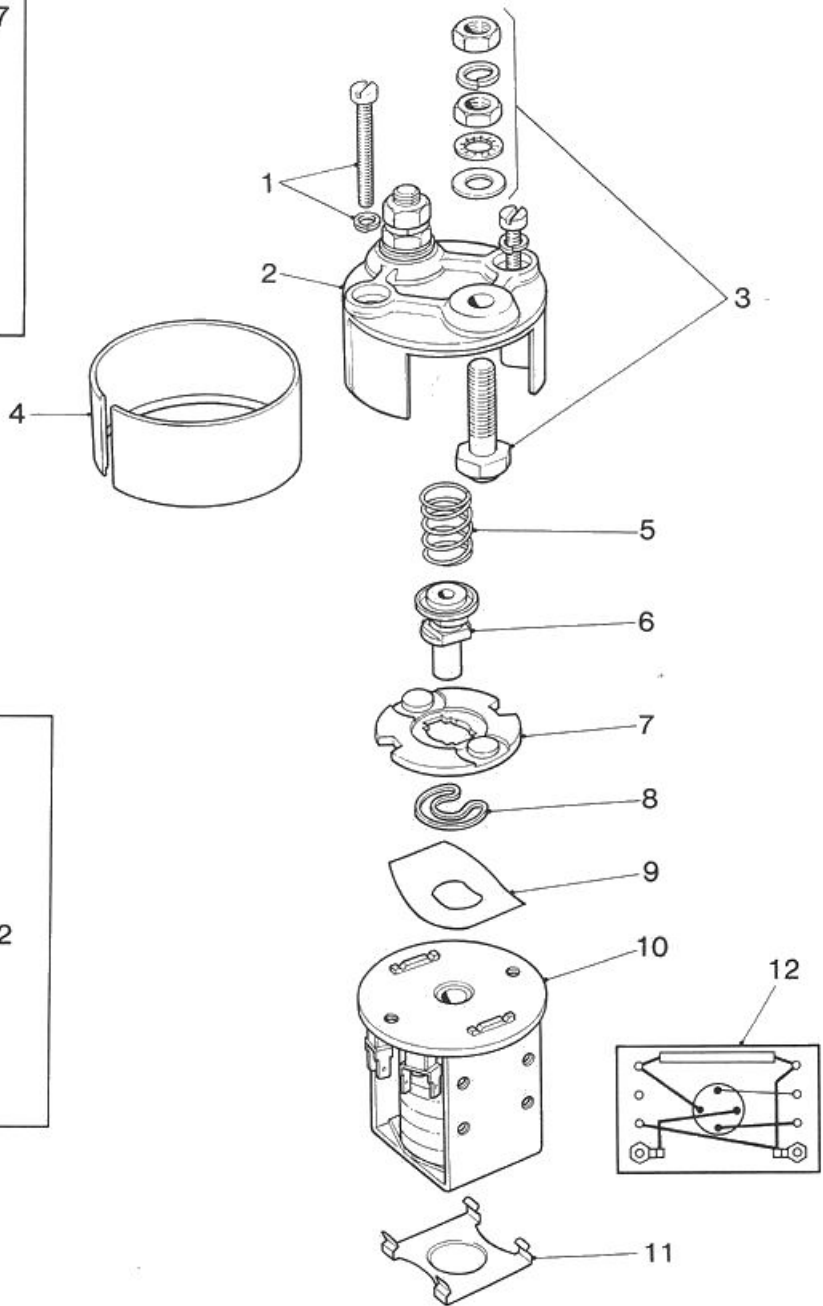
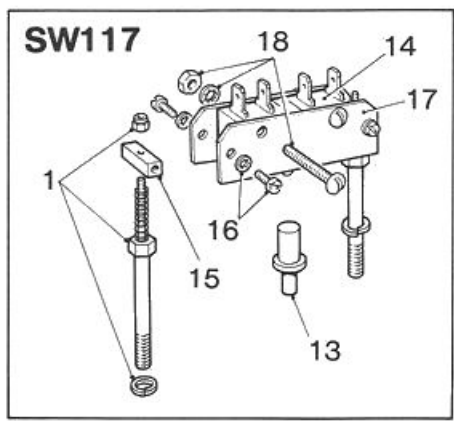


SOLENOID SWITCH TYPES SW62A, SW70A and SW117



Spare parts for Solenoid Switch types SW62A, SW70A and SW117

Item	Part Number and Description	Quantity per Switch		
		SW62A	SW70A	SW117
1	Top Cover Screw c/w Washer	2	2	-
	2028-513	-	-	2
2	Top Cover	1	-	-
	2028-23A	-	-	1
	2028-23B	-	1	-
	2028-247 c/w Auxiliary Contacts	-	1	-
✓ 3	Terminal Contact Assembly	2	2	2
	2028-512			
4	Spring Cover	1	1	1
	2028-563			
5	Return Spring	1	1	1
	(Please state full type number of switch)			
	eg SW62A-58M			
6	Moving Contact Bush	1	1	1
	2028-417			
✓ 7	Moving Contact	1	1	1
	2028-48			
8	Circlip	1	1	1
	2028-486			
9	Contact Spring	1	1	1
	2028-43 (3lb 14oz)			
10	Assembled Coil and Magnet Frame	1	1	1
	(Please state full type number of switch)			
	eg SW62A-58M			
11	Spring Armature Cap	1	1	1
	2028-422			
12	Rectifier Assembly	As req'd	As req'd	As req'd
	(Please state full type number of switch)			
	eg SW62A-108M			
13	Auxiliary Contact Plunger	-	1	-
	2028-418	-	-	1
	2028-457			
14	Micro Switch	-	-	1
	2114-21			
15	Micro Switch Spacer	-	-	2
	2028-453			
16	Fixing Screw c/w Washer	-	-	4
	2028-483			
17	Insulator	-	-	2
	2028-455			
18	Micro Switch Fixing Screw c/w Nut and Washer	-	-	2
	2028-482			