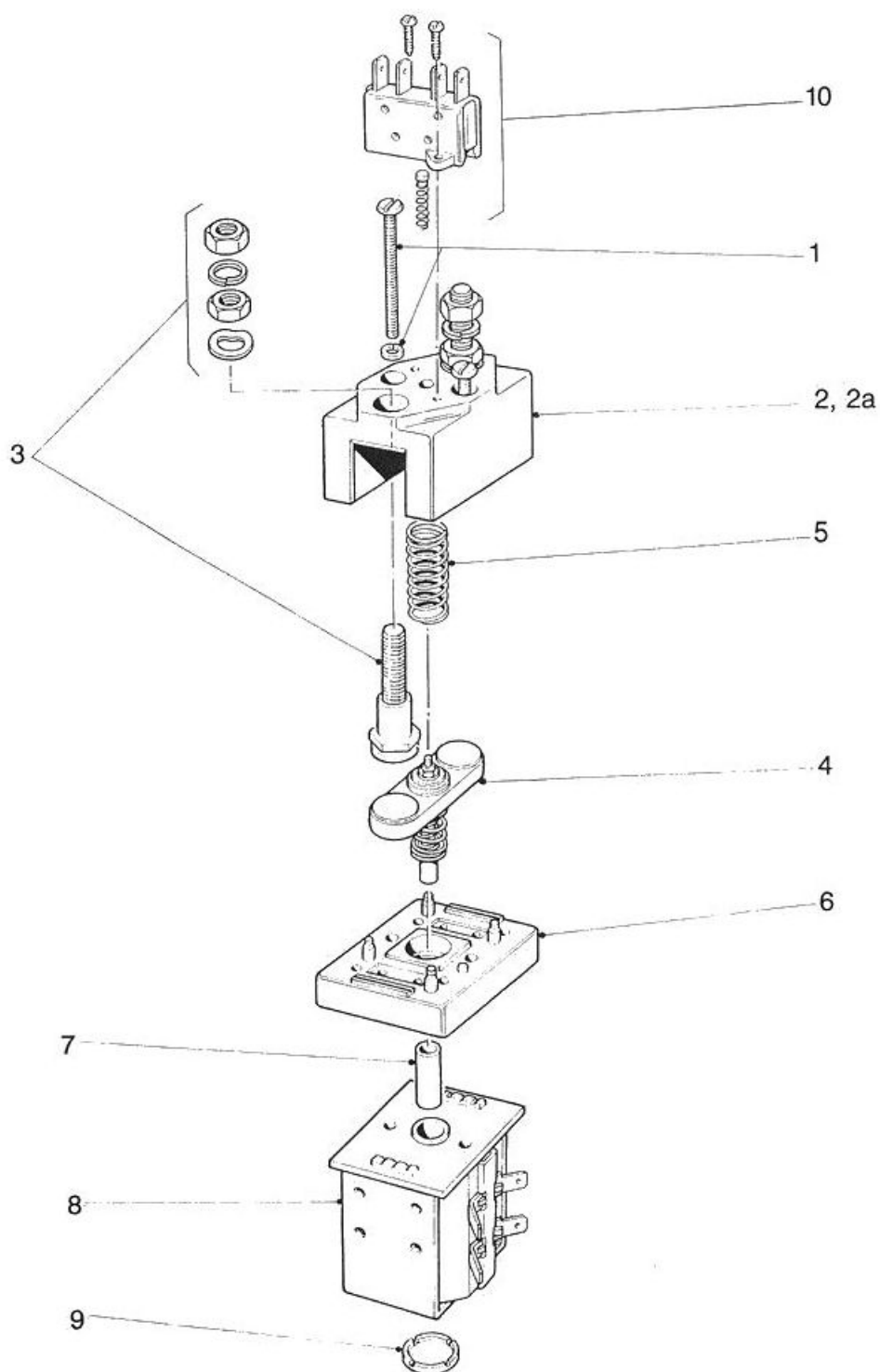




SPARE PARTS FOR SOLENOID SWITCH TYPE SW200



Spare parts for Solenoid Switch type SW200

Suffix 'A' indicates contactor built with auxiliary contacts

Suffix 'N' indicates contactor built without permanent magnetic blowouts

SW200

Item	Part No.	Description	Quantity
1	2155-22	Top Cover Screw with Lock Washer	2
2	2155-3	Top Cover Moulding (SW200N)	1
	2155-65	Top Cover Moulding (SW200)	1
	2155-3C	Top Cover Moulding (SW200AN)	1
	2155-65B	Top Cover Moulding (SW200A)	1
2a	2155-3J	Top Cover Moulding Enclosed – optional (SW200N)	1
	2155-65G	Top Cover Moulding Enclosed – optional (SW200)	1
	2155-3L	Top Cover Moulding Enclosed – optional (SW200AN)	1
	2155-65R	Top Cover Moulding Enclosed – optional (SW200A)	1
2 & 3	2155-20D	Top Cover Moulding with fixed contacts 2155-19 (SW200N)	1
	2155-20	Top Cover Moulding with fixed contacts 2155-19 (SW200)	1
	2155-20E	Top Cover Moulding with fixed contacts 2155-19 (SW200AN)	1
	2155-20C	Top Cover Moulding with fixed contacts 2155-19 (SW200A)	1
2a&3	2155-20N	Top Cover Moulding Enclosed with fixed contacts 2155-19 – optional (SW200N)	1
	2155-20AA	Top Cover Moulding Enclosed with fixed contacts 2155-19 – optional (SW200)	1
	2155-20R	Top Cover Moulding Enclosed with fixed contacts 2155-19 – optional (SW200AN)	1
	2155-20AC	Top Cover Moulding Enclosed with fixed contacts 2155-19 – optional (SW200A)	1
3	2155-19	Fixed Contact with nuts and washers	2
3 & 4	2155-99	Spare Contact Kit comprising two fixed contacts, 2155-19 and one Moving Contact Assembly, 2155-23	1
4	2155-23	Moving Contact Assembly complete with contact spring bushes and insulated parts	1
5*	2155-126	Return Spring	1
6	2155-2	Top Cover Base Moulding (SW200)	1
	2155-2A	Top Cover Base Moulding (SW200-1, 6)	
7	2155-7	Moving Contact Plunger, included in Moving Contact Assembly 2155-23	1
8*	2155-53	Assembled Coil and Magnet Frame	1
9	2155-281	End Cap	1
10	2155-202	Auxiliary Contact Kit (SW200A)	1

* When ordering these items please state full type number of contactor for which items are required.

Note: M10 nuts to item 3 should be tightened to a torque of 13.4 to 14.6 Nm.

ALBRIGHT INTERNATIONAL LTD.

125 Red Lion Road, Surbiton, Surrey, KT6 7QS, England.

Tel: +44 (0) 20 8390 5357 Fax: +44 (0) 20 8390 1927 Email: Technical: technical@albright.co.uk Sales: sales@albright.co.uk

Sept 07