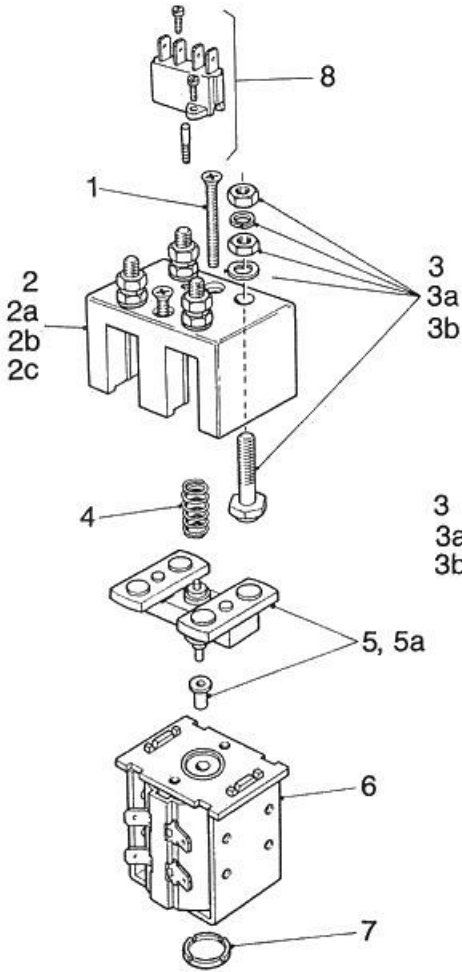


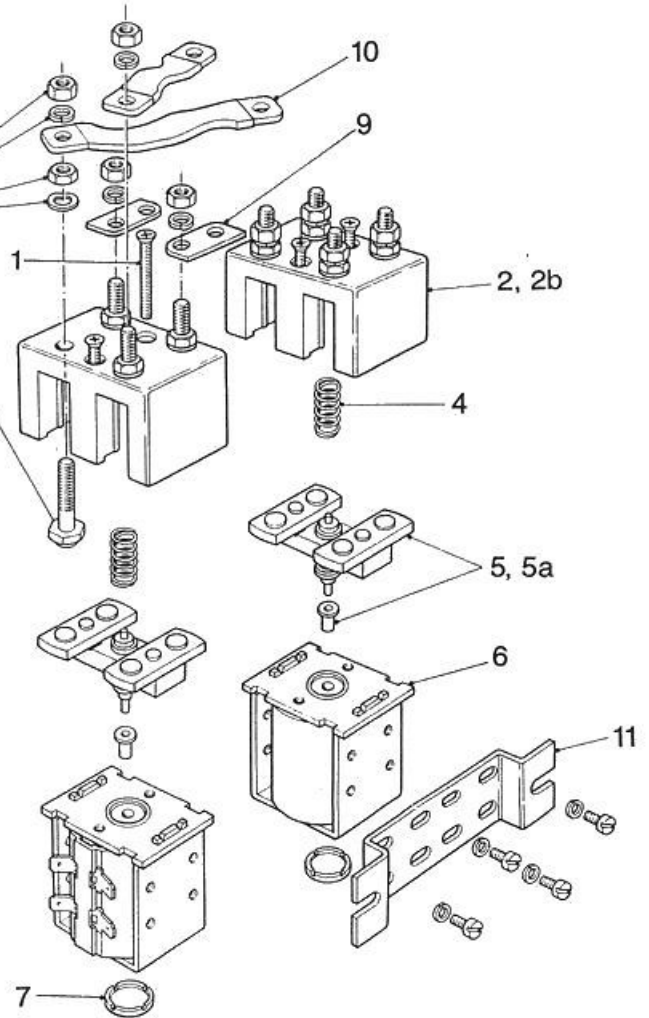


# SPARE PARTS FOR SOLENOID SWITCH TYPES SW190 and SW192

**SW190**



**SW192**



## Spare parts for Solenoid Switch types SW190 and SW192

*Suffix 'A' indicates with auxiliary contacts*  
*Suffix 'B' indicates with magnetic blowouts*  
*Suffix 'L' indicates with large contact tips*

### SW190 and SW192

Item	Part No.	Description	Quantity	
			SW190	SW192
1	2180-38	Top Cover Fixing Screw	2	4
2	2180-151	Top Cover	1	2
2a	2180-363C	Top Cover (SW190A)	1	–
2b	2180-363A	Top Cover (SW190B & SW192B)	1	2
2c	2180-363B	Top Cover (SW190AB)	1	–
3	2180-102	Fixed Contact Assembly	4	8
3a	2180-26	Fixed Contact Assembly (SW190L & SW192L)	4	8
3b	2180-102A	Fixed Contact Assembly (SW190 & SW192, 13mm longer thread)	4	8
4*	2114-19	Return Spring	1	2
5	2180-166	Moving Contact Assembly	1	2
5a	2180-167	Moving Contact Assembly (SW190L & SW192L)	1	2
6*	2180-40	Assembled Coil and Magnet Frame	1	2
7	2180-246	End Cap	1	2
8	2180-172	Auxiliary Contact Kit (SW190A)	1	–
9	2180-162	Link (Small)	–	2
10	2180-165	Link (Long)	–	2
11	2159-39	Mounting Bracket including screws	–	1
12	2180-362	Spare Contact Kit (SW190 & SW192)	1	2
12a	2180-362A	Spare Contact Kit (SW190L & SW192L)	1	2

\* When ordering these items please state full type number of contactor for which items are required.

Note: M8 nuts to items 3, 3a and 3b should be tightened to a torque of 8 to 9.5 Nm.

ALBRIGHT INTERNATIONAL LTD.

125 Red Lion Road, Surbiton, Surrey, KT6 7QS, England.

Tel: +44 (0) 20 8390 5357 Fax: +44 (0) 20 8390 1927 Email: Technical: [technical@albright.co.uk](mailto:technical@albright.co.uk) Sales: [sales@albright.co.uk](mailto:sales@albright.co.uk)

Sept 07