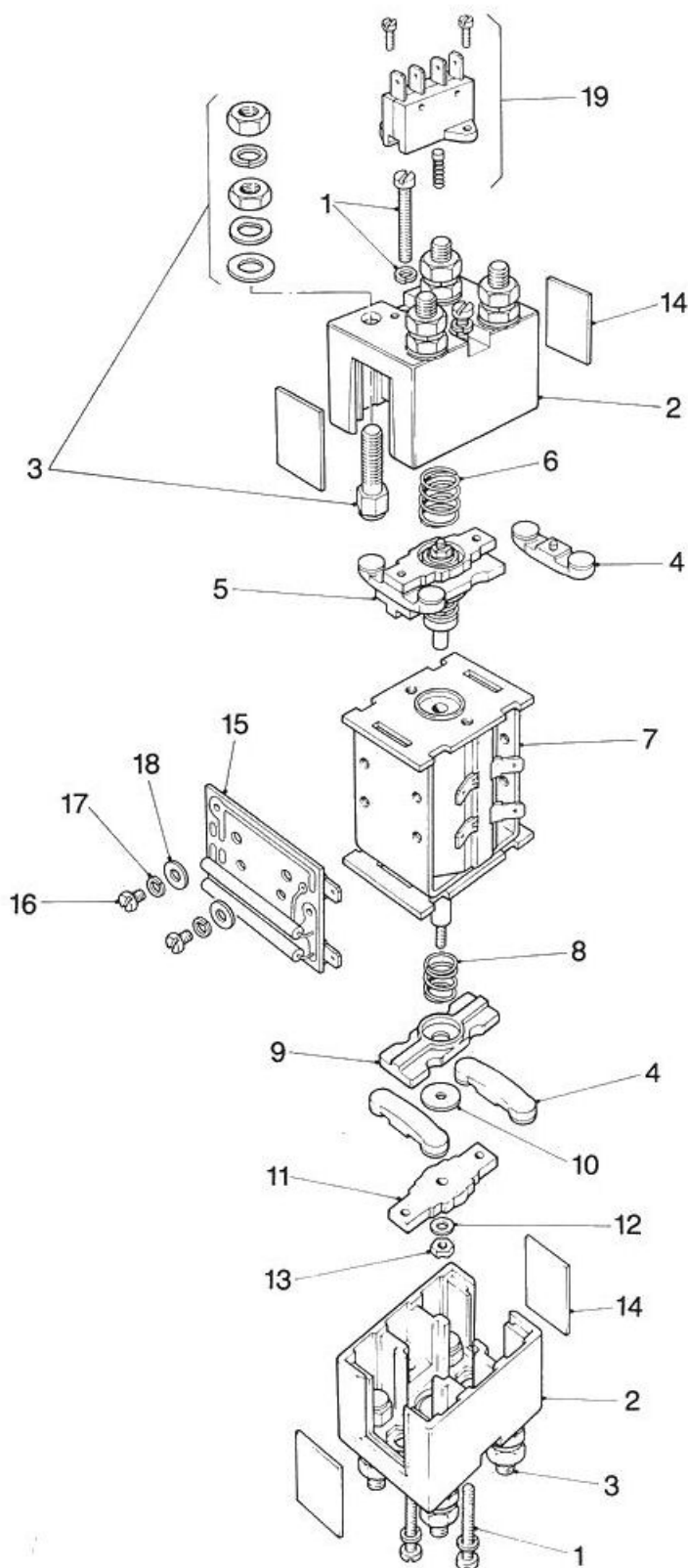




SPARE PARTS FOR SOLENOID SWITCH TYPE SW121



ALBRIGHT INTERNATIONAL LTD.

125 Red Lion Road, Surbiton, Surrey, KT6 7QS, England.

Tel: +44 (0) 20 8390 5357 Fax: +44 (0) 20 8390 1927

Email: Technical: technical@albright.co.uk

Sales: sales@albright.co.uk

Sept 07

Spare parts for Solenoid Switch type SW121

Suffix 'A' indicates with auxiliary contacts
Suffix 'E' indicates with economy resistors

SW121			
Item	Part No.	Description	Quantity
1	2159-22	Top Cover Screw with Lock Washer	4
2	2159-72	Top Cover Moulding (SW121, n/o End)	1
	2159-72A	Top Cover Moulding (SW121, SW121A & SW121E n/c End)	1
	2159-156	Top Cover Moulding (SW121A & SW121E n/o End)	1
	2159-156	Top Cover Moulding (SW121AE)	2
3	2159-18B	Fixed Contact Assembly	8
4	2028-153C	Moving Contact	4
5	2180-81	Moving Contact Assembly (less contacts)	1
6*	2028-30	Return Spring	1
7*	2180-66	Assembled Coil and Magnet Frame	1
8	2159-134	Contact Spring	1
9	2159-69	Contact Pressure Plate	1
10	2155-13	Support Plate Washer	1
11	2159-70	Contact Support Plate	1
12	2155-54	M4 Plain Washer	1
13	2155-55	M4 Lock Nut	1
14	2159-97	Dust Shield – optional	4
15*	2070-77	A.C. Rectifier Assembly (SW121E, SW121AE)	1
	2070-112	D.C. Resistance Assembly (SW121E, SW121AE)	1
16	2159-51	Fixing Screw (SW121E, SW121AE)	2
17	2028-526	Fixing Screw Lock Washer (SW121E, SW121AE)	2
18	2070-36	Fixing Screw Insulator (SW121E, SW121AE)	2
19	2180-82	Auxiliary Contact Kit (SW121A, SW121E)	1
	2180-82	Auxiliary Contact Kit (SW121AE)	2
20	2159-200	Contact Kit	1

* When ordering these items please state full type number of contactor for which items are required.

Note: M8 nuts to item 3 should be tightened to a torque of 4.5 to 5.7 Nm.