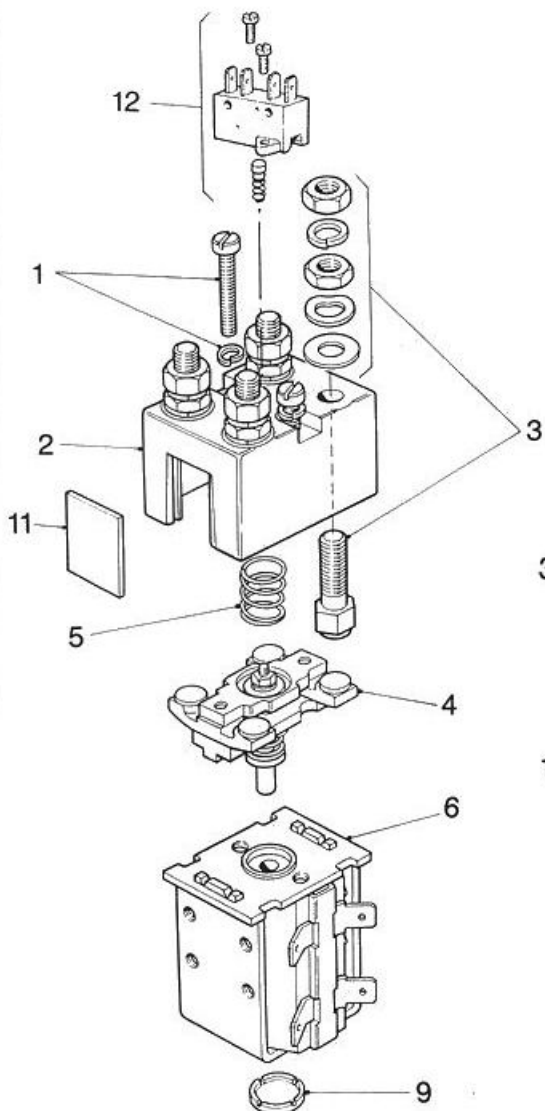


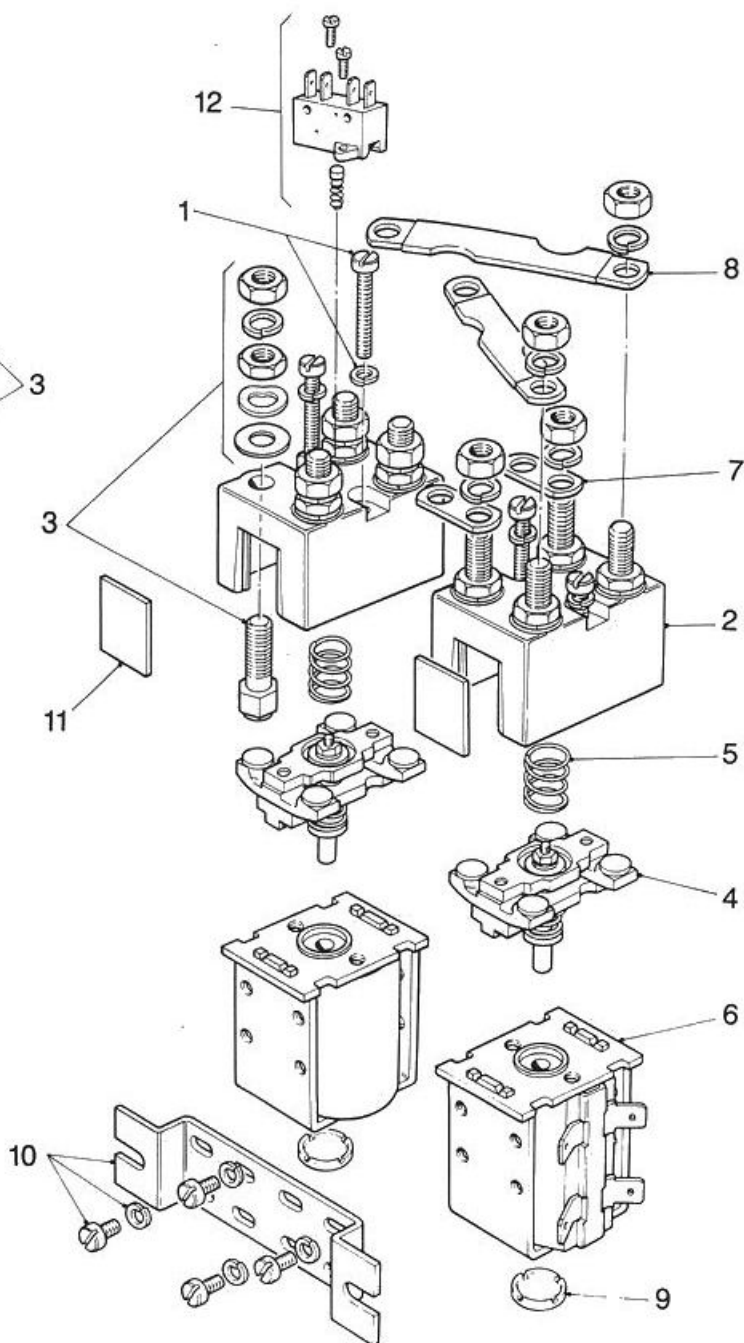


# SPARE PARTS FOR SOLENOID SWITCH TYPES SW120 and SW122

**SW120**



**SW122**



# Spare parts for Solenoid Switch types SW120 and SW122

*Suffix 'A' indicates with auxiliary contacts*

SW120 and SW122				
Item	Part No.	Description	Quantity	
			SW120	SW122
1	2159-22	Top Cover Fixing Screw with Lock Washer	2	4
2	2159-72	Top Cover	1	2
	2159-72A	Top Cover (SW120A, SW122A)	1	2
3	2159-18B	Fixed Contact Assembly	4	8
4	2180-62	Moving Contact Assembly	1	2
5*	–	Return Spring	1	2
6*	–	Assembled Coil and Magnet Frame	1	2
7	2159-85	Link (Short)	–	2
8	2159-88	Link (Long)	–	2
9	2180-246	End Cap	1	2
10	2159-39	Mounting Bracket (including screws)	–	1
11	2159-97	Dust Shield – optional	2	4
12	2180-82	Auxiliary Contact Kit (SW120A, SW122A)	1	2
13	2159-170	Spare Contact Kit	1	2

\* When ordering these items please state full type number of contactor for which items are required.

Long links (item 8) cannot be fitted to SW122A.

Note: M8 nuts to item 3 should be tightened to a torque of 4.5 to 5.7 Nm.