

ITEM.	PT. No.	DESCRIPTION.	QTY.	ITEM.	PTNo.	DESCRIPTION.	QTY.			
1.	2450-091	TOP COVER FIXING SCREW.	2-OFF.	6.	2555-016	CONTACT SPRING.	1-OFF.			
2.	2450-078	ASSEMBLED TOP COVER (SD150).	1-OFF.	7.	2159-042	CONTACT SPRING INSULATING WASHER.	1-OFF.			
a.	2450-100	ASSEMBLED TOP COVER (SD150A).	1-OFF.	8.	2070-177	MOVING CONTACT.	1-OFF.			
b.	2450-121	ASSEMBLED TOP COVER (SD150B).	1-OFF.	9.	2555-008	CONTACT INSULATING WASHER.	1-OFF.			
c.	2450-100A	ASSEMBLED TOP COVER (SD150AB).	1-OFF.	10.	2555-073	FIXED CONTACT ASSEMBLY.	2-OFF.			
d.	}	SEE SHEET 2 FOR EXTERNAL AUXILIARY MOUNTING ARRANGEMENT.		11.	2450-022	CIRCLIP.	1-OFF.			
e.				12.**	2070-016E	RETURN SPRING.	1-OFF.			
f.				13.	2500-059	SUPPORT TUBE.	1-OFF.			
g.				14.	2450-125	ASSEMBLED SHAFT.	1-OFF.			
3.				2450-090	INSULATING WASHER - SD150A, SD150AB. (INTERNAL MICROSWITCH ONLY)	1-OFF.	15.	2450-029	SHROUD.	1-OFF.
4.**				2070-016	AUXILIARY CONTACT SPRING.	1-OFF.	16.	2450-025	M3 x 5.0mm LG. C'SK. HD. POSI. SCREW.	2-OFF.
5.	2028-642	CIRCLIP.	1-OFF.	17.	2450-054	HARDWARE KIT.	1-OFF.			

NOTES: -

ITEM 3: RETURN SPRING VARIANT OTHER THAN THAT WHICH IS STIPULATED ON THE TECHNICAL DATA SHEET. VARIANT TO BE 2070-016E, UNLESS OTHERWISE STATED.

ITEM 4: AUXILIARY CONTACT SPRING 2070-016E TO BE USED, UNLESS OTHERWISE STATED WITHIN THE ADDITIONAL FEATURES ON THE TECHNICAL DATA SHEET

** WHEN ORDERING THESE ITEMS PLEASE STATE FULL TYPE NUMBER OF SWITCH FOR WHICH ITEMS ARE REQUIRED.

SD150A - INTEGRAL MICROSWITCH.

NOTE - M8 BOLTS (ITEM 9) SHOULD BE TIGHTENED TO A TORQUE OF 85 - 10Nm.

TITLE: SPARES LISTING.		TYPE: SD150 / SD150A	
MATERIAL: —		FINISH: —	
SCALE: NTS		DRAWN: PGW	DATE: 250202
DIMENSIONS IN mm		CHECKED:	DATE:
		APPROVED BY:	

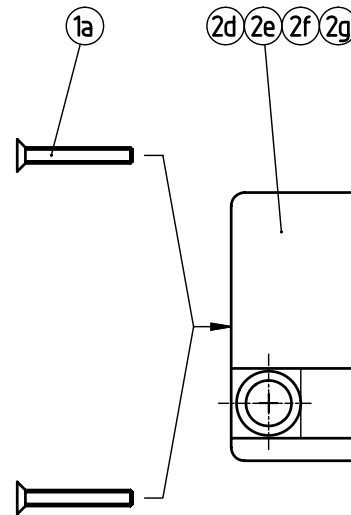
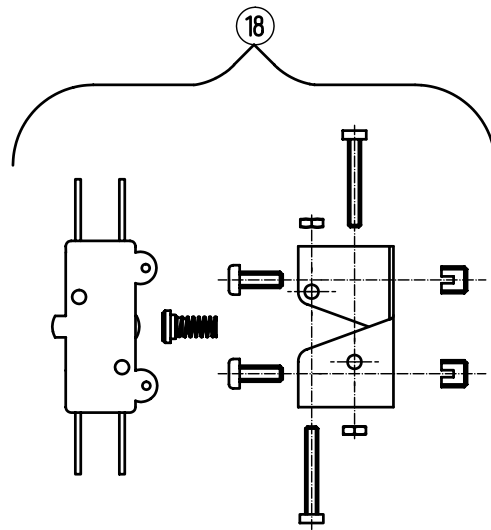
06.06.05	4	NOTE - ITEM 4 CHANGED (CNR 3283)
04.05.05	3	ITEM 13 WAS 2450-047, ITEM 14 WAS 2450-052, NOTE 'ITEM 3: RETURN.' ADDED (CNR 3265)
DATE	ISS.	ALTERATIONS

UNLESS OTHERWISE STATED: DRAWING TO B.S. 308, 3rd ANGLE PROJECTION. METRIC THREADS TO B.S. 3643 - INTERNAL 6H, EXTERNAL 6g.
 DECIMAL DIMENSIONS +/- .005, FRACTIONS +/- 1/64. ALL RADII IN CORNERS TO BE .005"/0.13mm MAX. TURNED FINISHES TO BE N6 OR BETTER.
 HOLES TO B.S. 4500 H11. CONCENTRIC DIAMETERS TO HAVE MAXIMUM T.I.R. OF .010"/0.25mm. ALL BURRS AND SHARP EDGES TO BE REMOVED.

METRIC DIMENSIONS	X	= +/- 1.0
	X.X	= +/- 0.2
	X.XX	= +/- 0.08

ALBRIGHT (ENGINEERS) LTD
 125 RED LION ROAD, TOLWORTH, SURREY.

DRG No.
X2450-106 SHT.1



ITEM.	PT. No.	DESCRIPTION.	QTY.
1a.	2450-039	TOP COVER FIXING SCREW.	2-OFF.
2d.	2450-099	ASSEMBLED TOP COVER (SD150).	1-OFF.
e.	2450-099A	ASSEMBLED TOP COVER (SD150A).	1-OFF.
f.	2450-099B	ASSEMBLED TOP COVER (SD150B).	1-OFF.
g.	2450-099c	ASSEMBLED TOP COVER (SD150AB).	1-OFF.
18.	2450-119	AUXILIARY CONTACT KIT.	1-OFF.

NOTE: ITEM 18 ONLY TO BE SUPPLIED IN CONJUNCTION WITH 2450-099?? TYPE TOP COVERS.

SD150A - EXTERNALLY MOUNTED AUXILIARY.

06.06.05	4	SEE SHEET 1 (CNR 3283)
04.05.05	3	SEE SHEET 1 (CNR 3265)
15.01.04	2	SEE SHEET 1 (CNR 2963)
14.01.04	1	1st. ISSUE.
DATE	ISS.	ALTERATIONS

UNLESS OTHERWISE STATED: DRAWING TO B.S. 308, 3rd ANGLE PROJECTION. METRIC THREADS TO B.S. 3643 - INTERNAL 6H, EXTERNAL 6g. DECIMAL DIMENSIONS +/- .005, FRACTIONS +/- 1/64. ALL RADII IN CORNERS TO BE .005"/0.13mm MAX. TURNED FINISHES TO BE N6 OR BETTER. HOLES TO B.S. 4500 H11. CONCENTRIC DIAMETERS TO HAVE MAXIMUM T.I.R. OF .010"/0.25mm. ALL BURRS AND SHARP EDGES TO BE REMOVED.

METRIC DIMENSIONS
 X = +/-1.0
 X.X = +/-0.2
 X.XX = +/-0.08

TITLE: SPARES LISTING.	TYPE: SD150 / SD150A
MATERIAL: —	FINISH: —
SCALE: NTS	DRAWN: PGW DATE: 14.01.04
DIMENSIONS IN mm	CHECKED: DATE:
	APPROVED BY:

ALBRIGHT (ENGINEERS) LTD
 125 RED LION ROAD, TOLWORTH, SURREY.

DRG No.
X2450-106 SHT2