

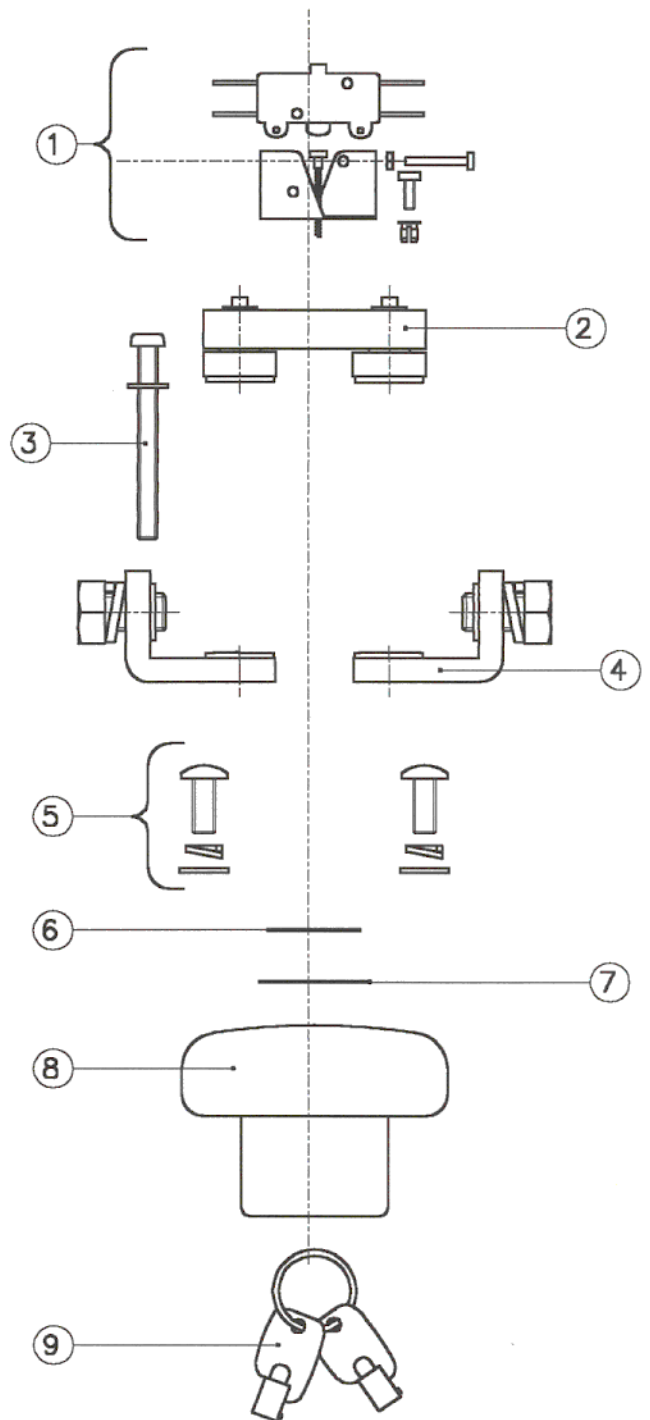


# SPARE PARTS FOR BATTERY DISCONNECTING SWITCH TYPE ED402

Suffix 'A' indicates auxiliary contacts  
Suffix 'L' indicates lockable version

## ED402

ITEM	PART No.	DESCRIPTION	QTY.
1	2200-117	AUXILIARY CONTACT KIT (ED402L).	1-OFF
2	2200-173	MOVING CONTACT ASSY.	1-OFF
3	2200-174	FIXING SCREW ASSY.	2-OFF
4	2200-172	FIXED CONTACT ASSY.	4-OFF
5	2200-72	MOUNTING HARDWARE.	1-OFF
6	2200-39	WAVY WASHER (ED402L).	1-OFF
7	2200-38	CIRCLIP (ED402L).	1-OFF
8	2200-6	OPERATING KNOB.	1-OFF
8a	2200-7	OPERATING KNOB (ED402L).	1-OFF
9	2200-50	KEYS (SET OF 2) (ED402L).	1-OFF



NOTE: M8 main terminals (item 4) should be tightened to a torque of 8.5 to 10 Nm.



REF: 00339

APRIL 1999

ALBRIGHT INTERNATIONAL LTD  
ALBRIGHT (Engineers) LTD  
125 RED LION ROAD  
SURBITON, SURREY KT6 7QS  
ENGLAND  
TELEPHONE 44 (0) 181 390 5357  
FACSIMILE 44 (0) 181 390 1927