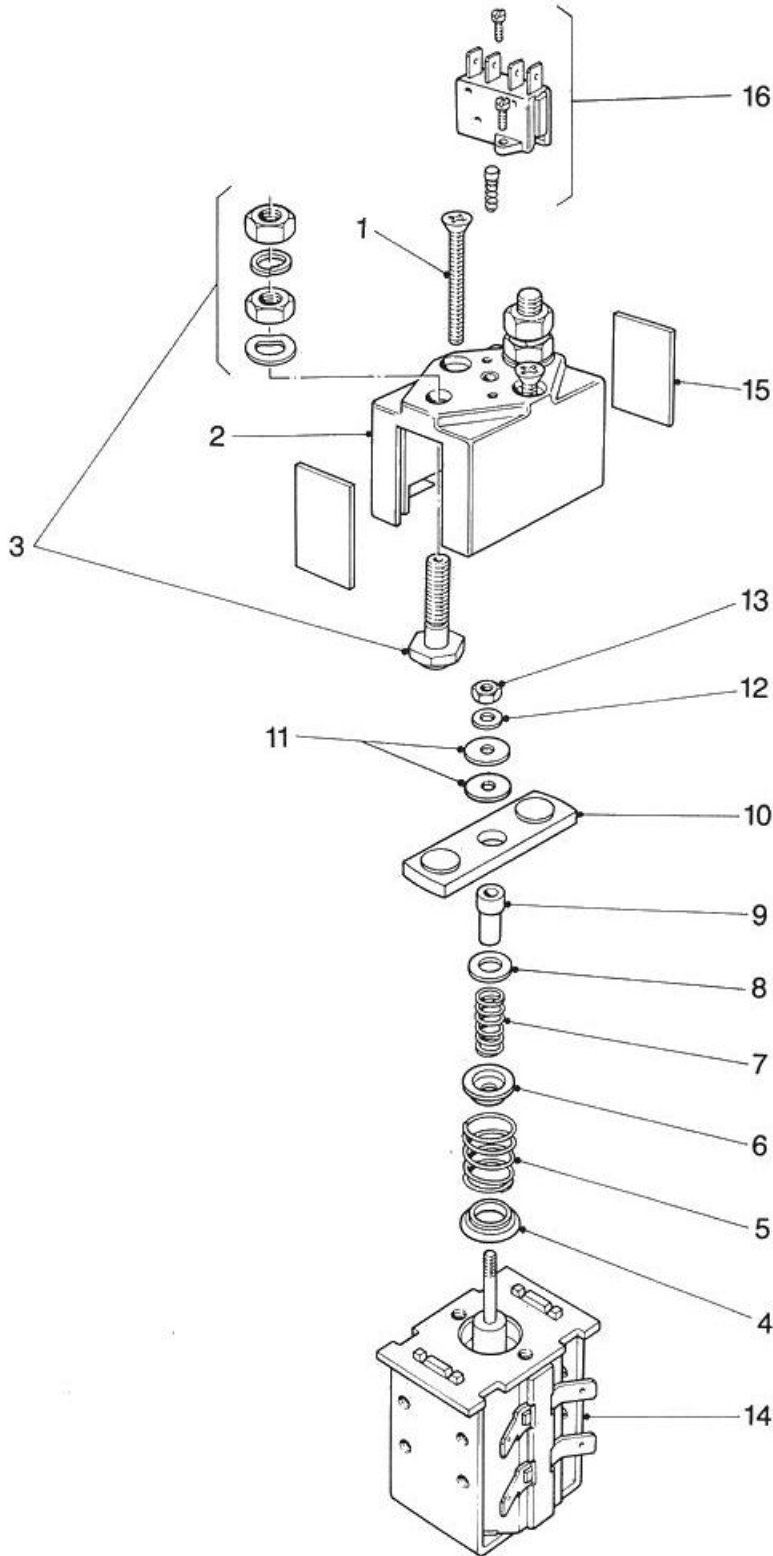




SPARE PARTS FOR SOLENOID SWITCH TYPE SW185



Spare parts for Solenoid Switch types SW185

Suffix 'A' indicates auxiliary contacts
Suffix 'B' indicates magnetic blowouts
Suffix 'L' indicates large contact tips

SW185			
Item	Part No.	Description	Quantity
1	2180-38	Top Cover Fixing Screw	2
2	2180-5	Top Cover Moulding (SW185 & SW185L)	1
	2180-25G	Top Cover Moulding (SW185A & SW185AL)	1
	2180-25A	Top Cover Moulding (SW185B & SW185BL)	1
	2180-25H	Top Cover Moulding (SW185AB & SW185ABL)	1
3	2180-102	Fixed Contact Assembly	2
	2180-26	Fixed Contact Assembly (SW185L)	2
4	2180-114	Return Spring Locating Bush	1
5*	2028-30	Return Spring	1
6	2180-48	Return Spring Cup	1
7*	2159-141	Contact Spring	1
8	2159-42	Washer	1
9	2180-113	Moving Contact Bush	1
10	2180-18	Moving Contact (SW185)	1
	2180-19	Moving Contact (SW185L)	1
11	2180-112	Insulating Washer	2
12	2155-13A	Washer	1
13	2155-55	Nut	1
14*	2180-117	Assembled Coil and Magnet Frame	1
15	2180-41	Dust Shield – optional	2
16	2180-82	Auxiliary Contact Kit (SW185A)	1
17	2180-595	Contact Kit (SW185)	1
	2180-596	Contact Kit (SW185L)	1

* When ordering these items please state full type number of contactor for which items are required.

Note: M8 nuts to item 3 should be tightened to a torque of 8 to 9.5 Nm.

ALBRIGHT INTERNATIONAL LTD.

125 Red Lion Road, Surbiton, Surrey, KT6 7QS, England.

Tel: +44 (0) 20 8390 5357 Fax: +44 (0) 20 8390 1927 Email: Technical: technical@albright.co.uk Sales: sales@albright.co.uk

Sept 07