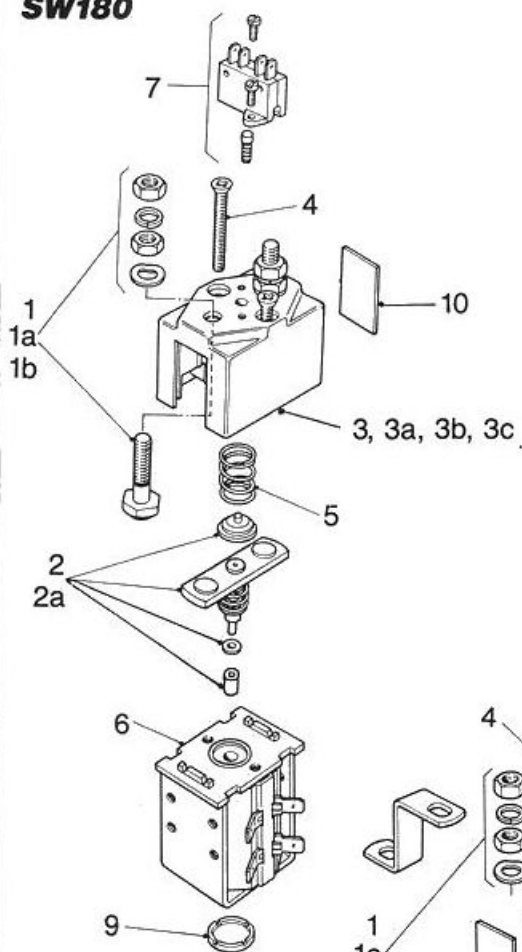


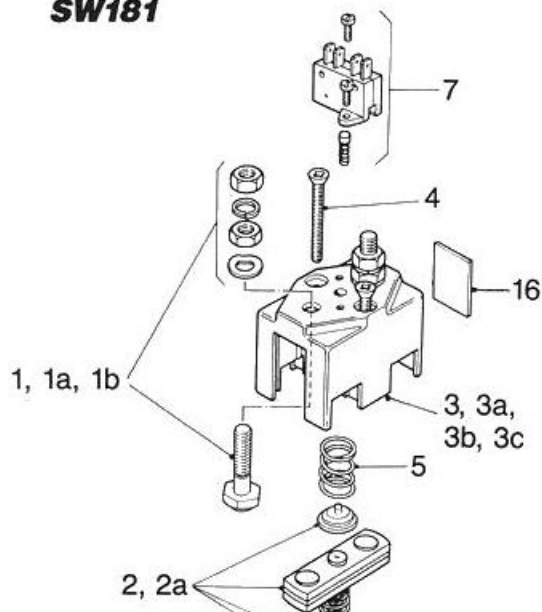


SPARE PARTS FOR SOLENOID SWITCH TYPES SW180, SW181 and SW182

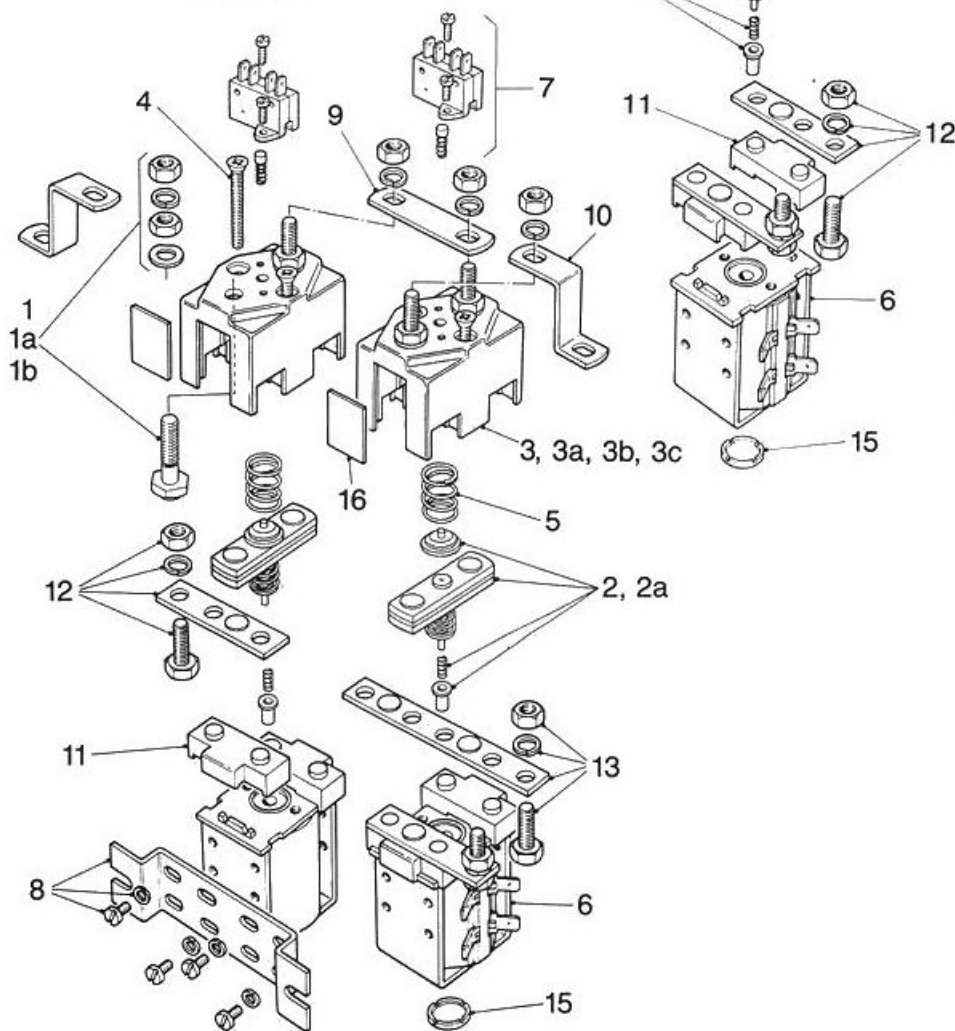
SW180



SW181



SW182



Spare parts for Solenoid Switch types SW180, SW181 and SW182

Suffix 'A' denotes auxiliary contacts
Suffix 'B' denotes magnetic blowouts
Suffix 'L' denotes large contact tips

SW180

Item	Part No.	Description	Quantity	
			SW180	
1	2180-102	Fixed Contact Assembly	2	
1a	2180-26	Fixed Contact Assembly (SW180L)	2	
1b	2180-102A	Fixed Contact Assembly (13mm longer thread)	2	
2	2180-27	Moving Contact Assembly	1	
2a	2180-28	Moving Contact Assembly (SW180L)	1	
3	2180-5	Top Cover (SW180)	1	
3a	2180-25E	Top Cover (SW180A)	1	
3b	2180-25A	Top Cover (SW180B)	1	
3c	2180-25C	Top Cover (180AB)	1	
4	2180-38	Top Cover Fixing Screws	2	
5*	2028-30	Return Spring	1	
6*	2180-40	Assembled Coil and Magnet Frame	1	
7	2180-796	Auxiliary Contact Kit (SW180A)	1	
8	2180-42	Spare Contact Kit	1	
8a	2180-42A	Spare Contact Kit (SW180L)	1	
9	2180-246	End Cap	1	
10	2180-41	Dust Shield – optional	2	

SW181 and SW182

Item	Part No.	Description	Quantity	
			SW181	SW182
1	2180-102	Fixed Contact Assembly	2	4
1a	2180-26	Fixed Contact Assembly (SW181L, SW182L)	2	4
1b	2180-102A	Fixed Contact Assembly (13mm longer thread)	2	4
2	2180-29	Moving Contact Assembly	1	2
2a	2180-30	Moving Contact Assembly (SW181L, SW182L)	1	2
3	2180-5A	Top Cover (SW181, SW182)	1	2
3a	2180-25F	Top Cover (SW181A, SW182A)	1	2
3b	2180-25B	Top Cover (SW181B, SW182B)	1	2
3c	2180-25D	Top Cover (SW181AB, SW182AB)	1	2
4	2180-38	Top Cover Fixing Screws	2	4
5*	2028-30	Return Spring	1	2
6*	2180-40	Assembled Coil and Magnet Frame	1	2
7	2180-796	Auxiliary Contact Kit (SW181A, SW182A)	1	2
8	2159-39	Mounting Bracket including Screws	–	1
9	2180-36	Link (Straight)	–	1
10	2180-37	Link (Cranked)	–	2
11	2180-6	Contact Insulator	2	4
12	2180-31	Single Normally Closed Fixed Contact	2	2
13	2180-33	Double Normally Closed Fixed Contact	–	1
14	2180-43	Spare Contact Kit (SW181)	1	–
14a	2180-43A	Spare Contact Kit (SW181L)	1	–
14b	2180-44	Spare Contact Kit (SW182)	–	1
14c	2180-44A	Spare Contact Kit (SW182L)	–	1
15	2180-246	End Cap	1	2
16	2180-41A	Dust Shield – optional	2	4

* When ordering these items please state full type number of contactor for which items are required.

Note: M8 nuts should be tightened to a torque of 8 to 9.5 Nm.