

Application	Interrupted	Uninterrupted
Thermal Current Rating (¹ th)	▶	100A
Intermittent Current Rating:		
30% Duty	▶	180A
40% Duty	▶	160A
50% Duty	▶	140A
60% Duty	▶	130A
70% Duty	▶	120A
Rated Fault Current Breaking Capacity (¹ cn) 5ms Time Constant: (in accordance with UL583*)		
SU60	▶	500A at 48V D.C.
SU60B	▶	500A at 96V D.C.
Rated Fault Current Breaking Capacity (¹ cn) Resistive Load: (in accordance with UL588*)		
SU60	▶	150A at 48V D.C.
SU60B	▶	150A at 96V D.C.

Maximum Recommended Contact Voltages (U _e):		
SU60	48V D.C.	60V D.C.
SU60B	96V D.C.	
Typical Voltage Drop per pole across New Contacts at 100A	<50mV	
Mechanical Durability	>3 x 10 ⁶ Cycles	
Coil Voltage Available (U _s)	From 6 to 130V D.C.	
Coil Power Dissipation:		
Highly Intermittent Rated Types	14 - 21 Watts	
Intermittently Rated types	10 - 14 Watts	
Prolonged Rated Types	7 - 10 Watts	
Continuously Rated Types	5 - 7 Watts	
Maximum Pull-In Voltage (Coil at 20° C) Guideline:		
Highly Intermittent Rated types (Max 25% Duty Cycle)	60% U _s	
Intermittently Rated types (Max 70% Duty Cycle)	60% U _s	
Prolonged Operation (Max 90% Duty Cycle)	60% U _s	
Continuously Rated Types (100% Duty Cycle)	66% U _s	
Drop-Out Voltage Range	10 - 25% U _s	
Typical Pull-In Time	15ms	
Typical Drop-Out Time (N/O Contacts to Open):		
Without Suppression	6ms	
With Diode Suppression	35ms	
With Diode and Resistor (Subject to resistance value)	8 - 20ms	
Typical Contact Bounce Period	3ms	
Operating Ambient Temperature	- 40° C to + 60° C	
Guideline Contactor Weight:		
SU60	217 gms	
With Auxiliary	+ 20 gms	
With Blowouts	+ 5 gms	

Auxiliary Details		
Auxiliary Thermal Current Rating	5A	
Auxiliary Contact Switching Capabilities (Resistive Load):		
SU60C	SU60A	
▶	5A at 24V D.C.	
▶	1A at 60V D.C.	
▶	0.5A at 120V D.C.	
▶	0.25A at 240V D.C.	

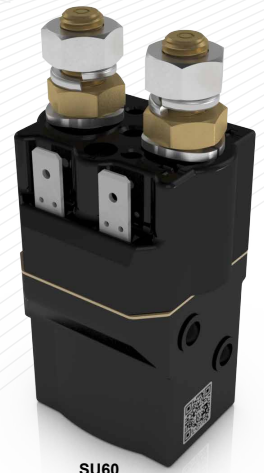
Advised Connection Sizes for Maximum Continuous Current	
Copper busbar	64.5mm ² [0.1inch ²]
Cable	Rated suitable for Application

Key: ▶ = Interrupted ▲ = Uninterrupted
 Note: Where applicable values shown are at 20° C
 * Please check our web site for product UL status

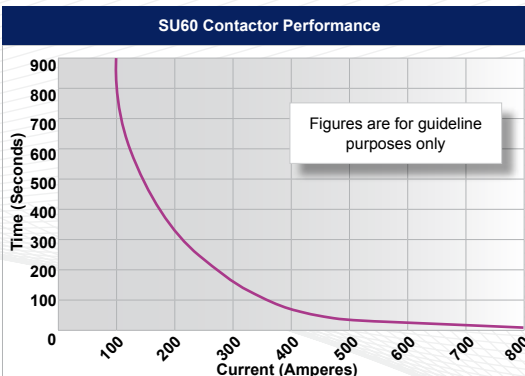
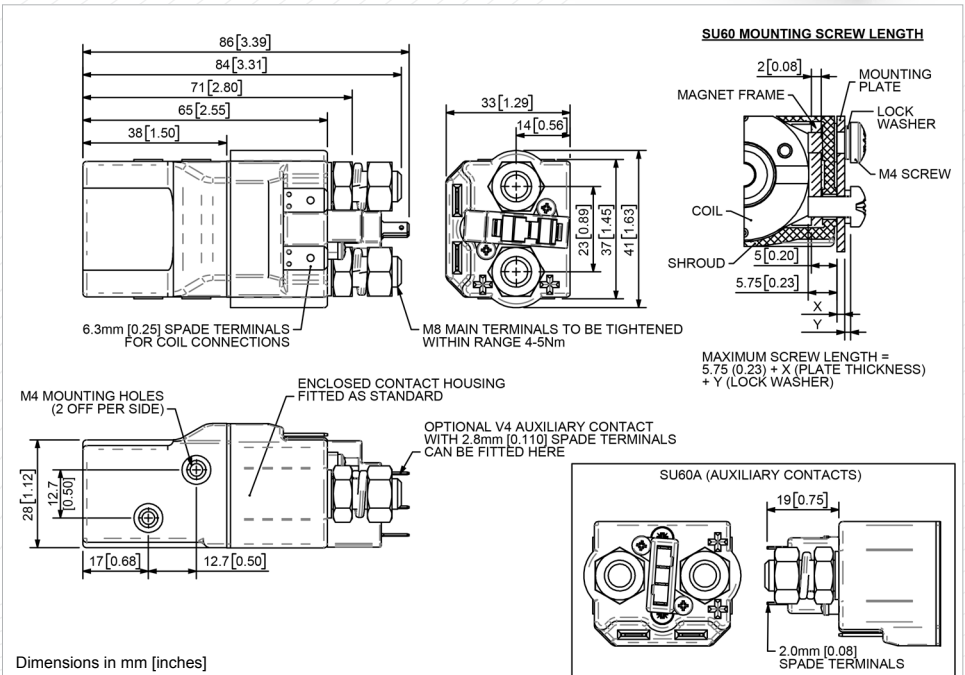
The SU60 is a high rated freestanding compact contactor devised for both interrupted and uninterrupted loads, and is suitable for switching Resistive, Capacitive and Inductive loads. Typical applications include motors as used on small electric vehicles and hydraulic power packs.

- **Interrupted** current - opening and closing on load with frequent switching (results in increased contact resistance).
- **Uninterrupted** current - no or infrequent load switching requirements (maintains a lower contact resistance).

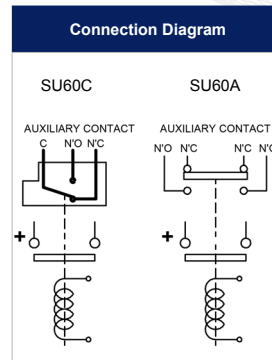
The SU60 features single pole double breaking main contacts with silver alloy tips, which are weld resistant, hard wearing and have excellent conductivity. The SU60 has M8 stud main terminals and 6.3mm spade coil connections. It can be mounted via M4 tapped holes or mounting brackets – either supplied fitted, or as separate items. Mounting can be on the side or base of the contactor.



SU60



Contact Performance Key:
 — Interrupted & Uninterrupted Current



SU60 Available Options		
General		Suffix
Auxiliary Contacts	○	A
Auxiliary Contacts - V4	○	C
Magnetic Blowouts†	○	B
Magnetic Blowouts - High Powered†	X	
Armature Cap	X	
Mounting Brackets (See Stud Contactor Series Catalogue)	○	
Magnetic Latching† (Not fail safe)	○	M
Closed Contact Housing ‡	●	
Environmentally Protected IP66 (see SU60P Catalogue sheet)	○	P
EE Type (Steel Shroud)	X	
Contacts		
Large Tips	○	L
Textured Tips	○	T
Silver Plating	X	
Coil		
AC Rectifier Board (Fitted)	X	
Coil Suppression†	○	
Flying Leads	X	
Manual Override Operation	X	
M4 Stud Terminals	○	
M5 Terminal Board	X	
Vacuum Impregnation	X	

Key: ○ Optional ○ Standard ● Not Available X
 † Connections become polarity sensitive
 ‡ Open Housing Available

- Performance data provided should be used as a guide only. Some de-rating or variation from figures may be necessary according to application.
- Thermal current ratings stated are dependant upon the size of conductor being used
- For further technical advice email: technical@albrightinternational.com
- Albright reserve the right to change data without prior notice