

The SW800 is designed for use in telecommunication and power distribution applications where an uninterrupted load is switched. These contactors are primarily for use with Direct Current loads but can also be used with Alternating Currents.

- Uninterrupted current - no or infrequent load switching requirements (maintains a lower contact resistance).

Application	Uninterrupted
Thermal Current Rating (I_{th})	800A
Intermittent Current Rating:	
30% Duty	1460A
40% Duty	1265A
50% Duty	1130A
60% Duty	1035A
70% Duty	955A
Rated Fault Current Breaking Capacity (I_{cn}) Resistive Load: (in accordance with UL508*)	
SW800	1200A at 60V D.C.
Maximum Recommended Contact Voltages (U_e):	
SW800	60V D.C.
Typical Voltage Drop per pole across New Contacts at 100A	<50mV
Mechanical M.T.B.F	>1 x 10 ⁶
Coil Voltage Available (U_s) (Rectifier board required for A.C.)	From 6 to 240V A.C./D.C.
Coil Power Dissipation:	
Highly Intermittent Rated Types	60 - 90 Watts
Intermittently Rated Types	40 - 60 Watts
Prolonged Rated Types	35 - 40 Watts
Continuously Rated Types	25 - 35 Watts
Maximum Pull-In Voltage (Coil at 20° C) Guideline:	
Highly Intermittent Rated types (Max 25% Duty Cycle)	60% U_s
Intermittently Rated types (Max 70% Duty Cycle)	60% U_s
Prolonged Operation (Max 90% Duty Cycle)	60% U_s
Continuously Rated Types (100% Duty Cycle)	66% U_s
Drop-Out Voltage Range	10 - 30% U_s
Typical Pull-In Time	40ms
Typical Drop-Out Time (N/O Contacts to Open):	
Without Suppression	10ms
With Diode Suppression	100ms
With Diode and Resistor (Subject to resistance value)	30ms
Typical Contact Bounce Period	< 5ms
Operating Ambient Temperature	- 40° C to + 60° C
Guideline Contactor Weight:	
SW800	1600 gms
With Auxiliary	+ 20 gms
Auxiliary Details	
Auxiliary Thermal Current Rating	5A
Auxiliary Contact Switching Capabilities (Resistive Load):	
SW800A	SW800C
5A at 24V D.C.	
2A at 48V D.C.	
0.5A at 240V D.C.	
Advised Connection Sizes for Maximum Continuous Current	
Copper busbar	412mm ² [0.64inch ²]
Cable	Rated suitable for Application

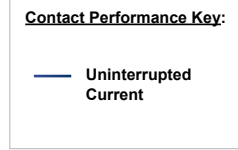
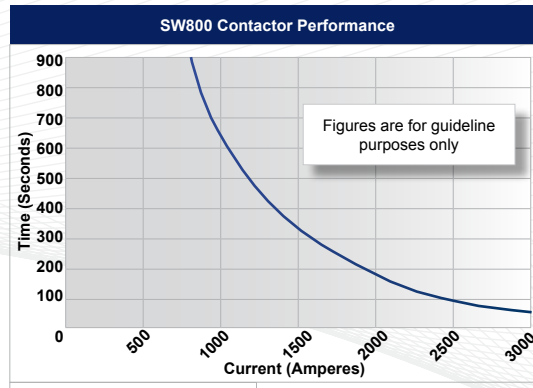
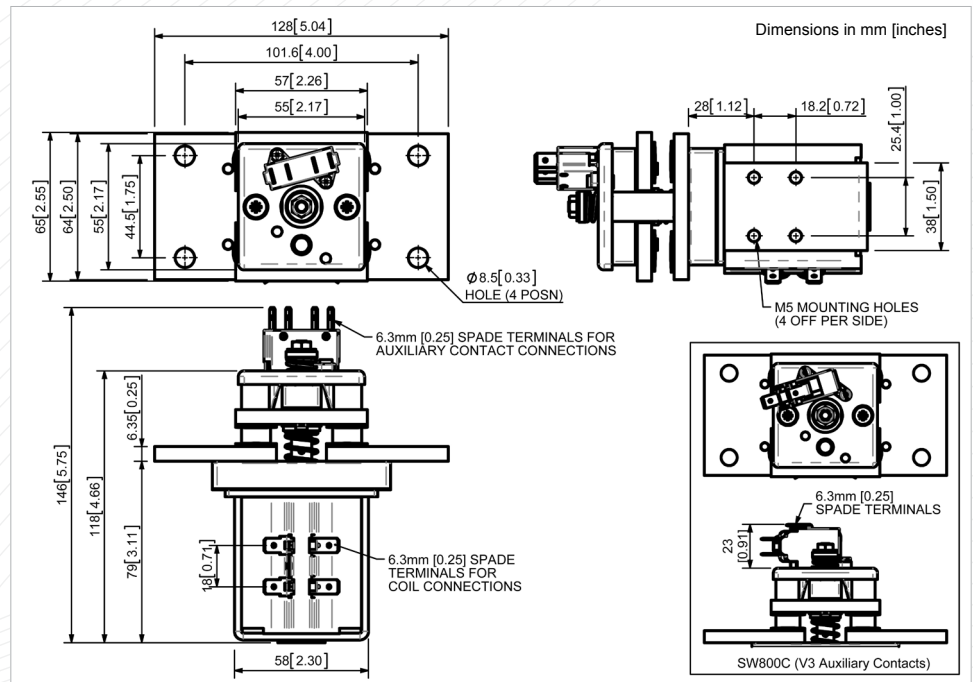
Key: = Uninterrupted
Note: Where applicable values shown are at 20° C
 * Please check our web site for product UL status

- Performance data provided should be used as a guide only. Some de-rating or variation from figures may be necessary according to application.
- Thermal current ratings stated are dependant upon the size of conductor being used
- For further technical advice email: technical@albrightinternational.com
- Albright reserve the right to change data without prior notice

The SW800 features double breaking main contacts with silver alloy tips which are weld resistant, hard wearing and have excellent conductivity. Silver plating on the main contacts is standard for the SW800, however, optionally it can be excluded from the specification. This compact contactor can be busbar mounted vertically or horizontally, but if mounted vertically, the coil should be at the bottom. If the coil is required at the top, we can adjust the contactor to compensate for this. Optional extras include Auxiliary switches, brackets, coil finishes and magnetic latching which allows the contactor to remain closed while consuming no coil power.



SW800A



SW800 Available Options		
General		Suffix
Auxiliary Contacts	<input type="radio"/>	A
Auxiliary Contacts - V3	<input type="radio"/>	C
Magnetic Blowouts†	<input checked="" type="checkbox"/>	
Magnetic Blowouts - High Powered†	<input checked="" type="checkbox"/>	
Armature Cap	<input checked="" type="checkbox"/>	
Mounting Brackets (see Busbar Series Catalogue)	<input type="radio"/>	
Magnetic Latching† (Not fail safe)	<input type="radio"/>	M
Closed Contact Housing	<input checked="" type="checkbox"/>	
Environmentally Protected IP66	<input checked="" type="checkbox"/>	
EE Type (Steel Shroud)	<input checked="" type="checkbox"/>	
Contacts		
Large Tips	<input checked="" type="checkbox"/>	
Textured Tips	<input checked="" type="checkbox"/>	
Silver Plating (fitted as standard)	<input type="radio"/>	
Coil		
AC Rectifier Board (Fitted)	<input type="radio"/>	
Coil Suppression†	<input type="radio"/>	
Flying Leads	<input type="radio"/>	F
Manual Override Operation	<input type="radio"/>	
M4 Stud Terminals	<input checked="" type="checkbox"/>	
M5 Terminal Board	<input checked="" type="checkbox"/>	
Vacuum Impregnation	<input type="radio"/>	
Key: Optional <input type="radio"/> Standard <input checked="" type="checkbox"/> Not Available <input checked="" type="checkbox"/>		
† Connections become polarity sensitive		

