

*Albright*  
International

# DRAGON SERIES



Our new Dragon Series, which consists of the SE type contactor, are unique and innovative design of compact contactor suitable for applications including UPS and Telecom Power Systems, Electric Vehicles and Frequency Converters. The series offers both Normally Open and Normally Closed Single Pole Single Throw configurations and are rated from 100 to 400 amps continuously. Coil driver options include Standard, Dual Coil and Magnetic Latching options.

Directly compatible with existing contactors within the market, the Dragon Series offers superior performance, size and quality.



**100 AMPS**

SEO100 - Normally Open  
SEC100 - Normally Closed

**200 AMPS**

SEO200 - Normally Open  
SEC200 - Normally Closed

**400 AMPS**

SEO400 - Normally Open  
SEC400 - Normally Closed

# SEO100

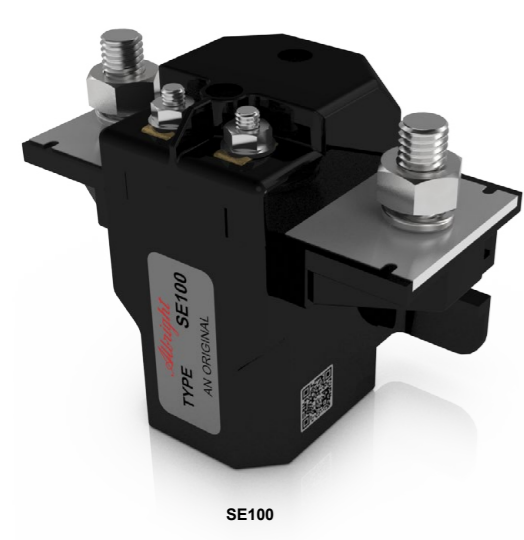
100 Amps

Single Pole  
Single Throw  
Normally Open

# SEC100

100 Amps

Single Pole  
Single Throw  
Normally Closed

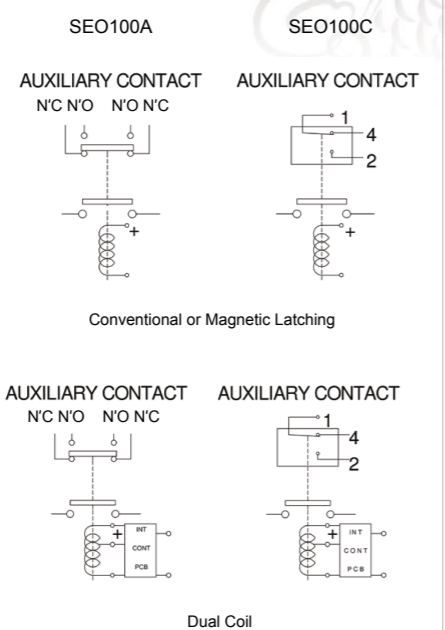


SE100



SE100A

### SEO100 Connection Diagrams



Note:  
Coil Polarity markings must be observed for Magnetic Latching and Dual Coil options, or when suppression fitted.  
For Magnetic Latching coils:  
Supply positive to coil '+' to close switch  
Supply positive to coil '-' to open switch

### SEO100 & SEC100 Technical Data

Continuous Current Rating (I <sub>th</sub> )	100A
Configuration:	
SEO100	Normally Open
SEC100	Normally Closed
Pole	Single
Throw	Single
Temperature	- 40°C to + 60°C
Main Contact Rated Voltage	Up to 60V D.C.
mV Drop	50mV at 100A
Pull-in Voltage	max 66% of nominal
Drop-Out Voltage	10 - 25% of nominal
Pull-In Time	15ms typical
Drop-Out Time:	
Without Suppression	6ms
With Suppression <sup>1</sup>	35ms
Contact Bounce	3ms typical
Insulation Voltage (Dielectric Strength)	1000V A.C.
Mechanical Life	>1,000,000
Electric Life Number of Cycles (100A at 60V)	6000 cycles in accordance with GB14048.4 (CCC)
Weight	250gms

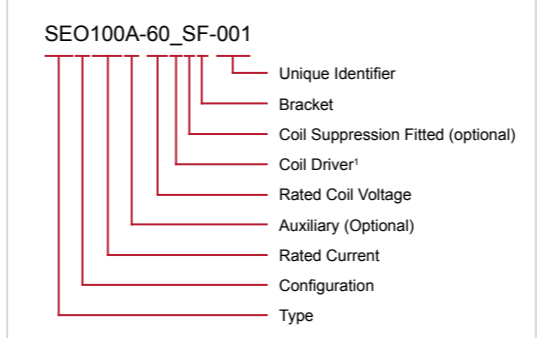
Note: Figures are at 20°C  
<sup>1</sup> Coil Polarity Markings must be Observed

### SEO100 & SEC100 Available Coil Voltages

12V	24V	30V	36V	48V	60V	72V	120V
-----	-----	-----	-----	-----	-----	-----	------

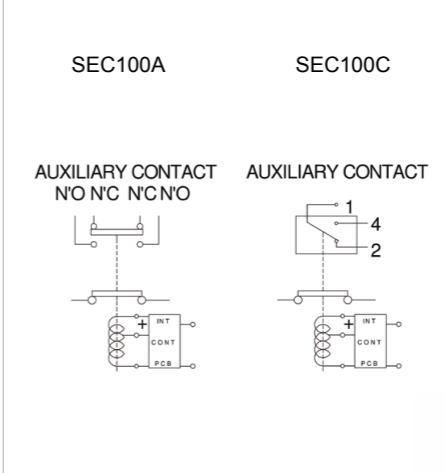
Further Options Available

### SEO100 & SEC100 Part Numbering



<sup>1</sup> Suffix will depend on coil driver option chosen (C, I, M or D)

### SEC100 Connection Diagram



#### SEO100 Coil Driver

Description	Watts	Suffix
Standard - operates as conventional CO coil	5 - 7W	C
Intermittent	10 - 14W	I
Magnetic Latching <sup>1</sup>	10 - 14W	M
Dual Coil <sup>1</sup>	Starting: up to 100W Holding: 3W	D

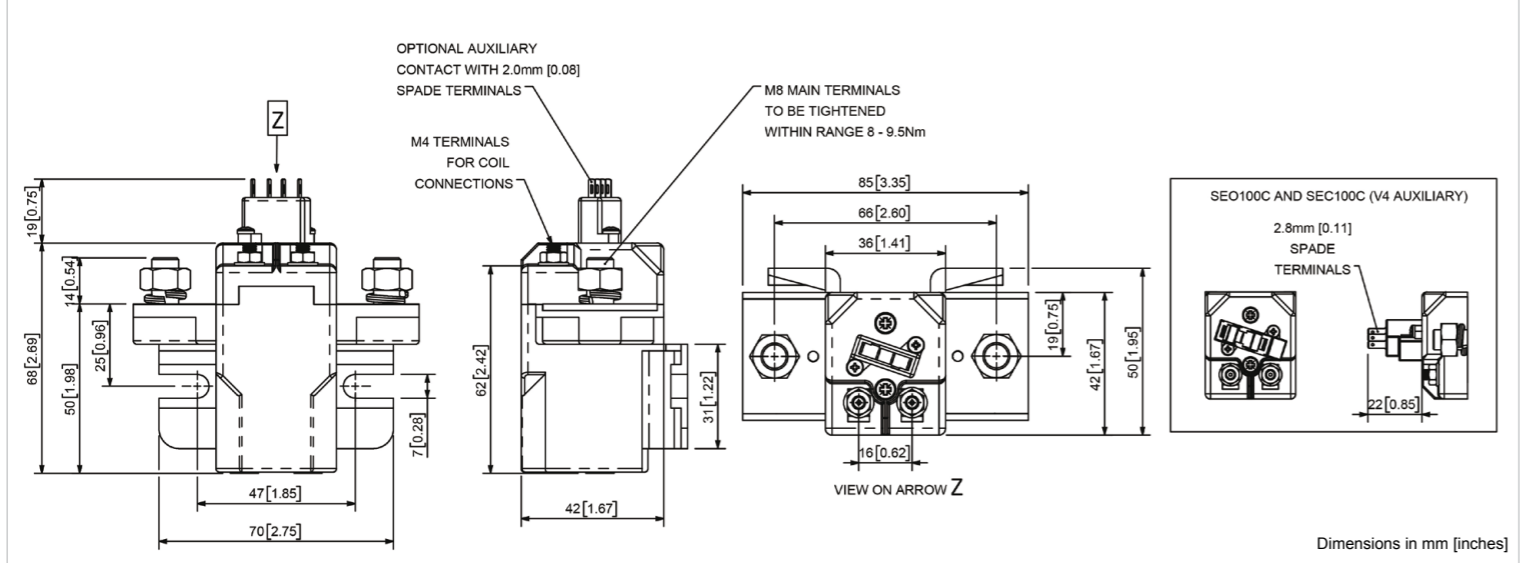
<sup>1</sup> Coil Polarity Markings must be Observed

#### SEC100 Coil Driver

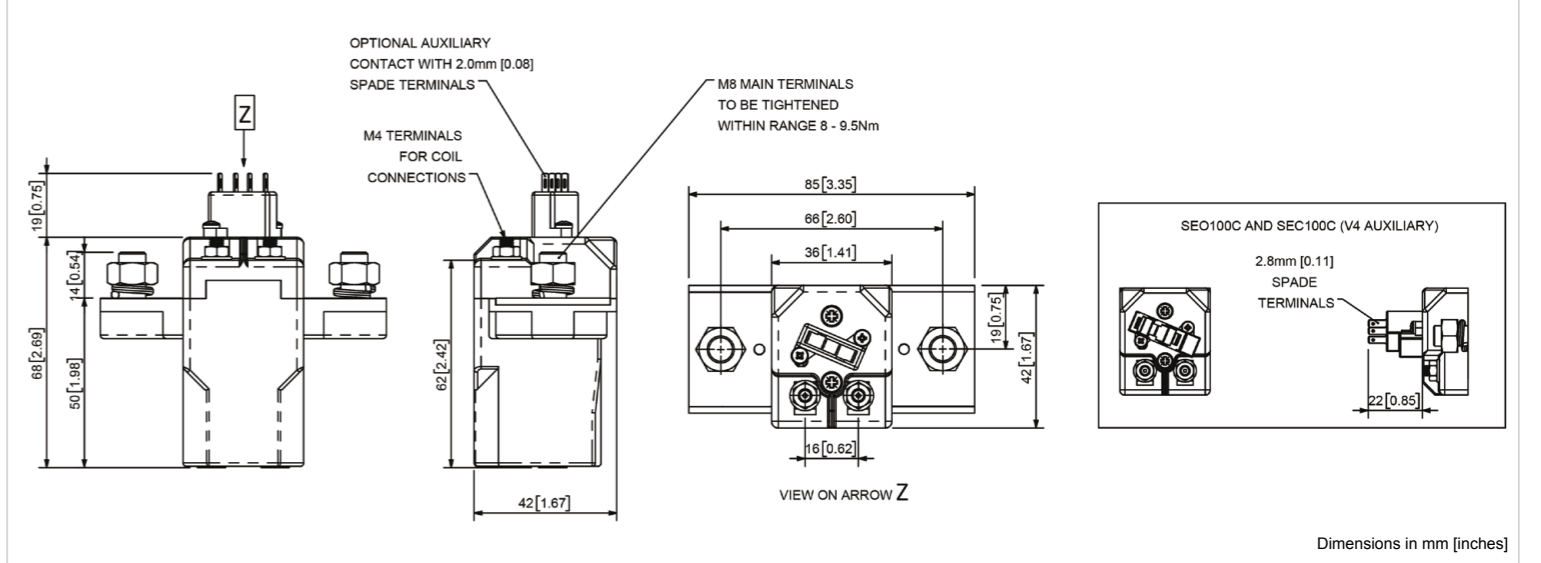
Description	Watts	Suffix
Dual Coil <sup>1</sup>	Starting: up to 100W Holding: 3W	D

<sup>1</sup> Coil Polarity Markings must be Observed

### SEO100 and SEC100 Outline Drawing (With Brackets)



### SEO100 and SEC100 Outline Drawing (Without Brackets)



# SEO200

200 Amps

Single Pole  
Single Throw  
Normally Open



# SEC200

200 Amps

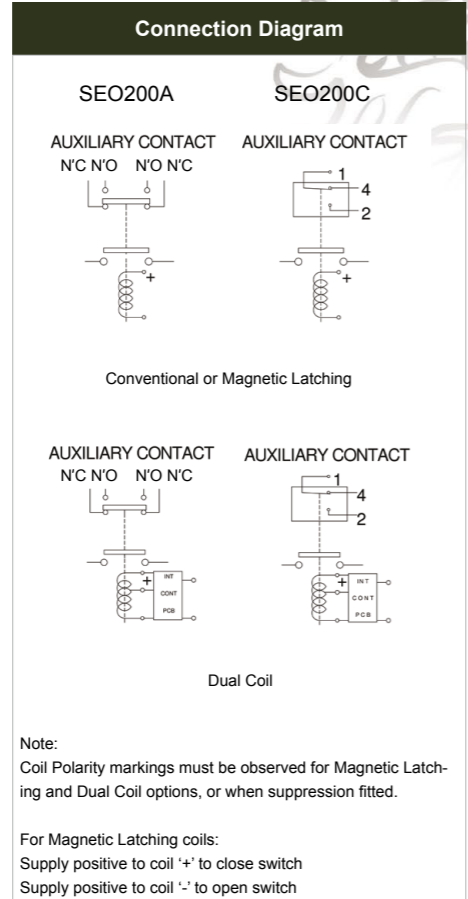
Single Pole  
Single Throw  
Normally Closed



SEO200

SEO200 Coil Driver		
Description	Watts	Suffix
Standard - operates as conventional CO coil	7 - 13W	C
Intermittent	15 - 20W	I
Magnetic Latching <sup>1</sup>	15 - 20W	M
Dual Coil <sup>1</sup>	Starting: up to 200W Holding: 5W	D

<sup>1</sup> Coil Polarity Markings must be Observed



**SEO200 & SEC200 Technical Data**

Continuous Current Rating (I <sub>th</sub> )	200A
Configuration:	
SEO200	Normally Open
SEC200	Normally Closed
Pole	Single
Throw	Single
Temperature	- 40 °C to + 60 °C
Main Contact Rated Voltage	Up to 60V D.C.
mV Drop	50mV at 200A
Pull-in Voltage	max 66% of nominal
Drop-Out Voltage	10 - 25% of nominal
Pull-In Time	15ms typical
Drop-Out Time:	
Without Suppression	6ms
With Suppression <sup>1</sup>	35ms
Contact Bounce	3ms typical
Insulation Voltage (Dielectric Strength)	1000V A.C.
Mechanical Life	>1,000,000
Electric Life Number of Cycles (200A at 60V)	6000 cycles in accordance with GB14048.4 (CCC)
Weight	490gms

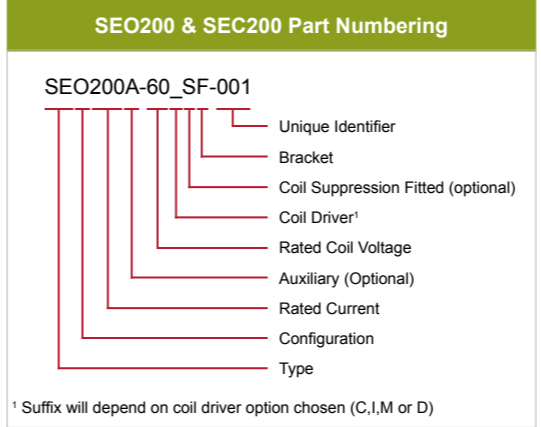
Note: Figures are at 20 °C

<sup>1</sup> Coil Polarity Markings must be Observed

**SEO200 & SEC200 Available Coil Voltages**

12V	24V	30V	36V	48V	60V	72V	120V
-----	-----	-----	-----	-----	-----	-----	------

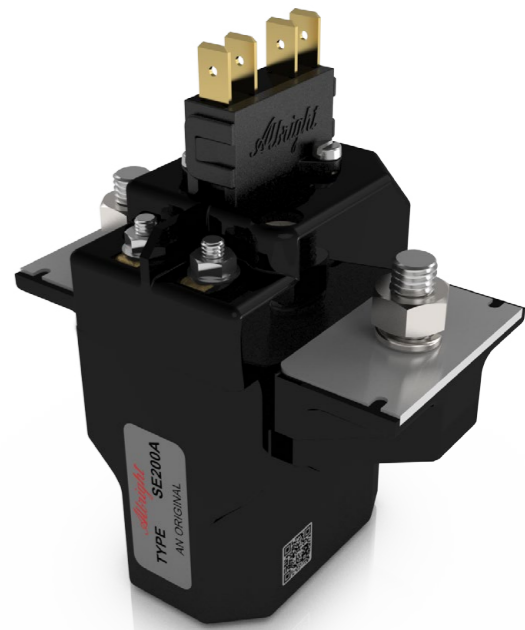
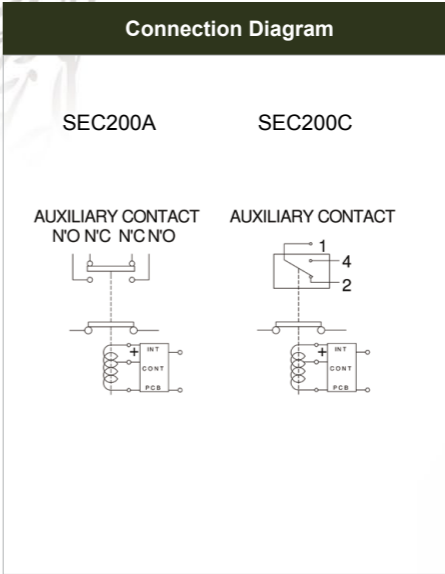
Further Options Available



SEO200 & SEC200 Options	Note	Suffix
Configuration	Normally Open	O
	Normally Closed	C
Auxiliary	Form Z	A
	Form C (V3)	C
Coil Suppression <sup>1</sup>	Diode or PCB (Dual Coil)	S
Brackets	Please refer to Drawing for Options	

Note: Silver Plating is provided as standard, but can be removed at the option of the customer. Please consult our Technical Department for further advice.

<sup>1</sup> Coil Polarity markings must be observed

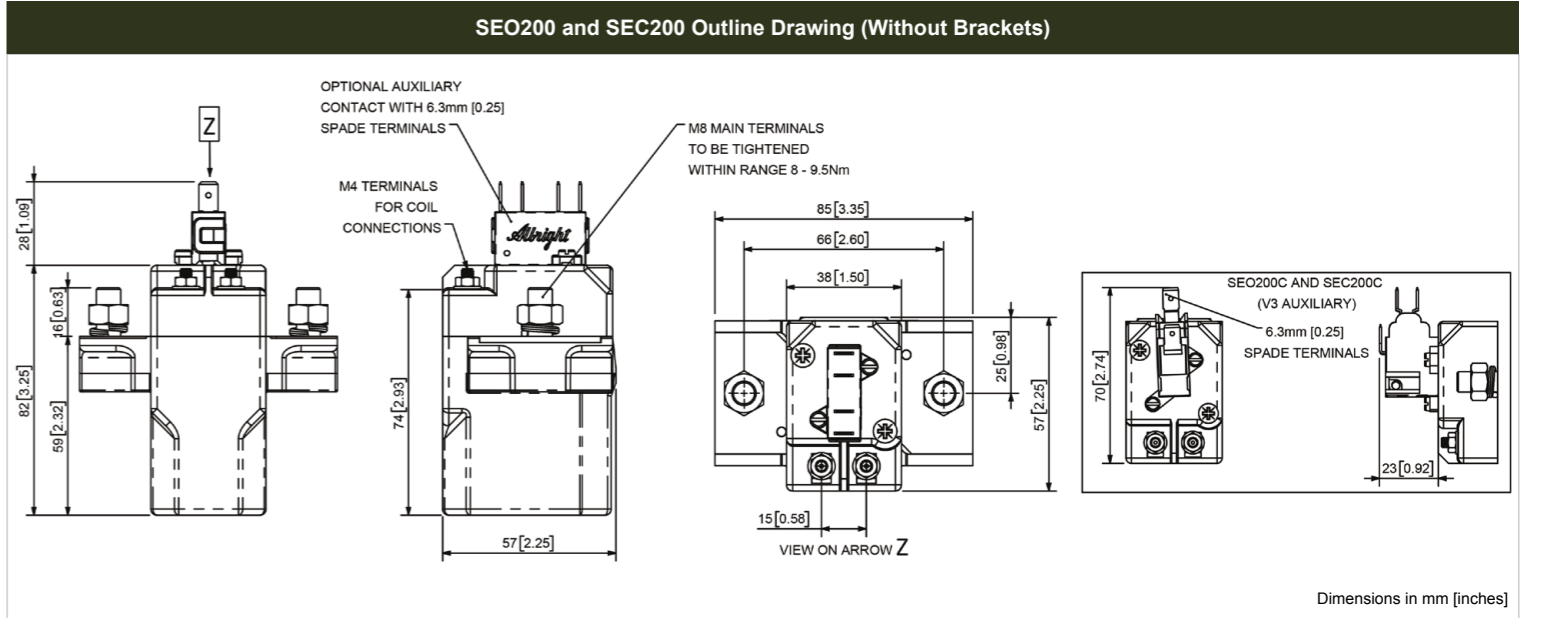
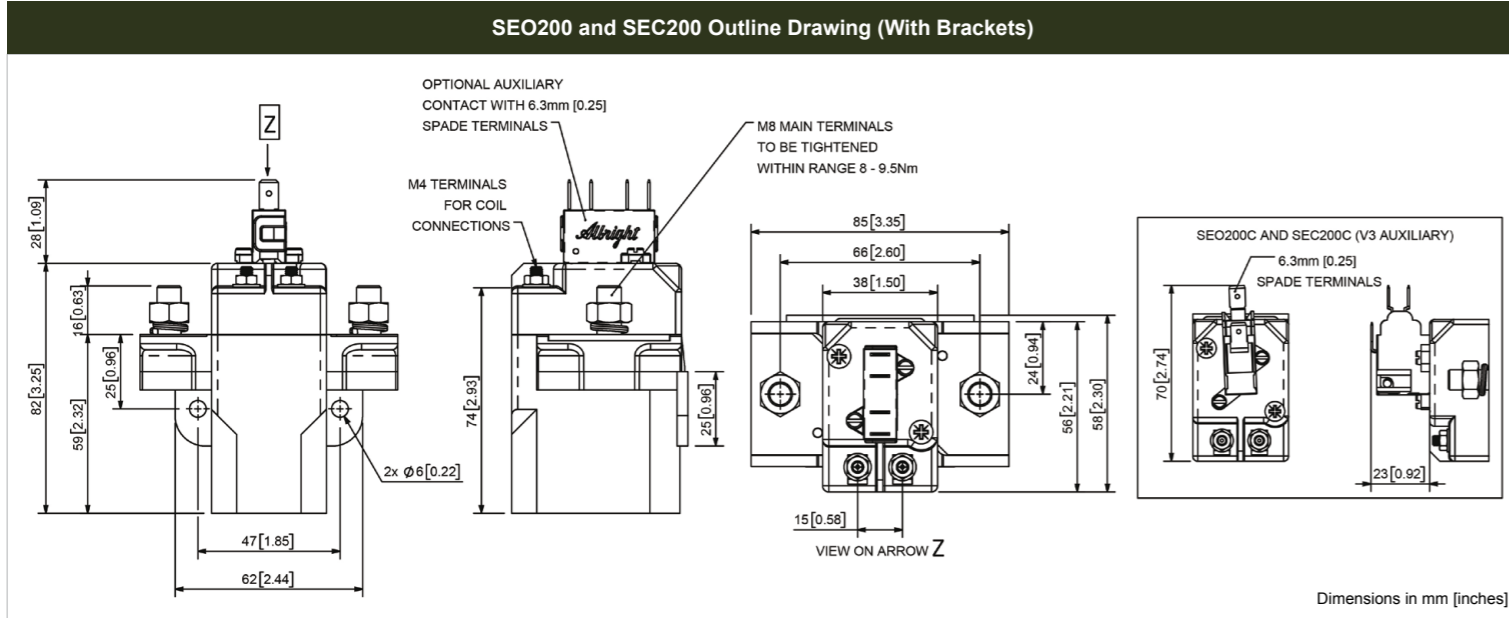


SEC200A

**SEC200 Coil Driver**

Description	Watts	Suffix
Dual Coil <sup>1</sup>	Starting: up to 200W Holding: 5W	D

<sup>1</sup> Coil Polarity Markings must be Observed



# SEO400

400 Amps

Single Pole  
Single Throw  
Normally Open

# SEC400

400 Amps

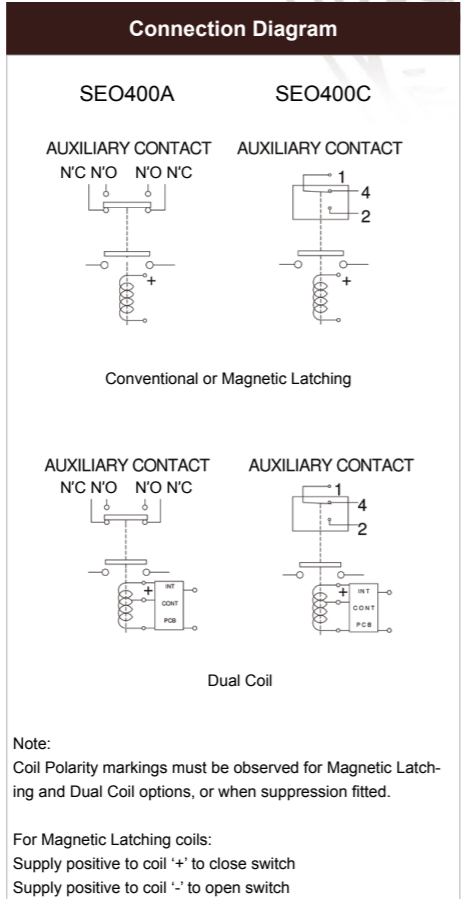
Single Pole  
Single Throw  
Normally Closed



SE400

SEO400 Coil Driver		
Description	Watts	Suffix
Standard - operates as conventional CO coil	10 - 15W	C
Intermittent	30 - 40W	I
Magnetic Latching <sup>1</sup>	30 - 40W	M
Dual Coil <sup>1</sup>	Starting: up to 330W Holding: 6W	D

<sup>1</sup> Coil Polarity Markings must be Observed



SEO400 & SEC400 Technical Data	
Continuous Current Rating (I <sub>th</sub> )	400A
Configuration:	
SEO400	Normally Open
SEC400	Normally Closed
Pole	Single
Throw	Single
Temperature	- 40°C to + 60°C
Main Contact Rated Voltage	Up to 60V D.C.
mV Drop	50mV at 200A
Pull-in Voltage	max 66% of nominal
Drop-Out Voltage	10 - 25% of nominal
Pull-In Time	15ms typical
Drop-Out Time:	
Without Suppression	6ms
With Suppression <sup>1</sup>	35ms
Contact Bounce	3ms typical
Insulation Voltage (Dielectric Strength)	1000V A.C.
Mechanical Life	>1,000,000
Electric Life Number of Cycles (400A at 60V)	6000 cycles in accordance with GB14048.4 (CCC)
Weight	830gms

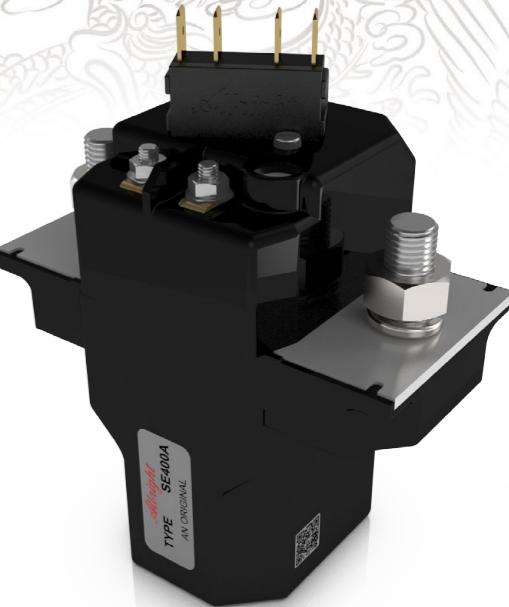
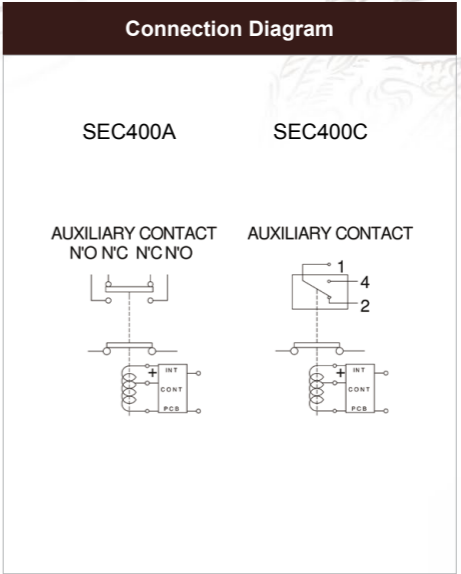
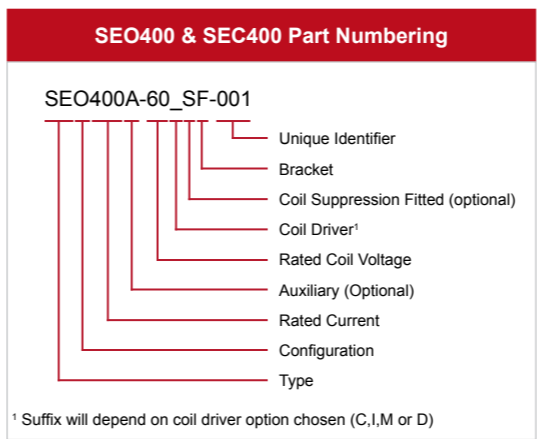
Note: Figures are at 20°C

<sup>1</sup> Coil Polarity Markings must be Observed



SEO400 & SEC400 Available Coil Voltages							
12V	24V	30V	36V	48V	60V	72V	120V

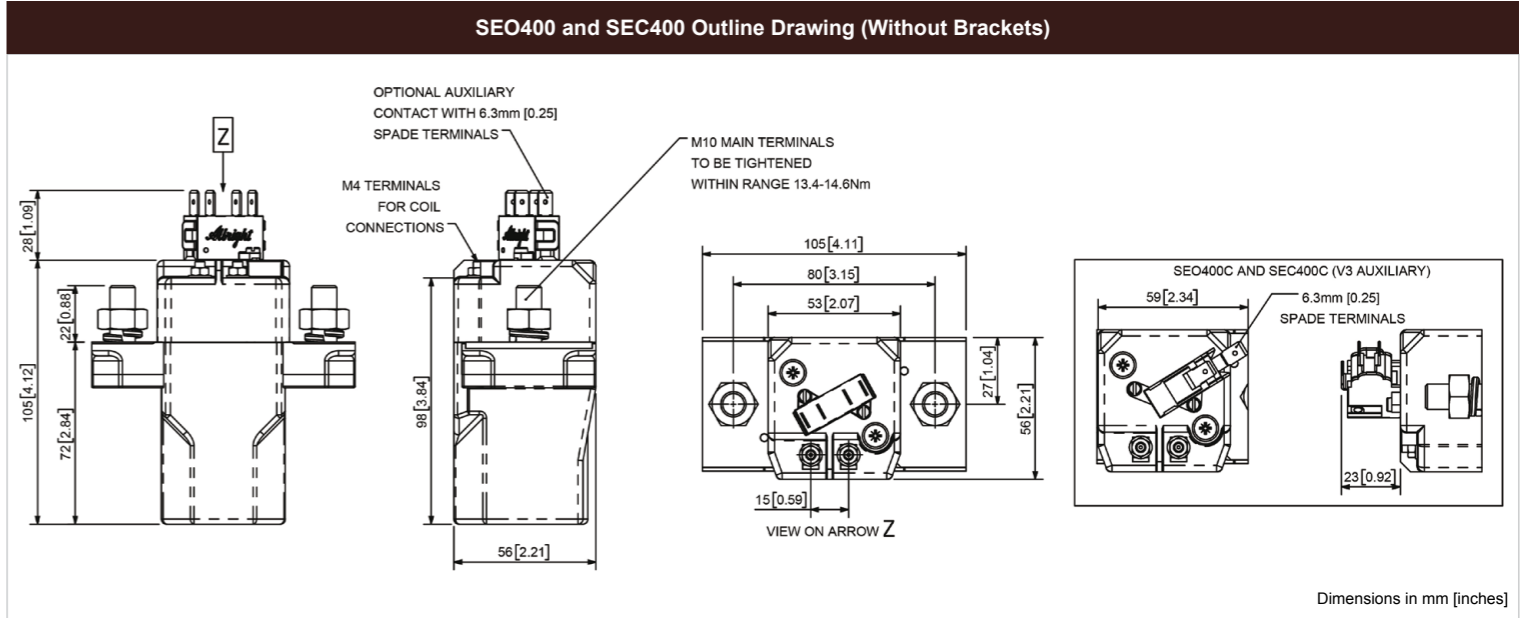
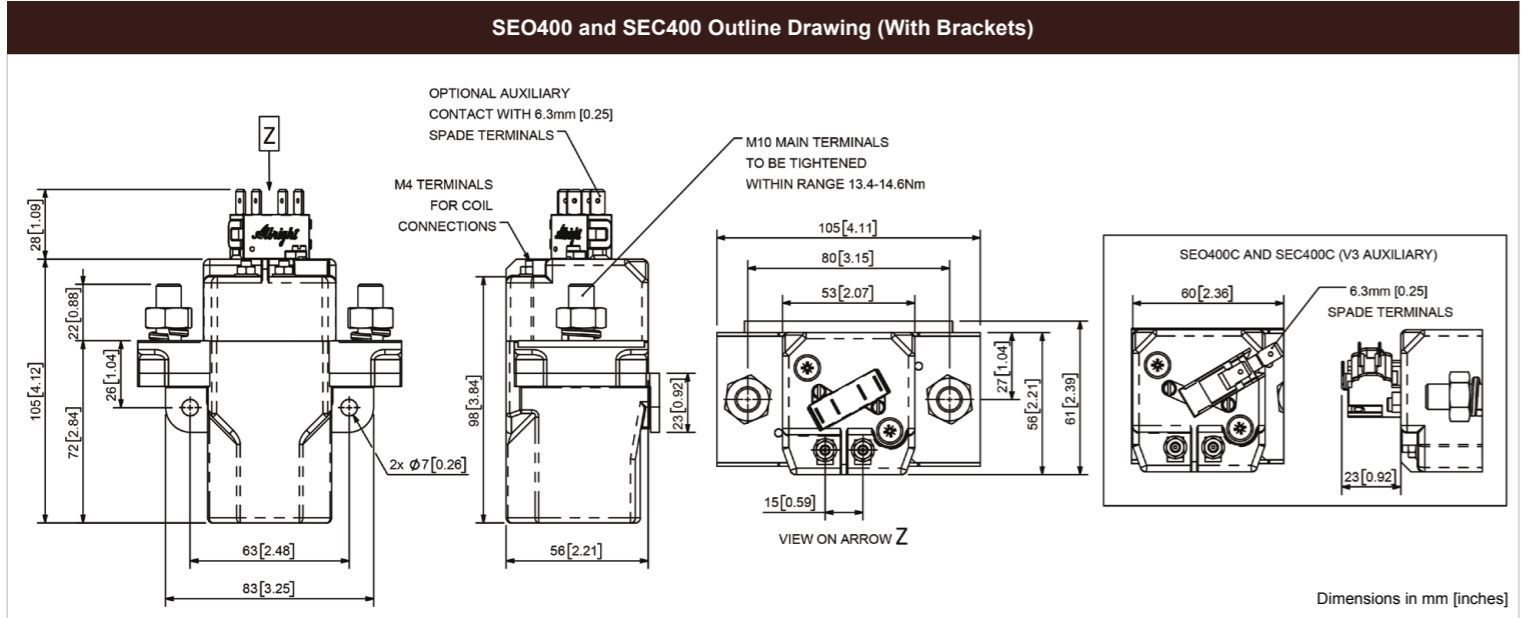
Further Options Available



SE400A

SEC400 Coil Driver		
Description	Watts	Suffix
Dual Coil <sup>1</sup>	Starting: up to 330W Holding: 6W	D

<sup>1</sup> Coil Polarity Markings must be Observed





#### Certifications

CCC: Chinese Compulsory Certification

GB14048.4



Underwriters Laboratories:

E165921 Power Distribution Centre for  
Telecommunications Equipment



#### Please Note:

- Performance data provided should be used as a guide only. Some de-rating or variation from figures may be necessary according to application.
- Thermal current ratings stated are dependant upon the size of conductor being used
- For further technical advice email: [technical@albrightinternational.com](mailto:technical@albrightinternational.com)
- Albright reserve the right to change data without prior notice