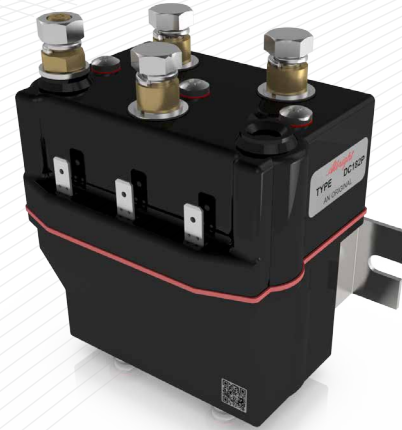


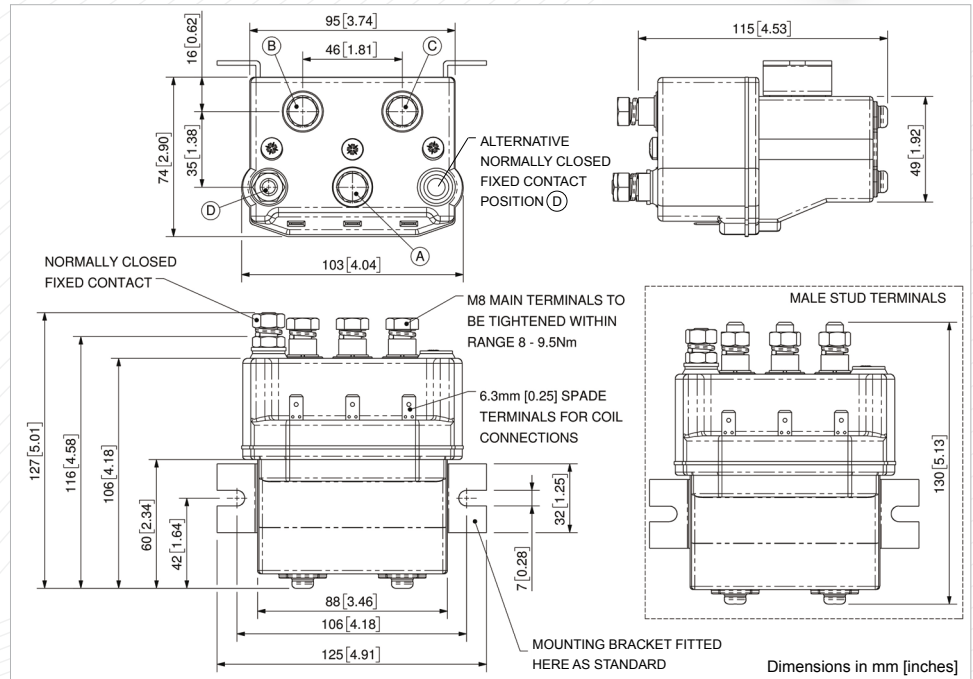
The DC182P motor reversing type of contactor has been designed for direct current loads, particularly motors as used on electric winches. The DC182P is a monoblock construction, resulting in a neat compact design which is compatible with modern electronic control systems. The DC182P is suitable for switching Resistive and Inductive loads and is sealed to IP67.

Thermal Current Rating (I _{th})	150A
Intermittent Current Rating:	
30% Duty	275A
40% Duty	240A
50% Duty	225A
60% Duty	200A
70% Duty	180A
Rated Fault Current Breaking Capacity 5ms Time Constant: (in accordance with UL583*)	1000A at 48V D.C.
Maximum Recommended Contact Voltage (U _e):	48V D.C.
Typical Voltage Drop per pole across New Contacts at 100A:	
Normally Open	< 30mV
Normally Closed	< 40mV
Mechanical M.T.B.F	> 3 x 10 ⁶
Coil Voltage Available (Us)	From 6 to 240V D.C.
Coil Power Dissipation:	
Highly Intermittent Rated Types	40 - 50 Watts
Intermittently Rated types	30 - 40 Watts
Prolonged Rated Types	15 - 30 Watts
Continuously Rated Types	10 - 15 Watts
Maximum Pull-In Voltage (Coil at 20° C) Guideline:	
Highly Intermittent Rated types (Max 25% Duty Cycle)	60% U _s
Intermittently Rated types (Max 70% Duty Cycle)	60% U _s
Prolonged Operation (Max 90% Duty Cycle)	60% U _s
Continuously Rated Types (100% Duty Cycle)	66% U _s
Drop-Out Voltage Range	10 - 25% U _s
Typical Pull-In Time	30ms
Typical Drop-Out Time (N/O Contacts to Open):	
Without Suppression	8ms
With Diode Suppression	60ms
With Diode and Resistor (Subject to resistance value)	25ms
Typical Main Contact Changeover Time (milliseconds):	
Normally Closed to Normally Open	12ms
Normally Open to Normally Closed	5ms
Typical Contact Bounce Period	3ms
Operating Ambient Temperature	- 40° C to + 60° C
Guideline Contactor Weight	1660 gms
Connection Conductor Sizes for Maximum Continuous Current Should be Rated Suitable for Application	

The main contact circuit, designed for motor reversing, has a built in failsafe, so that if both coils are energised simultaneously the circuit remains open. The DC182P has double breaking main contacts with silver alloy contact tips, which are weld resistant, hard wearing and have excellent conductivity. The DC182P M8 main stud terminals can be configured in a variety of ways in order to suit the application. Coil connections are by means of 6.3mm spades and mounting is via the supplied bracket and can be horizontal or vertical. When vertical the M8 contact studs should point upwards. If the requirement is for downwards orientation we can adjust the contactor to compensate for this.



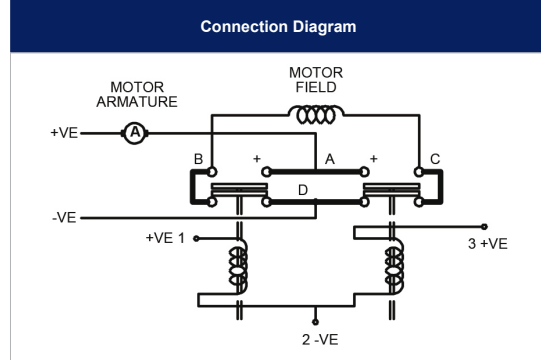
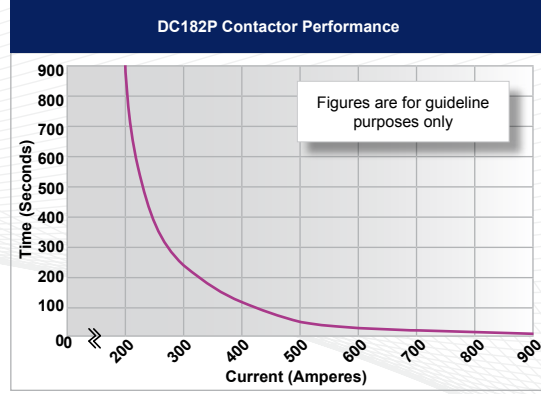
DC182P



Typical Pull-In Time	30ms
Typical Drop-Out Time (N/O Contacts to Open):	
Without Suppression	8ms
With Diode Suppression	60ms
With Diode and Resistor (Subject to resistance value)	25ms
Typical Main Contact Changeover Time (milliseconds):	
Normally Closed to Normally Open	12ms
Normally Open to Normally Closed	5ms
Typical Contact Bounce Period	3ms
Operating Ambient Temperature	- 40° C to + 60° C
Guideline Contactor Weight	1660 gms
Connection Conductor Sizes for Maximum Continuous Current Should be Rated Suitable for Application	

Note: Where applicable values shown are at 20° C
* Please check our web site for product UL status

- Performance data provided to be used as a guide only. Some de-rating or variation from figures may be necessary according to application.
- The thermal current ratings stated are dependant upon the size of conductor being used
- For further technical advice email: technical@albrightinternational.com
- Albright reserve the right to change data without prior notice



DC182P Available Options		
General		Suffix
Mounting Brackets	●	
Magnetic Latching† (Not fail safe)	○	M
Closed Contact Housing	●	
Environmentally Protected IP67	●	P
Contacts		
Large Tips	○	L
Textured Tips	○	T
Coil		
Coil Suppression†	○	
Vacuum Impregnation	○	
Key: Optional ○ Standard ●		
† Connections become polarity sensitive		