

The DC66P is a compact contactor following the established design of our mono block contactors, configured specifically for motor reversing. Suitable for Direct Current loads and compatible with modern electronic control systems, the DC66P is sealed to IP67 and is ideal for use in applications such as battery powered winches, vehicle mounted cranes and small electric vehicles. Devised for both interrupted and uninterrupted loads, the DC66P is suitable for switching Resistive, Capacitive and Inductive loads.

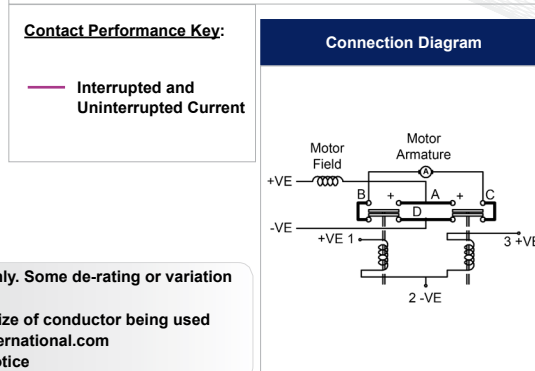
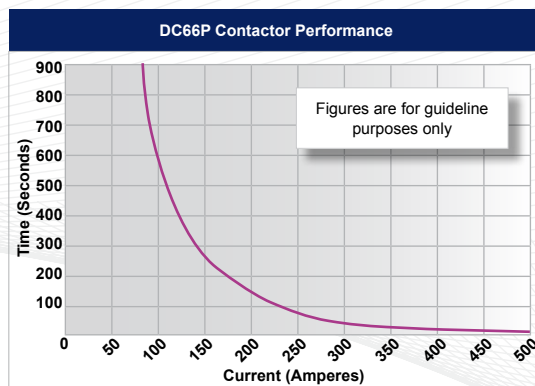
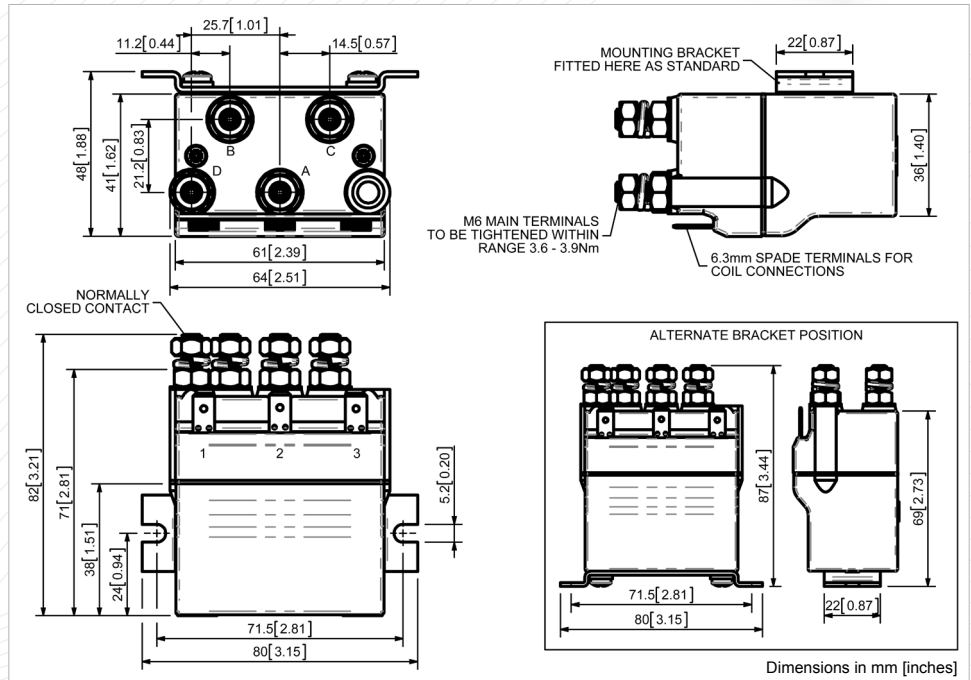


DC66P

Application	Interrupted	Uninterrupted
Thermal Current Rating (^t h)	▲	80A
Intermittent Current Rating:		
30% Duty	▲	145A
40% Duty	▲	125A
50% Duty	▲	115A
60% Duty	▲	105A
70% Duty	▲	95A
Rated Fault Current Breaking Capacity (^l cn) 5ms Time Constant: (in accordance with UL583*)	▲	
DC66P	▲	500A at 60V D.C.
Rated Fault Current Breaking Capacity (^l cn) Resistive Load: (in accordance with UL508*)	▲	
DC66P	▲	120A at 48V D.C.
Maximum Recommended Contact Voltages (U _e):		
DC66P	▲	48V D.C.
Typical Voltage Drop per pole across New Contacts at 80A	▲	<40mV
Mechanical M.T.B.F	▲	>3 x 10 ⁶
Coil Voltage Available (U _s)	▲	From 6 to 130V D.C.
Coil Power Dissipation:		
Highly Intermittent Rated Types	▲	14 - 21 Watts
Intermittently Rated types	▲	10 - 14 Watts
Prolonged Rated Types	▲	7 - 10 Watts
Continuously Rated Types	▲	5 - 7 Watts
Maximum Pull-In Voltage (Coil at 20° C) Guideline:		
Highly Intermittent Rated types (Max 25% Duty Cycle)	▲	60% U _s
Intermittently Rated types (Max 70% Duty Cycle)	▲	60% U _s
Prolonged Operation (Max 90% Duty Cycle)	▲	60% U _s
Continuously Rated Types (100% Duty Cycle)	▲	66% U _s
Drop-Out Voltage Range	▲	10 - 25% U _s
Typical Pull-In Time	▲	15ms
Typical Drop-Out Time (N/O Contacts to Open):		
Without Suppression	▲	6ms
With Diode Suppression	▲	35ms
With Diode and Resistor (Subject to resistance value)	▲	8 - 20ms
Typical Main Contact Changeover Time (milliseconds):		
Normally Closed to Normally Open	▲	6ms
Normally Open to Normally Closed	▲	6ms
Typical Contact Bounce Period	▲	3ms
Operating Ambient Temperature	▲	- 40°C to + 60°C
Guideline Contactor Weight:		
DC66P	▲	460 gms
Advised Connection Sizes for Maximum Continuous Current		
Copper busbar	▲	52 mm ² [0.08 inch ²]
Cable	▲	Rated suitable for Application
Key: ▲ = Interrupted ▲ = Uninterrupted		
Note: Where applicable values shown are at 20°C		
* Please check our web site for product UL status		

- **Interrupted** current - opening and closing on load with frequent switching (results in increased contact resistance).
- **Uninterrupted** current - no or infrequent load switching requirements (maintains a lower contact resistance).

The main contact circuit has a built in fail safe, so that if both coils are energised simultaneously the contact arrangement is open circuit. The DC66P has double breaking main contacts with silver alloy tips, which are weld resistant, hard wearing and have excellent conductivity. The DC66P has M6 main stud terminals and coil connections are by means of 6.3mm spades.



DC66P Available Options		
General		Suffix
Auxiliary Contacts	X	
Auxiliary Contacts - V3	X	
Magnetic Blowouts†	X	
Magnetic Blowouts - High Powered†	X	
Armature Cap	X	
Mounting Brackets	●	
Magnetic Latching† (Not fail safe)	X	
Closed Contact Housing	●	
Environmentally Protected IP67	●	P
EE Type (Steel Shroud)	X	
Contacts		
Large Tips	X	
Textured Tips	X	
Silver Plating	X	
Coil		
AC Rectifier Board (Fitted)	X	
Coil Suppression†	○	
Flying Leads	X	
Manual Override Operation	X	
M4 Stud Terminals	○	
M5 Terminal Board	X	
Vacuum Impregnation	X	
Key: Optional ○ Standard ● Not Available X		
† Connections become polarity sensitive		

- Performance data provided should be used as a guide only. Some de-rating or variation from figures may be necessary according to application.
- Thermal current ratings stated are dependant upon the size of conductor being used
- For further technical advice email: technical@albrightinternational.com
- Albright reserve the right to change data without prior notice