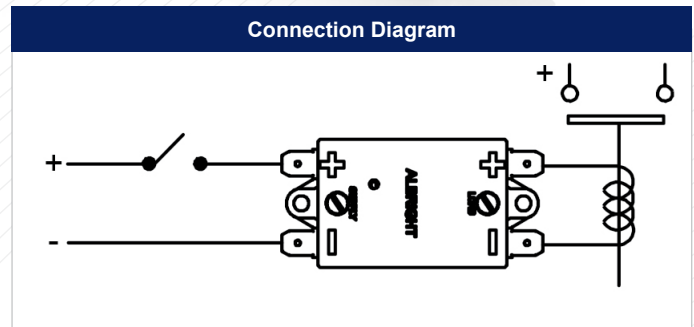
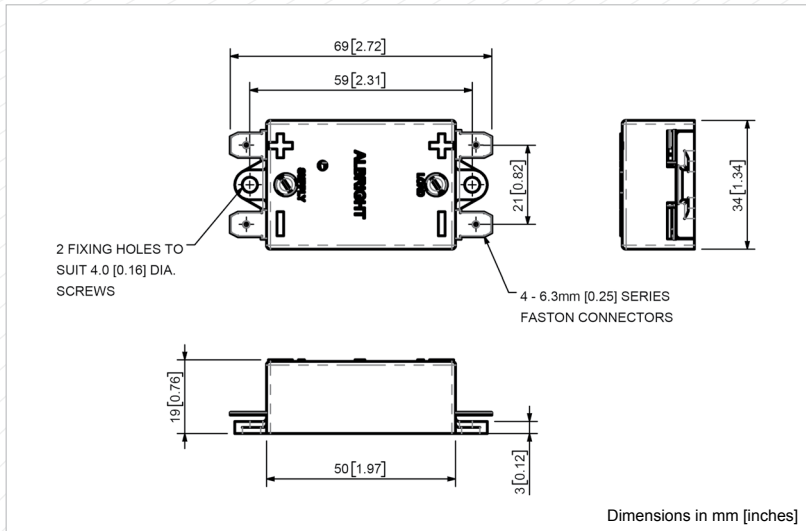


Albright CC74 PWM Coil Economiser Modules

The Albright Coil Economiser modules with Pulse Width Modulation (PWM) technology reduce continuous power dissipation of contactor coils down to 20% of nominal power.

The benefits are:

- Reduced coil heat dissipation
- Able to use a coil with intermittent power as standard
- Extends maximum voltage rating of coil
- Easy to use in new applications or for adapting existing ones



Pulse Width Modulation (PWM) technology is a common technique for coil economising in modern contactor applications. After an initial closing pulse the module regulates the coil down to the specified power dissipation (around 20%).

All Albright contactors with nominal voltages up to 96V are covered by the module types:

- CC74L is designed for applications from 12V up to 60V supply voltage
- CC74H is designed for applications from 60V to 125V supply voltage

Furthermore, modules with the following operating modes are available:

Universal Module: This type of module provides an output voltage of 40% of the supply voltage.

Regulated Module: This type of module provides a constant regulated output voltage that is 40% of nominal coil Voltage, unaffected by changes in the supply voltage.

Board	Type	Absolute Maximum Voltage*	Nominal Coil Voltage	Chopped Output Voltage
CC74L-1	Universal 12 to 60V	72 V	12 V to 60V	40% of Vsupply
CC74L-12	Regulated 12V	72 V	12 V	4.8V
CC74L-24	Regulated 24V	72 V	24 V	9.6V
CC74L-36	Regulated 36V	72 V	36 V	14.4V
CC74L-48	Regulated 48V	72 V	48 V	19.2V
CC74H-2	Universal 60 to 125V	140 V	60 V to 125V	40% of Vsupply
CC74H-60	Regulated 60V	140 V	60 V	24V
CC74H-72	Regulated 72V	140 V	72 V	28.8V
CC74H-84	Regulated 84V	140 V	84 V	33.6V
CC74H-96	Regulated 96V	140 V	96 V	38.4V

*Exceeding this voltage may damage the module.

Important Note:

Suitable for driving contactor coils only. Not suitable for use as a DC-DC converter