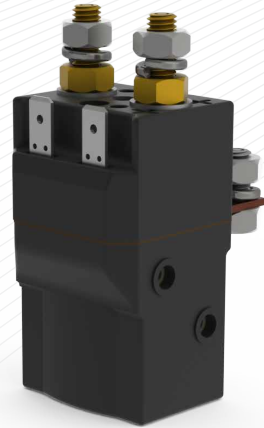


Application	Interrupted	Uninterrupted
Thermal Current Rating (th)		80A
Intermittent Current Rating:		
30% Duty		145A
40% Duty		125A
50% Duty		115A
60% Duty		105A
70% Duty		95A
Rated Fault Current Breaking Capacity (^{cn}) 5ms Time Constant: (in accordance with UL583*)		
SW61		400A at 48V D.C.
SW61B		400A at 96V D.C.
Rated Fault Current Breaking Capacity (^{cn}) Resistive Load: (in accordance with UL583*)		
SW61		120A at 60V D.C.
SW61B		120A at 96V D.C.
Maximum Recommended Contact Voltages (U ₀):		
SW61	48V D.C.	60V D.C.
SW61B	96V D.C.	120V D.C.
Typical Voltage Drop per pole across New Contacts at 80A		<40mV
Mechanical M.T.B.F		>3 x 10 ⁶
Coil Voltage Available (U _s) (Rectifier board required for A.C.)		From 6 to 130V D.C.
Coil Power Dissipation:		
Highly Intermittent Rated Types		14 - 21 Watts
Intermittently Rated types		10 - 14 Watts
Prolonged Rated Types		7 - 10 Watts
Continuously Rated Types		5 - 7 Watts
Maximum Pull-In Voltage (Coil at 20° C) Guideline:		
Highly Intermittent Rated types (Max 25% Duty Cycle)		60% U _s
Intermittently Rated types (Max 70% Duty Cycle)		60% U _s
Prolonged Operation (Max 90% Duty Cycle)		60% U _s
Continuously Rated Types (100% Duty Cycle)		66% U _s
Drop-Out Voltage Range		10 - 25% U _s
Typical Pull-In Time		15ms
Typical Drop-Out Time (N/O Contacts to Open):		
Without Suppression		6ms
With Diode Suppression		35ms
With Diode and Resistor (Subject to resistance value)		8 - 20ms
Typical Main Contactor Changeover time:		
Normally Closed to Normally Open		6ms
Normally Open to Normally Closed		4ms
Typical Contact Bounce Period		3ms
Operating Ambient Temperature		- 40° C to + 60° C
Guideline Contactor Weight:		
SW61		230 gms
With Auxiliary		+ 20 gms
With Blowouts		+ 8 gms
Auxiliary Details		
Auxiliary Thermal Current Rating		5A
Auxiliary Contact Switching Capabilities (Resistive Load):		
		5A at 24V D.C.
		1A at 60V D.C.
		0.5A at 120V D.C.
		0.25A at 240V D.C.
Advised Connection Sizes for Maximum Continuous Current		
Copper busbar		52mm ² [0.08inch ²]
Cable		Rated suitable for Application
Key: ▬ = Interrupted ▬ = Uninterrupted		
Note: Where applicable values shown are at 20° C		
* Please check our web site for product UL status		

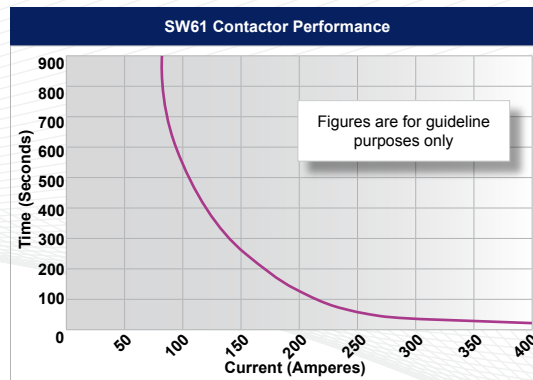
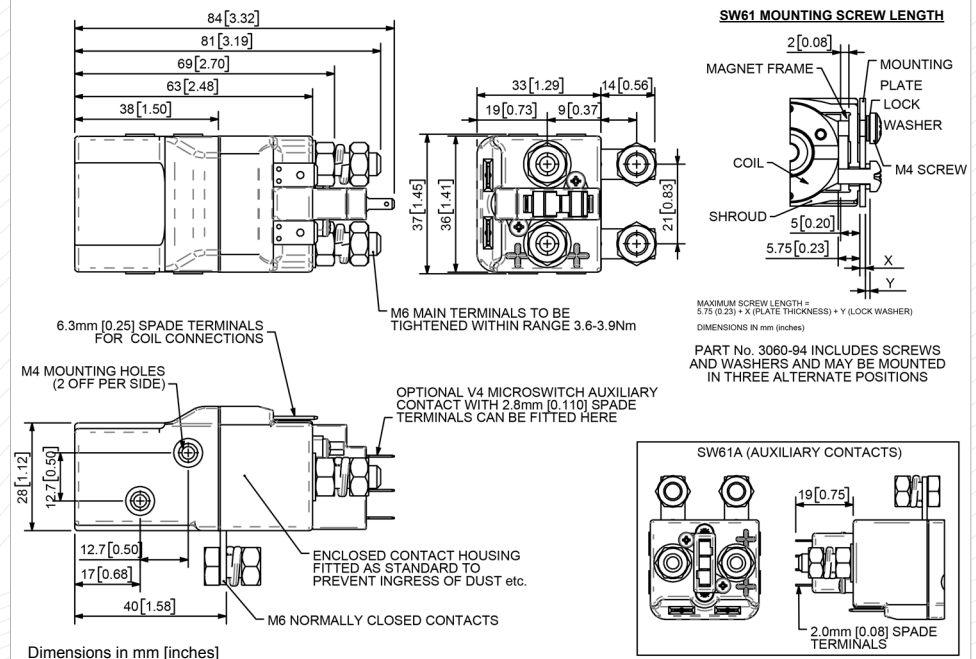
The SW61 is a miniature series single pole, free standing, compact contactor. It is designed to fill the gap between 30 ampere relays and 100 ampere contactors. Devised for both interrupted and uninterrupted loads, the SW61 is suitable for switching Resistive, Capacitive and Inductive loads. Typical applications include switching small traction motors, hydraulic power packs and small electric winch motors.

- **Interrupted** current - opening and closing on load with frequent switching (results in increased contact resistance).
- **Uninterrupted** current - no or infrequent load switching requirements (maintains a lower contact resistance).

The SW61 features single pole, double breaking main contacts with silver alloy tips, which are weld resistant, hard wearing and have excellent conductivity. The SW61 has M6 stud main terminals and 6.3mm spade coil connections. It can be mounted via M4 tapped holes or mounting brackets, either supplied fitted, or as separate items. Mounting can be on the side or base of the contactor. Please note Normally Closed contacts are not suited to make and break load.

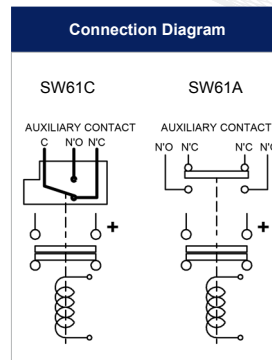


SW61



Contact Performance Key:

— Interrupted and Uninterrupted Current



SW61 Available Options		
General		Suffix
Auxiliary Contacts	○	A
Auxiliary Contacts - V4	○	C
Magnetic Blowouts†	○	B
Magnetic Blowouts - High Powered†	X	
Armature Cap	X	
Mounting Brackets (See Stud Contactor Series Catalogue)	○	
Magnetic Latching† (Not fail safe)	○	M
Closed Contact Housing†	●	
Environmentally Protected IP66	X	
EE Type (Steel Shroud)	X	
Contacts		
Large Tips	X	
Textured Tips	X	
Silver Plating	X	
Coil		
AC Rectifier Board (Fitted)	X	
Coil Suppression†	○	
Flying Leads	X	
Manual Override Operation	X	
M4 Stud Terminals	○	
M5 Terminal Board	X	
Vacuum Impregnation	X	
Key: Optional ○ Standard ● Not Available X		
† Connections become polarity sensitive		
‡ Enclosed top cover standard when blowouts not fitted		

- Performance data provided should be used as a guide only. Some de-rating or variation from figures may be necessary according to application.
- Thermal current ratings stated are dependant upon the size of conductor being used
- For further technical advice email: technical@albrightinternational.com
- Albright reserve the right to change data without prior notice