

Application	Interrupted	Uninterrupted
Thermal Current Rating (¹ th)		100A
Intermittent Current Rating:		
30% Duty		180A
40% Duty		160A
50% Duty		140A
60% Duty		130A
70% Duty		120A
Rated Fault Current Breaking Capacity (¹ cn) 5ms Time Constant: (in accordance with UL583*)		
SU60P		500A at 48V D.C.
SU60BP		500A at 96V D.C.
Rated Fault Current Breaking Capacity (¹ cn) Resistive Load: (in accordance with UL508*)		
SU60P		150A at 48V D.C.
SU60BP		150A at 96V D.C.
Maximum Recommended Contact Voltages (U _G):		
SU60P	48V D.C.	60V D.C.
SU60BP		96V D.C.
Typical Voltage Drop per pole across New Contacts at 100A		50mV
Mechanical M.T.B.F		>3 x 10 ⁶
Coil Voltage Available (U _S)		From 6 to 130V D.C.
Coil Power Dissipation:		
Very Intermittently Rated Types		14 - 21 Watts
Intermittently Rated types		10 - 14 Watts
Prolonged Rated Types		7 - 10 Watts
Continuously Rated Types		5 - 7 Watts
Maximum Pull-In Voltage (Coil at 20° C) Guideline:		
Very Intermittently Rated types (Max 25% Duty Cycle)		60% U _S
Intermittently Rated types (Max 70% Duty Cycle)		60% U _S
Prolonged Operation (Max 90% Duty Cycle)		60% U _S
Continuously Rated Types (100% Duty Cycle)		66% U _S
Drop-Out Voltage Range		10 - 25% U _S
Typical Pull-In Time		15ms
Typical Drop-Out Time (N/O Contacts to Open):		
Without Suppression		6ms
With Diode Suppression		35ms
With Diode and Resistor (Subject to resistance value)		8 - 20ms
Typical Contact Bounce Period		3ms
Operating Ambient Temperature		- 40° C to + 60° C
Guideline Contactor Weight:		
SU60P		232 gms
With Blowouts		+ 50 gms
Advised Connection Sizes for Maximum Continuous Current		
Copper busbar		52mm ² [0.08inch ²]
Cable		Rated suitable for Application

Key: ▾ = Interrupted ▴ = Uninterrupted

Note: Where applicable values shown are at 20° C

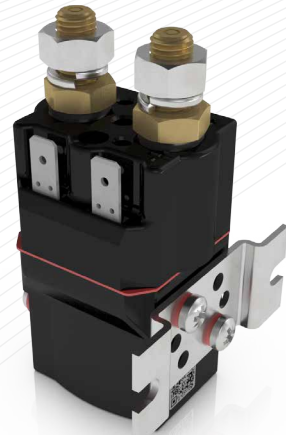
* Please check our web site for product UL status

- Performance data provided should be used as a guide only. Some de-rating or variation from figures may be necessary according to application.
- Thermal current ratings stated are dependant upon the size of conductor being used
- For further technical advice email: technical@albrightinternational.com
- Albright reserve the right to change data without prior notice

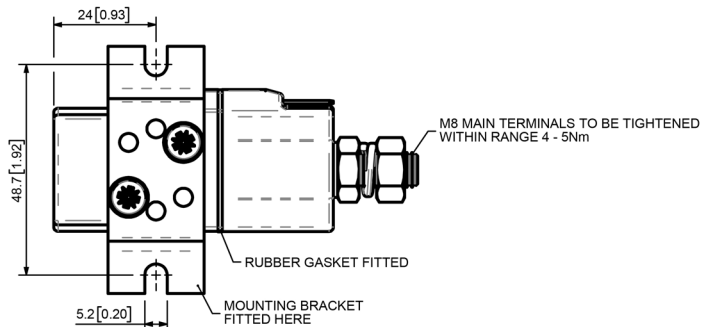
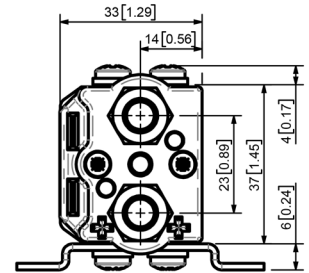
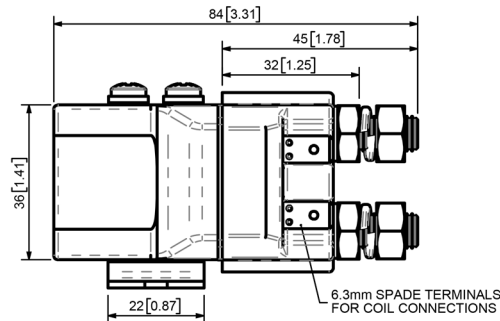
The SU60P is a high rated freestanding compact contactor following the established design of the SW60P. It is sealed to IP66 and has been designed for direct current loads in more arduous environments. Devised for both interrupted and uninterrupted applications, the SU60P is suitable for switching Resistive, Capacitive and Inductive loads. Typical applications include motors as used on small electric vehicles and hydraulic power packs.

- Interrupted** current - opening and closing on load with frequent switching (results in increased contact resistance).
- Uninterrupted** current - no or infrequent load switching requirements (maintains a lower contact resistance).

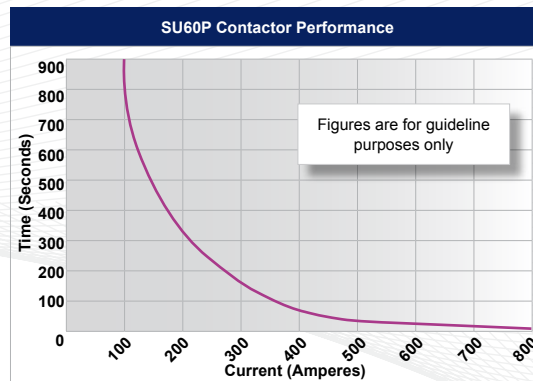
The SU60P features single pole double breaking main contacts with silver alloy tips, which are weld resistant, hard wearing and have excellent conductivity. It features an enclosed top cover and offers environmental protection to IP66. Mounted using supplied bracket, mounting can be horizontal or vertical, when vertical the M8 contact studs should point upwards. If the requirement is for downwards orientation we can adjust the contactor to compensate for this.



SU60P



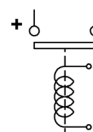
Dimensions in mm [inches]



Contact Performance Key:

— Interrupted & Uninterrupted Current

Connection Diagram



SU60P Available Options

General	Suffix
Auxiliary Contacts	X
Auxiliary Contacts - V4	X
Magnetic Blowouts*	o B
Magnetic Blowouts - High Powered*	X
Armature Cap	X
Mounting Brackets (see Stud Range Catalogue)	•
Magnetic Latching* (Not fail safe)	o M
Closed Contact Housing	•
Environmentally Protected IP66	• P
EE Type (Steel Shroud)	X
Contacts	
Large Tips	o L
Textured Tips	o T
Silver Plating	X
Coil	
AC Rectifier Board (Fitted)	X
Coil Suppression*	o
Flying Leads	X
Manual Override Operation	X
M4 Stud Terminals	o
M5 Terminal Board	X
Vacuum Impregnation	X
Key: Optional o Standard • Not Available X	
* Connections become polarity sensitive	