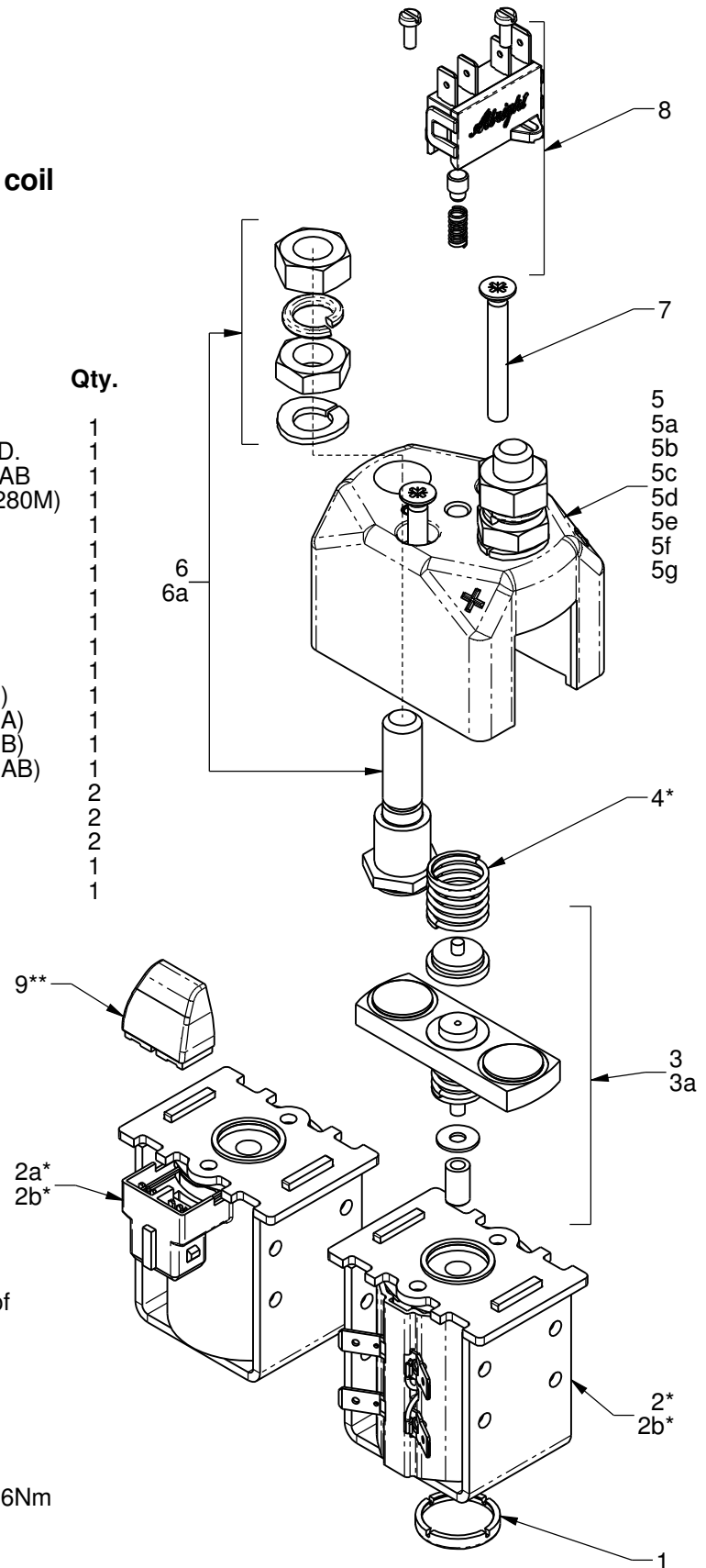


Suffix 'A' denotes auxiliary contacts
Suffix 'B' denotes magnetic blowouts
Suffix 'M' denotes magnetically latched coil
Suffix 'T' denotes textured contact tips

Item	Part No.	Description	Qty.
1	2180-246	End cap	1
2	2180-40*	Assembled coil and magnet frame - STD.	1
2a	2180-40*	Assembled coil and magnet frame - SAAB	1
2b	2181-693*	Assembled coil and magnet frame (SU280M)	1
3	2155-587	Moving contact assembly	1
3a	2156-193	Moving contact assembly (SU280T)	1
4	2065-*	Return spring	1
5	2181-632	Top cover (SU280)	1
5a	2181-632B	Top cover (SU280A)	1
5b	2181-674	Top cover (SU280B)	1
5c	2181-674E	Top cover (SU280AB)	1
5d	2181-632A	Top cover (enclosed) - optional (SU280)	1
5e	2181-632C	Top cover (enclosed) - optional (SU280A)	1
5f	2181-674A	Top cover (enclosed) - optional (SU280B)	1
5g	2181-674D	Top cover (enclosed) - optional (SU280AB)	1
6	2155-812	Fixed contact assembly	2
6a	2156-192A	Fixed contact assembly (SU280T)	2
7	2180-38	Top cover fixing screws	2
8	2155-352	Auxiliary contact kit (SU280A)	1
9	2181-635**	Coil terminal plug (for use with 2a)	1



* When ordering these items please state full type number of contactor for which items are required

** When ordering a SAAB style assembled coil and magnet frame, coil terminal plug must be ordered separately

Note: M10 nuts should be tightened to a torque of 13.4 to 14.6Nm