

The Reduced Silver series are suitable for applications where infrequent switching is specified. In such applications the degradation of the tip is minimal and therefore a higher volume of silver is unnecessary. The RW300 is designed for use in telecommunication and power distribution applications where an uninterrupted load is switched. These contactors are primarily for use with Direct Current loads but can also be used with Alternating Currents.

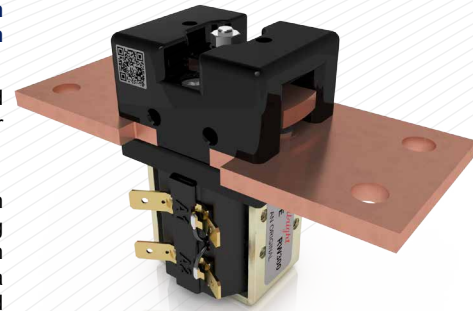
Application	Uninterrupted
Thermal Current Rating (¹ th)	300A
Intermittent Current Rating:	
30% Duty	550A
40% Duty	475A
50% Duty	425A
60% Duty	390A
70% Duty	360A
Rated Fault Current Breaking Capacity (¹ cn) Resistive Load: (in accordance with UL508*)	
RW300	450A at 60V D.C.
Maximum Recommended Contact Voltages (U _e):	
RW300	60V D.C.
Typical Voltage Drop per pole across New Contacts at 300A	< 50mV
Mechanical M.T.B.F	> 1 x 10 ⁶
Coil Voltage Available (U _c) (Rectifier board required for A.C.)	From 6 to 240V A.C./D.C.
Coil Power Dissipation:	
Highly Intermittent Rated Types	20 - 30 Watts
Intermittently Rated Types	15 - 20 Watts
Prolonged Rated Types	13 - 15 Watts
Continuously Rated Types	7 - 13 Watts
Maximum Pull-In Voltage (Coil at 20° C) Guideline:	
Highly Intermittent Rated types (Max 25% Duty Cycle)	60% U _s
Intermittently Rated types (Max 70% Duty Cycle)	60% U _s
Prolonged Operation (Max 90% Duty Cycle)	60% U _s
Continuously Rated Types (100% Duty Cycle)	66% U _s
Drop-Out Voltage Range	10 - 30% U _s
Typical Pull-In Time	15ms
Typical Drop-Out Time (N/O Contacts to Open):	
Without Suppression	6ms
With Diode Suppression	35ms
With Diode and Resistor (Subject to resistance value)	20ms
Typical Contact Bounce Period	< 5ms
Operating Ambient Temperature	- 40°C to + 60°C
Guideline Contactor Weight:	
RW300	560 gms
With Auxiliary	+ 20 gms
Auxiliary Details	
Auxiliary Thermal Current Rating	5A
Auxiliary Contact Switching Capabilities (Resistive Load):	
RW300A	RW300C
	5A at 24V D.C.
	2A at 48V D.C.
	1.3A at 72V D.C.
Advised Connection Sizes for Maximum Continuous Current	
Copper busbar	194mm ² [0.30inch ²]
Cable	Rated Suitable for Application

Key: ■ Uninterrupted
 Note: Where applicable values shown are at 20° C
 * Please check our web site for product UL status

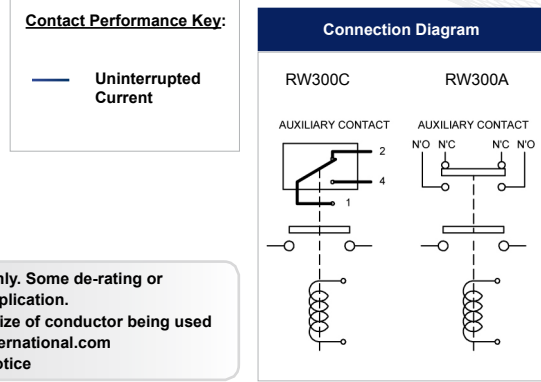
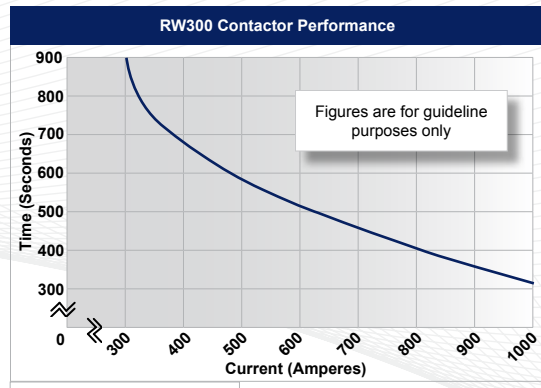
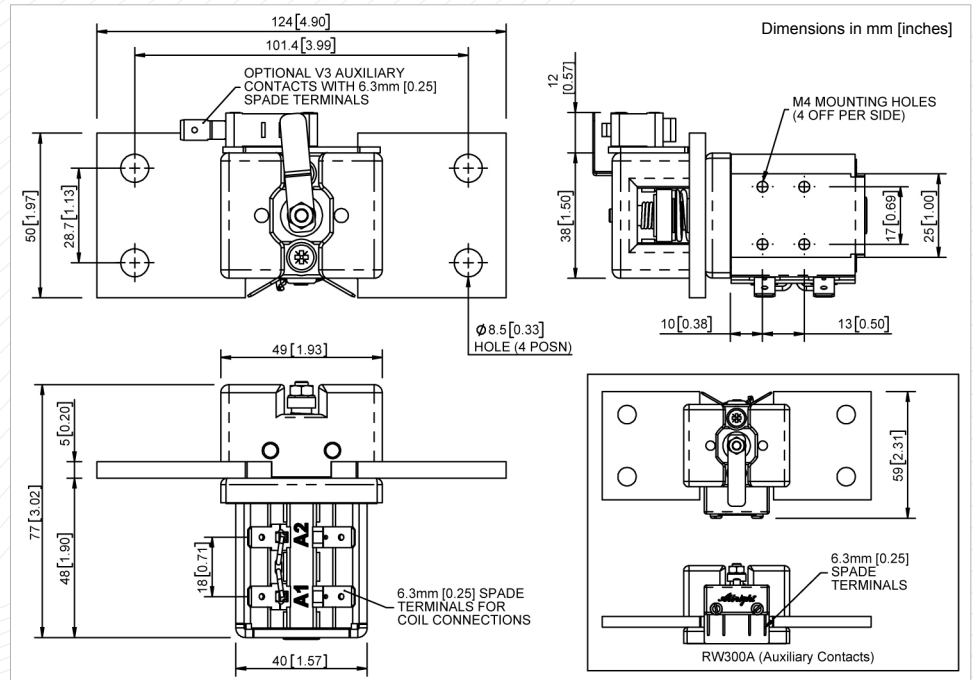
- Performance data provided should be used as a guide only. Some de-rating or variation from figures may be necessary according to application.
- Thermal current ratings stated are dependant upon the size of conductor being used
- For further technical advice email: technical@albrightinternational.com
- Albright reserve the right to change data without prior notice

- Uninterrupted current** - no or infrequent load switching requirements (maintains a lower contact resistance).

The RW300 features double breaking main contacts with silver alloy tips which are weld resistant, hard wearing and have excellent conductivity. Silver plating on the main contacts is optional for the RW300. The RW300 is a compact contactor which can be busbar mounted vertically or horizontally, if mounted vertically the coil should be at the bottom. If the coil is required at the top, we can adjust the contactor to compensate for this.



RW300



RW300 Available Options		
General		Suffix
Auxiliary Contacts	<input type="radio"/>	A
Auxiliary Contacts - V3	<input type="radio"/>	C
Magnetic Blowouts†	<input checked="" type="checkbox"/>	X
Magnetic Blowouts - High Powered†	<input checked="" type="checkbox"/>	X
Armature Cap	<input checked="" type="checkbox"/>	X
Mounting Brackets (see Busbar Series Catalogue)	<input type="radio"/>	
Magnetic Latching† (Not fail safe)	<input type="radio"/>	M
Closed Contact Housing	<input checked="" type="checkbox"/>	X
Environmentally Protected IP66	<input checked="" type="checkbox"/>	X
EE Type (Steel Shroud)	<input checked="" type="checkbox"/>	X
Contacts		
Textured Tips	<input type="radio"/>	T
Silver Plating	<input type="radio"/>	
Coil		
AC Rectifier Board (Fitted)	<input type="radio"/>	
Coil Suppression†	<input type="radio"/>	
Flying Leads	<input type="radio"/>	F
Manual Override Operation	<input type="radio"/>	
M4 Stud Terminals	<input checked="" type="checkbox"/>	X
M5 Terminal Board	<input type="radio"/>	
Vacuum Impregnation	<input type="radio"/>	
Key: Optional <input type="radio"/> Standard <input checked="" type="checkbox"/> Not Available <input checked="" type="checkbox"/>		
† Connections become polarity sensitive		