

The SW2000 is designed for use in telecommunication and power distribution applications where an uninterrupted load is switched. These contactors are primarily for use with Direct Current loads but can also be used with Alternating Currents.

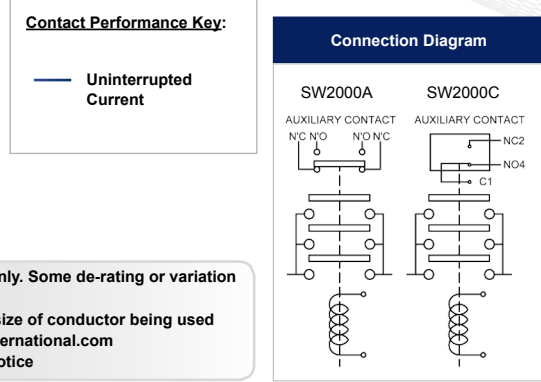
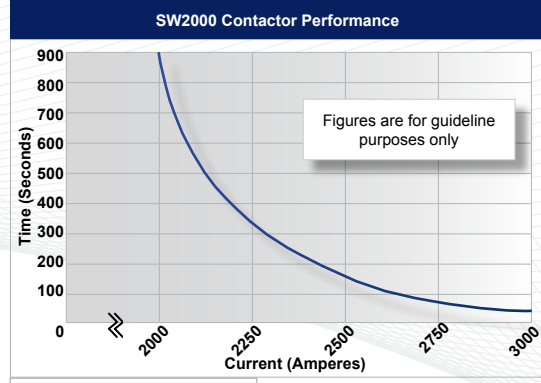
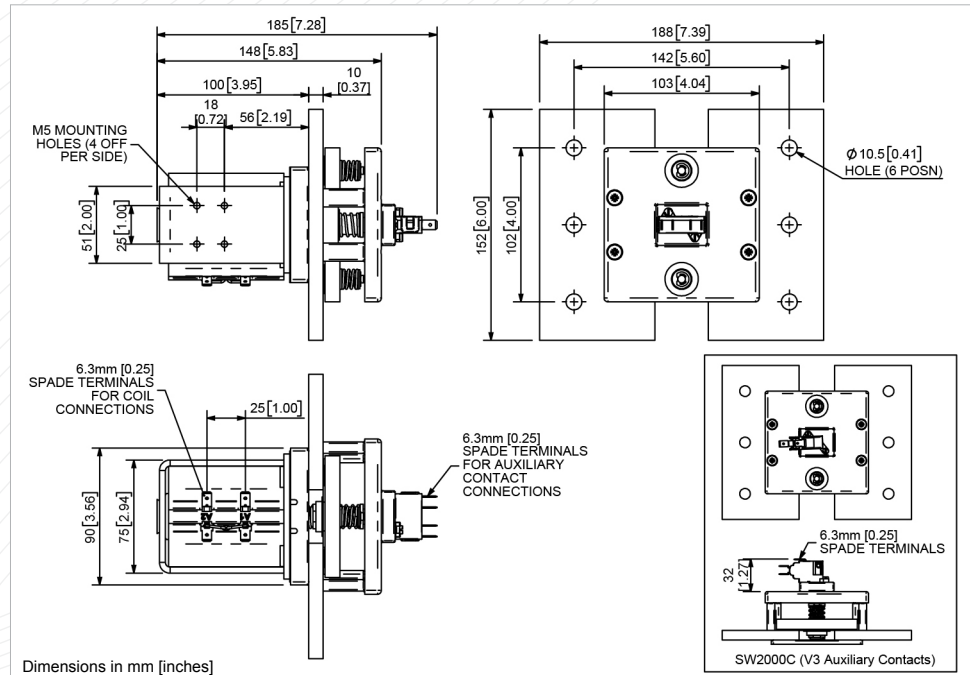
- Uninterrupted current - no or infrequent load switching requirements (maintains a lower contact resistance).



SW2000

The SW2000 features double breaking main contacts with silver alloy tips which are weld resistant, hard wearing and have excellent conductivity. Silver plating on the main contacts is standard for the SW2000, however, optionally it can be excluded from the specification. This compact contactor can be busbar mounted vertically or horizontally, however if mounted vertically, the coil should be at the bottom.

Application	Uninterrupted
Thermal Current Rating (I_{th})	2000A
Intermittent Current Rating:	
30% Duty	3650A
40% Duty	3160A
50% Duty	2830A
60% Duty	2580A
70% Duty	2390A
Rated Fault Current Breaking Capacity (I_{cn}) Resistive Load*: (in accordance with UL508*)	
SW2000	3000A at 60V D.C.
Maximum Recommended Contact Voltages (U_e):	
SW2000	60V D.C.
Typical Voltage Drop per pole across New Contacts at 100A	<50mV
Mechanical M.T.B.F	>1 x 10 ⁶
Coil Voltage Available (U_s) (Rectifier board required for A.C.)	From 6 to 240V A.C./D.C.
Coil Power Dissipation:	
Highly Intermittent Rated Types	60 - 90 Watts
Intermittently Rated types	40 - 60 Watts
Prolonged Rated Types	35 - 40 Watts
Continuously Rated Types	25 - 35 Watts
Maximum Pull-In Voltage (Coil at 20° C) Guideline:	
Highly Intermittently Rated Types (Max 25% Duty Cycle)	60% U_s
Intermittently Rated types (Max 70% Duty Cycle)	60% U_s
Prolonged Operation (Max 90% Duty Cycle)	60% U_s
Continuously Rated Types (100% Duty Cycle)	66% U_s
Drop-Out Voltage Range	10 - 30%
Typical Pull-In Time	90ms
Typical Drop-Out Time (N/O Contacts to Open):	
Without Suppression	25ms
With Diode Suppression	170ms
With Diode and Resistor (Subject to resistance value)	170ms
Typical Contact Bounce Period	< 5ms
Operating Ambient Temperature	- 40°C to + 60°C
Guideline Contactor Weight:	
SW2000	4870 gms
With Auxiliary	+ 20 gms
Auxiliary Details	
Auxiliary Thermal Current Rating	5A
Auxiliary Contact Switching Capabilities (Resistive Load):	
SW2000A	SW2000C
5A at 24V D.C.	
2A at 48V D.C.	
0.5A at 240V D.C.	
Advised Connection Sizes for Maximum Continuous Current	
Copper busbar	1500mm ² [2.33inch ²]
Cable	Rated suitable for Application
Key: ▲ = Uninterrupted	
Note: Where applicable values shown are at 20° C	
* Please check our web site for product UL status	



SW2000 Available Options		
General		Suffix
Auxiliary Contacts	○	A
Auxiliary Contacts - V3	○	C
Magnetic Blowouts†	X	
Magnetic Blowouts - High Powered†	X	
Armature Cap	X	
Mounting Brackets (see Busbar Series Catalogue)	○	
Magnetic Latching† (Not fail safe)	○	M
Closed Contact Housing	X	
Environmentally Protected IP66	X	
EE Type (Steel Shroud)	X	
Contacts		
Large Tips	X	
Textured Tips	X	
Silver Plating (fitted as standard)	○	
Coil		
AC Rectifier Board (Fitted)	○	
Coil Suppression†	○	
Flying Leads	○	F
Manual Override Operation	○	
M4 Stud Terminals	X	
M5 Terminal Board	X	
Vacuum Impregnation	○	
Key: Optional ○ Standard ● Not Available X		
† Connections become polarity sensitive		

- Performance data provided should be used as a guide only. Some de-rating or variation from figures may be necessary according to application.
- Thermal current ratings stated are dependant upon the size of conductor being used
- For further technical advice email: technical@albrightinternational.com
- Albright reserve the right to change data without prior notice