

The SW400 has been designed by Albright for use in telecommunication and power distribution applications where the load is infrequently switched. These contactors are primarily for use with Direct Current loads, however they can also be used with Alternating Currents.

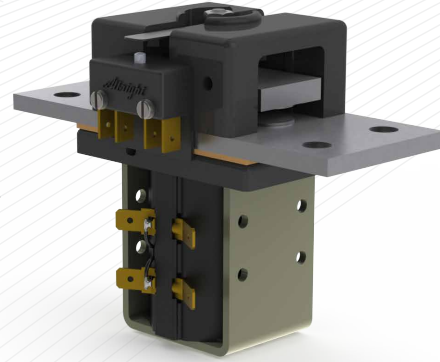
- **Uninterrupted current** - no or infrequent load switching requirements (maintains a lower contact resistance).

Application	Uninterrupted
Thermal Current Rating (¹ th)	400A
Intermittent Current Rating:	
30% Duty	730A
40% Duty	630A
50% Duty	565A
60% Duty	515A
70% Duty	480A
Rated Fault Current Breaking Capacity (¹ cn) Resistive Load: (in accordance with UL508*)	
SW400	600A at 60V D.C.
Maximum Recommended Contact Voltages (U _e):	
SW400	60V D.C.
Typical Voltage Drop per pole across New Contacts at 100A	< 50mV
Mechanical M.T.B.F	>1 x 10 ⁶
Coil Voltage Available (U _s) (Rectifier board required for A.C.)	From 6 to 240V A.C./D.C.
Coil Power Dissipation:	
Highly Intermittent Rated Types	40 - 50 Watts
Intermittently Rated Types	30 - 40 Watts
Prolonged Rated Types	15 - 30 Watts
Continuously Rated Types	10 - 15 Watts
Maximum Pull-In Voltage (Coil at 20° C) Guideline:	
Highly Intermittent Rated types (Max 25% Duty Cycle)	60% U _s
Intermittently Rated types (Max 70% Duty Cycle)	60% U _s
Prolonged Operation (Max 90% Duty Cycle)	60% U _s
Continuously Rated Types (100% Duty Cycle)	66% U _s
Drop-Out Voltage Range	10 - 30% U _s
Typical Pull-In Time	15ms
Typical Drop-Out Time (N/O Contacts to Open):	
Without Suppression	6ms
With Diode Suppression	35ms
With Diode and Resistor (Subject to resistance value)	20ms
Typical Contact Bounce Period	< 5ms
Operating Ambient Temperature	- 40° C to + 60° C
Guideline Contactor Weight:	
SW400	880 gms
With Auxiliary	+ 20 gms
Auxiliary Details	
Auxiliary Thermal Current Rating	5A
Auxiliary Contact Switching Capabilities (Resistive Load):	
SW400A	SW400C
	5A at 24V D.C.
	2A at 48V D.C.
	1.3A at 72V D.C.
Advised Connection Sizes for Maximum Continuous Current	
Copper busbar	258mm ² [0.39inch ²]
Cable	Rated suitable for Application

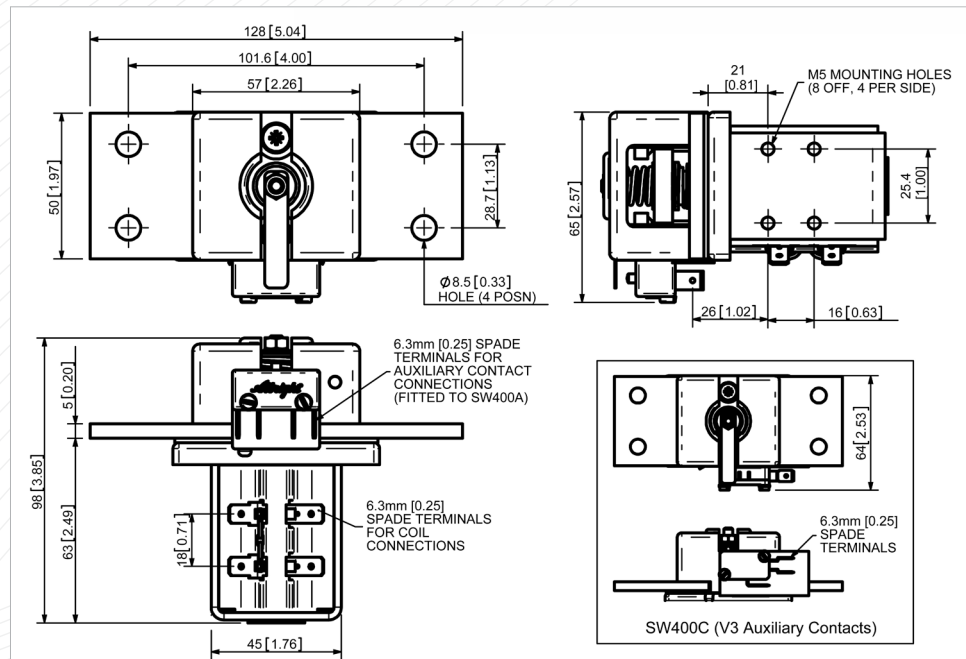
Key: ▲ = Uninterrupted
Note: Where applicable values shown are at 20° C
 * Please check our web site for product UL status

- Performance data provided should be used as a guide only. Some de-rating or variation from figures may be necessary according to application.
- Thermal current ratings stated are dependant upon the size of conductor being used
- For further technical advice email: technical@albrightinternational.com
- Albright reserve the right to change data without prior notice

The SW400 has double breaking main contacts with silver alloy tips which are weld resistant, hard wearing and have excellent conductivity. This compact contactor can be busbar mounted vertically or horizontally, however if mounted vertically, the coil should be at the bottom. If the coil is required at the top, we can adjust the contactor to compensate for this. Optional extras for the SW400 include auxiliary switches, brackets, coil finishes and magnetic latching - allows the contactor to remain closed while consuming no coil power. Additionally, silver plating on the main contacts is specified as standard (option for no silver plating is also available).

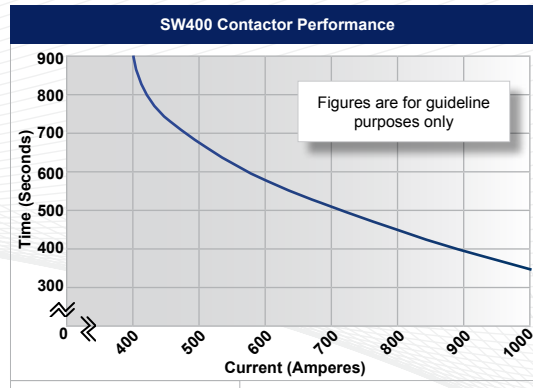


SW400A



Drawing shows SW400A

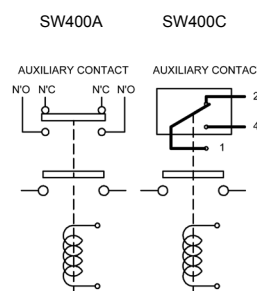
Dimensions in mm [inches]



Contact Performance Key:

— Uninterrupted Current

Connection Diagrams



SW400 Available Options

General	Suffix	
	Standard	Not Available
Auxiliary Contacts	○	A
Auxiliary Contacts - V3	○	C
Magnetic Blowouts†	X	
Magnetic Blowouts - High Powered†	X	
Armature Cap	X	
Mounting Brackets (see Busbar Series Catalogue)	○	
Magnetic Latching† (Not fail safe)	○	M
Closed Contact Housing	X	
Environmentally Protected IP66	X	
EE Type (Steel Shroud)	X	
Contacts		
Large Tips	X	
Textured Tips	○	T
Silver Plating (fitted as standard)	○	
Coil		
AC Rectifier Board (Fitted)	○	
Coil Suppression†	○	
Flying Leads	○	F
Manual Override Operation	○	
M4 Stud Terminals	X	
M5 Terminal Board	○	
Vacuum Impregnation	○	

Key: Optional ○ Standard ● Not Available X
 † Connections become polarity sensitive