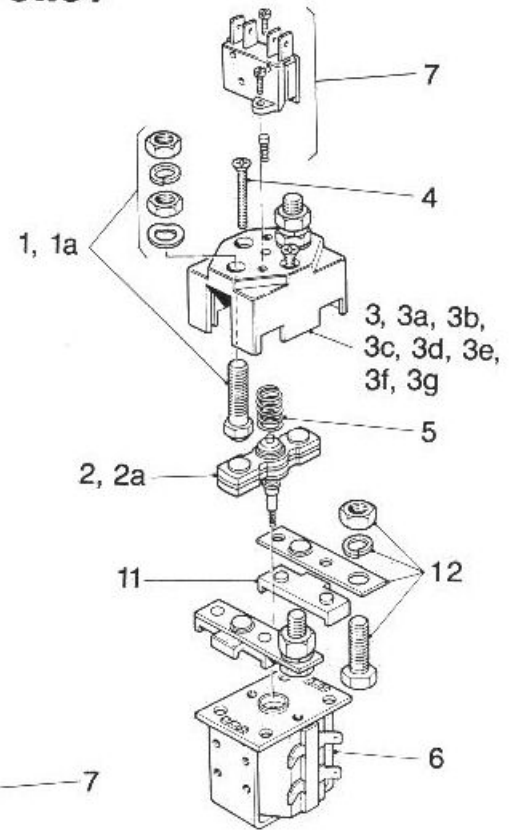
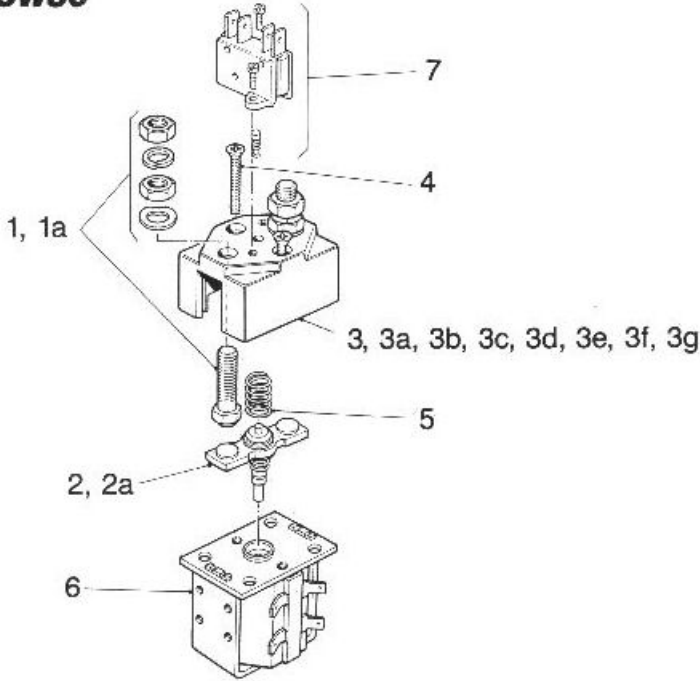




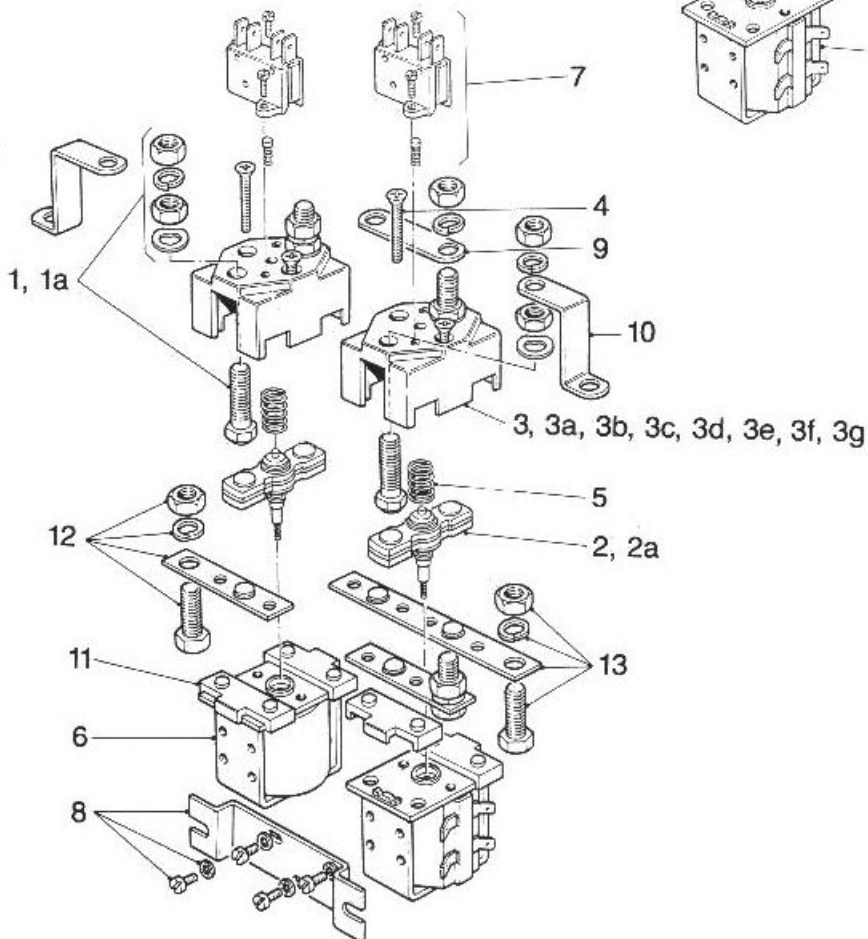
# SPARE PARTS FOR SOLENOID SWITCH TYPES SW80, SW84 and SW88

**SW80**

**SW84**



**SW88**



# Spare parts for Solenoid Switch types SW80, SW84 and SW88

*Suffix 'A' indicates with auxiliary contacts,  
Suffix 'B' indicates with magnetic blowouts,  
Suffix 'L' indicates with large contact tips*

SW80			
Item	Part No.	Description	Quantity
1	2070-46	Fixed Contact Assembly	2
1a	2070-85	Fixed Contact Assembly (SW80L)	2
2	2070-13	Moving Contact Assembly	1
2a	2070-88	Moving Contact Assembly (SW80L)	1
3	2070-4	Top Cover (SW80)	1
3a	2070-58B	Top Cover (SW80A)	1
3b	2070-58	Top Cover (SW80B)	1
3c	2070-58D	Top Cover (SW80AB)	1
3d	2070-4D	Top Cover Enclosed – optional (SW80)	1
3e	2070-58H	Top Cover Enclosed – optional (SW80A)	1
3f	2070-58F	Top Cover Enclosed – optional (SW80B)	1
3g	2070-58K	Top Cover Enclosed – optional (SW80AB)	1
4	2070-19	Top Cover Fixing Screws	2
5*	2070-16	Return Spring	1
6*	2070-20	Assembled Coil and Magnet Frame	1
7	2070-124	Auxiliary Contact Kit (SW80A)	1
8	2070-57	Contact Kit (SW80)	1
8a	2070-194	Contact Kit (SW80L)	1

SW84 and SW88				
Item	Part No.	Description	Quantity	
			SW84	SW88
1	2070-46	Fixed Contact Assembly	2	4
1a	2070-85	Fixed Contact Assembly (SW84L & SW88L)	2	4
2	2070-14	Moving Contact Assembly	1	2
2a	2070-14C	Moving Contact Assembly (SW84L & SW88L)	1	2
3	2070-4A	Top Cover (SW84 & SW88)	1	2
3a	2070-58C	Top Cover (SW84A & SW88A)	1	2
3b	2070-58A	Top Cover (SW84B & SW88B)	1	2
3c	2070-58E	Top Cover (SW84AB & SW88AB)	1	2
3d	2070-4E	Top Cover Enclosed – optional (SW84 & SW88)	1	2
3e	2070-58J	Top Cover Enclosed – optional (SW84A & SW88A)	1	2
3f	2070-58G	Top Cover Enclosed – optional (SW84B & SW88B)	1	2
3g	2070-58L	Top Cover Enclosed – optional (SW84AB & SW88AB)	1	2
4	2070-19	Top Cover Fixing Screws	2	4
5*	2070-16	Return Spring	1	2
6*	2070-20	Assembled Coil and Magnet Frame	1	2
7	2070-124	Auxiliary Contact Kit (SW84A & SW88A)	1	2
8	2070-41	Mounting Bracket including screws	–	1
9	2070-28	Link (Straight)	–	1
10	2070-29	Link (Cranked)	–	2
11	2070-21	Contact Insulator	2	4
12	2070-47	Single Normally Closed Fixed Contact	2	2
13	2070-48	Double Normally Closed Fixed Contact	–	1
14	2070-193	Contact Kit (SW84)	1	–
14a	2070-221	Contact Kit (SW84L)	1	–
15	2070-151	Contact Kit (SW88)	–	1
15a	2070-222	Contact Kit (SW88L)	–	1

\* When ordering these items please state full type number of contactor for which items are required.

Note: M8 nuts to items 1 & 1a should be tightened to a torque of 8 to 9.5 Nm.