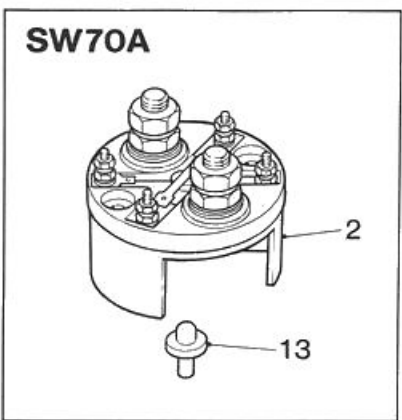
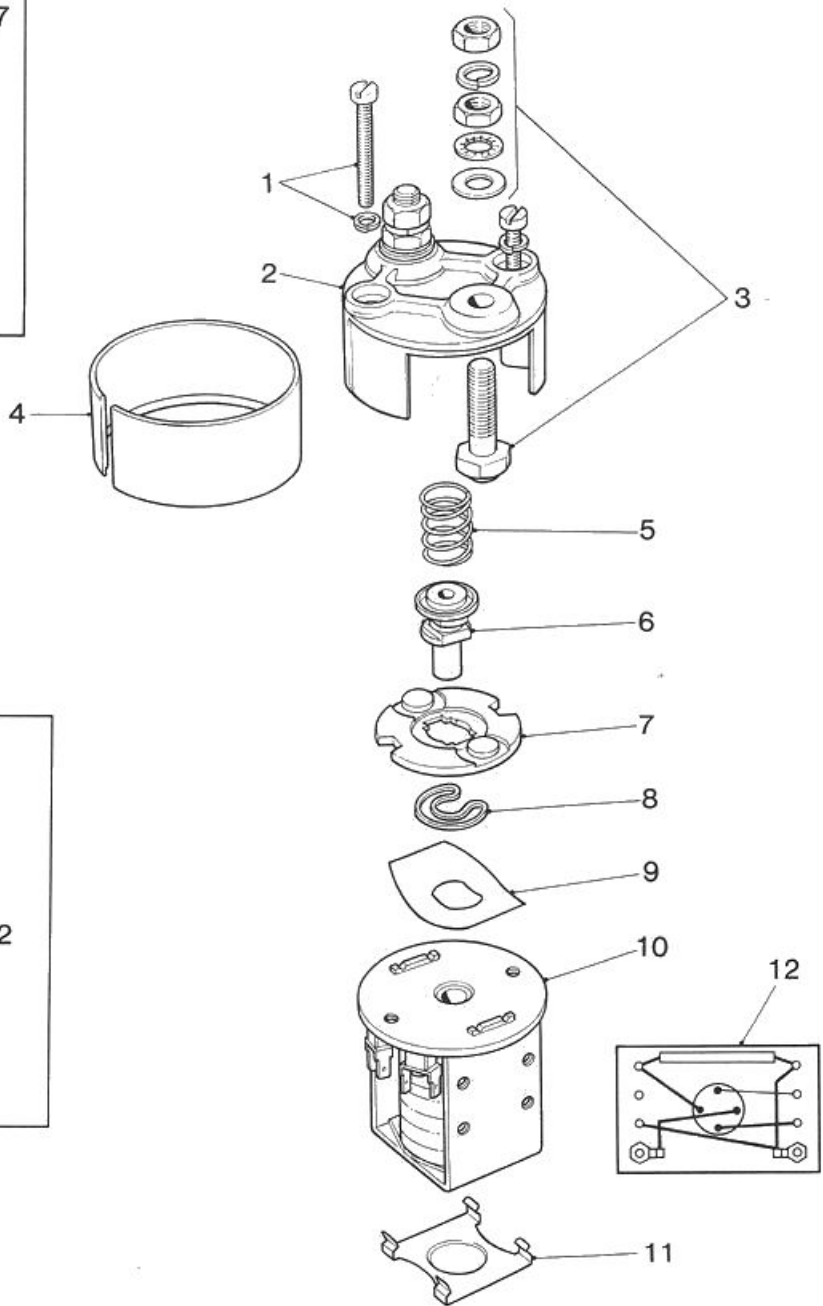
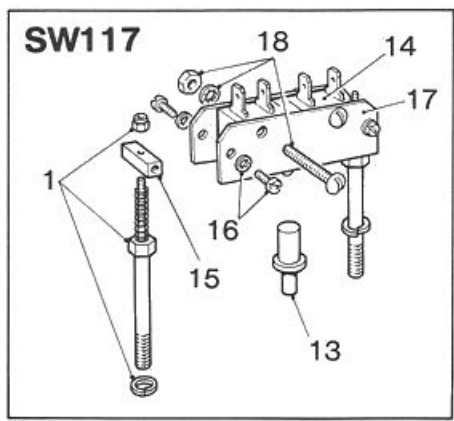


# SOLENOID SWITCH TYPES SW62A, SW70A and SW117



## Spare parts for Solenoid Switch types SW62A, SW70A and SW117

Item	Part Number and Description	Quantity per Switch		
		SW62A	SW70A	SW117
1	Top Cover Screw c/w Washer 2028-513 2028-466	2 -	2 -	- 2
2	Top Cover 2028-23A 2028-23B 2028-247 c/w Auxiliary Contacts	1 - -	- - 1	- 1 -
✓ 3	Terminal Contact Assembly 2028-512	2	2	2
4	Spring Cover 2028-563	1	1	1
5	Return Spring (Please state full type number of switch) eg SW62A-58M	1	1	1
6	Moving Contact Bush 2028-417	1	1	1
✓ 7	Moving Contact 2028-48	1	1	1
8	Circlip 2028-486	1	1	1
9	Contact Spring 2028-43 (3lb 14oz)	1	1	1
10	Assembled Coil and Magnet Frame (Please state full type number of switch) eg SW62A-58M	1	1	1
11	Spring Armature Cap 2028-422	1	1	1
12	Rectifier Assembly (Please state full type number of switch) eg SW62A-108M	As req'd	As req'd	As req'd
13	Auxiliary Contact Plunger 2028-418 2028-457	- -	1 -	- 1
14	Micro Switch 2114-21	-	-	1
15	Micro Switch Spacer 2028-453	-	-	2
16	Fixing Screw c/w Washer 2028-483	-	-	4
17	Insulator 2028-455	-	-	2
18	Micro Switch Fixing Screw c/w Nut and Washer 2028-482	-	-	2