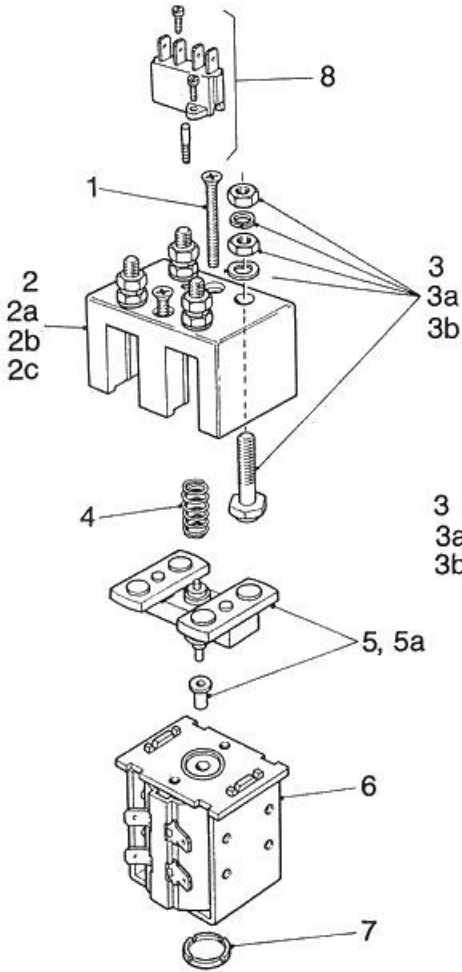


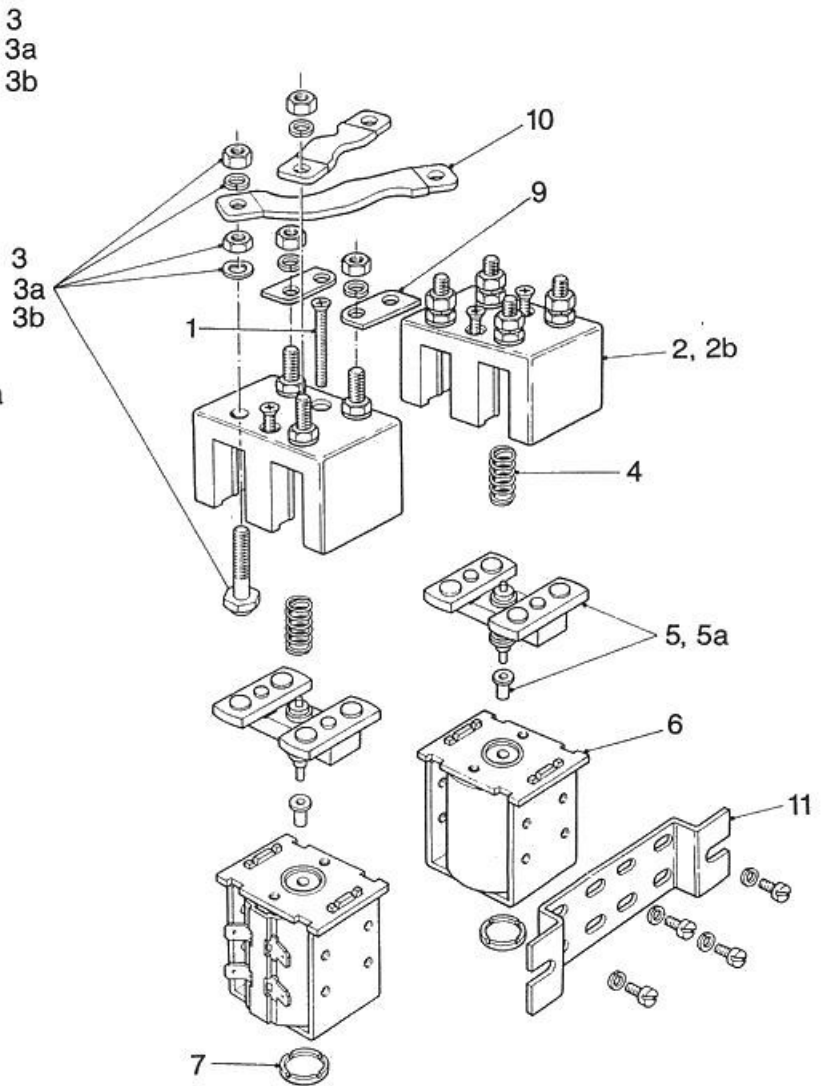


SPARE PARTS FOR SOLENOID SWITCH TYPES SW190 and SW192

SW190



SW192



Spare parts for Solenoid Switch types SW190 and SW192

Suffix 'A' indicates with auxiliary contacts
Suffix 'B' indicates with magnetic blowouts
Suffix 'L' indicates with large contact tips

SW190 and SW192

Item	Part No.	Description	Quantity	
			SW190	SW192
1	2180-38	Top Cover Fixing Screw	2	4
2	2180-151	Top Cover	1	2
2a	2180-363C	Top Cover (SW190A)	1	–
2b	2180-363A	Top Cover (SW190B & SW192B)	1	2
2c	2180-363B	Top Cover (SW190AB)	1	–
3	2180-102	Fixed Contact Assembly	4	8
3a	2180-26	Fixed Contact Assembly (SW190L & SW192L)	4	8
3b	2180-102A	Fixed Contact Assembly (SW190 & SW192, 13mm longer thread)	4	8
4*	2114-19	Return Spring	1	2
5	2180-166	Moving Contact Assembly	1	2
5a	2180-167	Moving Contact Assembly (SW190L & SW192L)	1	2
6*	2180-40	Assembled Coil and Magnet Frame	1	2
7	2180-246	End Cap	1	2
8	2180-172	Auxiliary Contact Kit (SW190A)	1	–
9	2180-162	Link (Small)	–	2
10	2180-165	Link (Long)	–	2
11	2159-39	Mounting Bracket including screws	–	1
12	2180-362	Spare Contact Kit (SW190 & SW192)	1	2
12a	2180-362A	Spare Contact Kit (SW190L & SW192L)	1	2

* When ordering these items please state full type number of contactor for which items are required.

Note: M8 nuts to items 3, 3a and 3b should be tightened to a torque of 8 to 9.5 Nm.

ALBRIGHT INTERNATIONAL LTD.

125 Red Lion Road, Surbiton, Surrey, KT6 7QS, England.

Tel: +44 (0) 20 8390 5357 Fax: +44 (0) 20 8390 1927 Email: Technical: technical@albright.co.uk Sales: sales@albright.co.uk

Sept 07