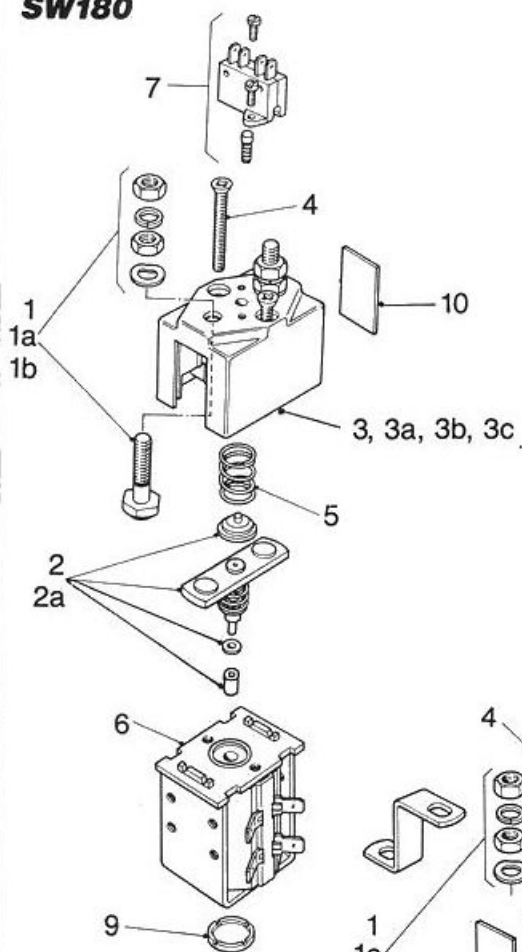


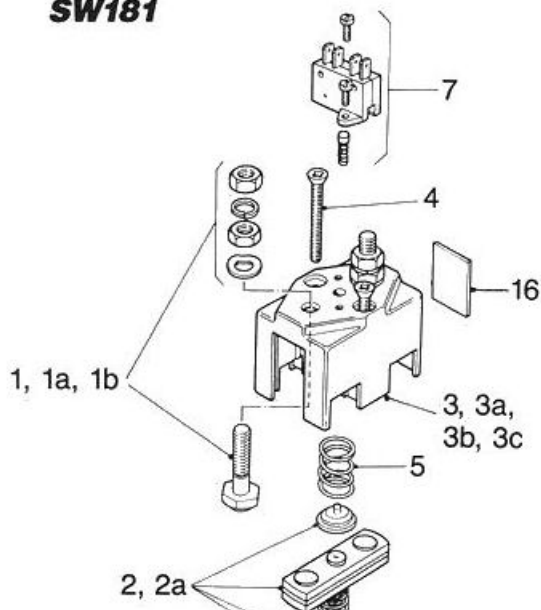


# SPARE PARTS FOR SOLENOID SWITCH TYPES SW180, SW181 and SW182

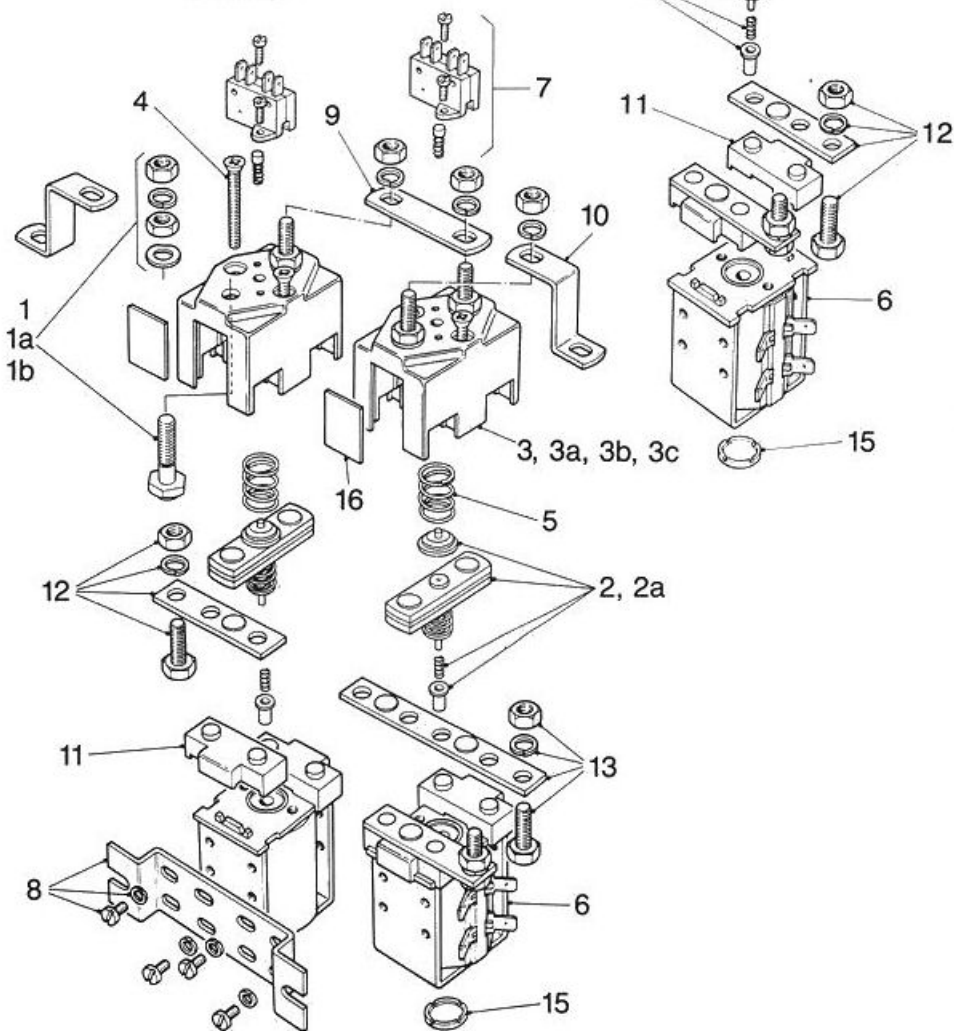
**SW180**



**SW181**



**SW182**



## Spare parts for Solenoid Switch types SW180, SW181 and SW182

*Suffix 'A' denotes auxiliary contacts*  
*Suffix 'B' denotes magnetic blowouts*  
*Suffix 'L' denotes large contact tips*

### SW180

Item	Part No.	Description	Quantity	
1	2180-102	Fixed Contact Assembly	2	
1a	2180-26	Fixed Contact Assembly (SW180L)	2	
1b	2180-102A	Fixed Contact Assembly (13mm longer thread)	2	
2	2180-27	Moving Contact Assembly	1	
2a	2180-28	Moving Contact Assembly (SW180L)	1	
3	2180-5	Top Cover (SW180)	1	
3a	2180-25E	Top Cover (SW180A)	1	
3b	2180-25A	Top Cover (SW180B)	1	
3c	2180-25C	Top Cover (180AB)	1	
4	2180-38	Top Cover Fixing Screws	2	
5*	2028-30	Return Spring	1	
6*	2180-40	Assembled Coil and Magnet Frame	1	
7	2180-796	Auxiliary Contact Kit (SW180A)	1	
8	2180-42	Spare Contact Kit	1	
8a	2180-42A	Spare Contact Kit (SW180L)	1	
9	2180-246	End Cap	1	
10	2180-41	Dust Shield – optional	2	

### SW181 and SW182

Item	Part No.	Description	Quantity	
			SW181	SW182
1	2180-102	Fixed Contact Assembly	2	4
1a	2180-26	Fixed Contact Assembly (SW181L, SW182L)	2	4
1b	2180-102A	Fixed Contact Assembly (13mm longer thread)	2	4
2	2180-29	Moving Contact Assembly	1	2
2a	2180-30	Moving Contact Assembly (SW181L, SW182L)	1	2
3	2180-5A	Top Cover (SW181, SW182)	1	2
3a	2180-25F	Top Cover (SW181A, SW182A)	1	2
3b	2180-25B	Top Cover (SW181B, SW182B)	1	2
3c	2180-25D	Top Cover (SW181AB, SW182AB)	1	2
4	2180-38	Top Cover Fixing Screws	2	4
5*	2028-30	Return Spring	1	2
6*	2180-40	Assembled Coil and Magnet Frame	1	2
7	2180-796	Auxiliary Contact Kit (SW181A, SW182A)	1	2
8	2159-39	Mounting Bracket including Screws	–	1
9	2180-36	Link (Straight)	–	1
10	2180-37	Link (Cranked)	–	2
11	2180-6	Contact Insulator	2	4
12	2180-31	Single Normally Closed Fixed Contact	2	2
13	2180-33	Double Normally Closed Fixed Contact	–	1
14	2180-43	Spare Contact Kit (SW181)	1	–
14a	2180-43A	Spare Contact Kit (SW181L)	1	–
14b	2180-44	Spare Contact Kit (SW182)	–	1
14c	2180-44A	Spare Contact Kit (SW182L)	–	1
15	2180-246	End Cap	1	2
16	2180-41A	Dust Shield – optional	2	4

\* When ordering these items please state full type number of contactor for which items are required.

Note: M8 nuts should be tightened to a torque of 8 to 9.5 Nm.