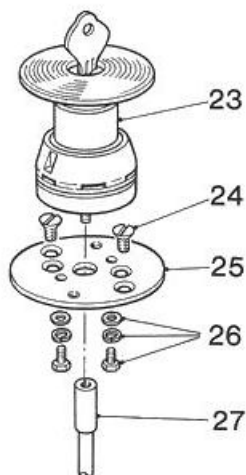
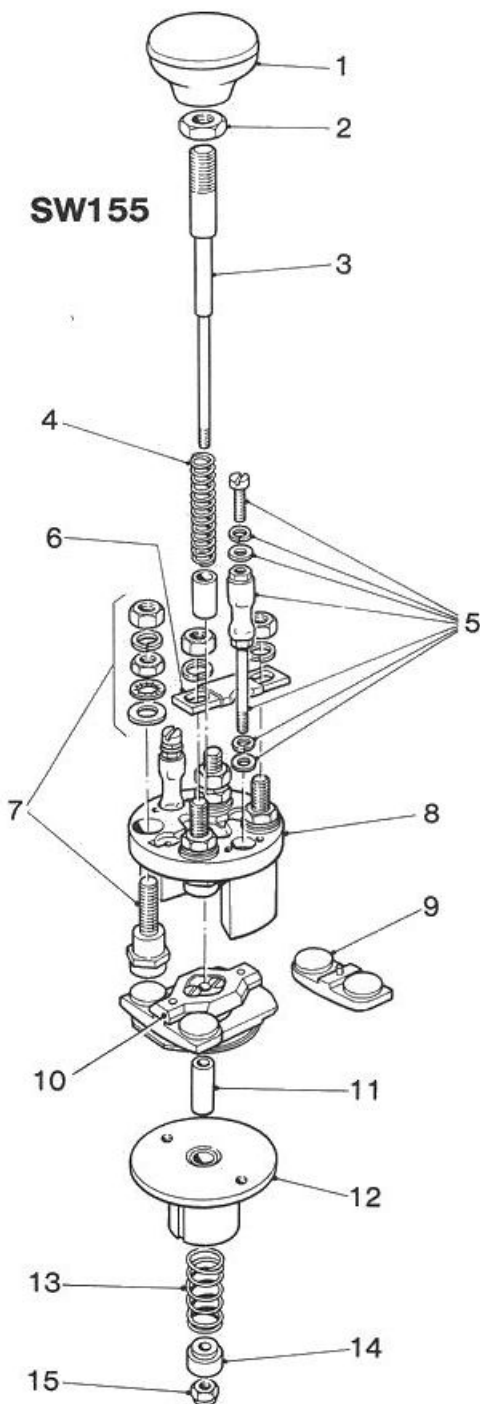


EMERGENCY BATTERY DISCONNECTING SWITCH TYPES SW155, SW159 and SW203

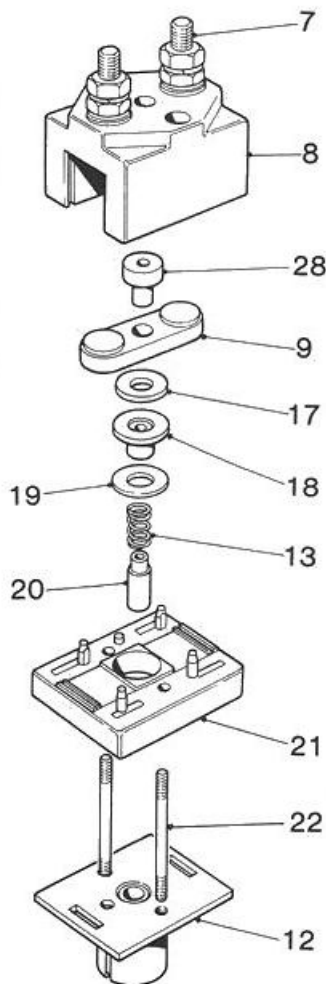
**SW155L
SW159L
SW203L**



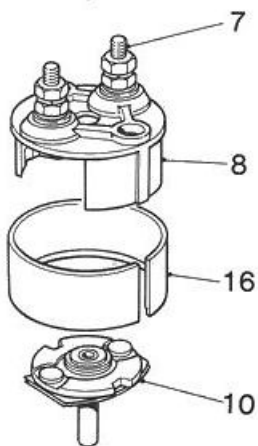
SW155



SW203



SW159



Spare parts for SW155, SW159 and SW203

Also SW155L, SW159L and SW203L (lockable versions)

Number and Description	Quantity per Switch		
Operating Knob 2146-20C (SW155, SW159, SW203)	1	18	Contact Support Bush 2155-79 (SW203, SW203L) 1
Locknut 2155-27A (SW155, SW159, SW203)	1	19	Plain Washer 2065-52 (SW203, SW203L) 1
Centre Bolt 2146-10 (SW155, SW159) 2155-78 (SW203)	1 1	20	Contact Spring Plunger 2155-77 (SW203, SW203L) 1
Return Spring 2028-120A (SW155, SW159, SW203) 2028-120A (SW155L, SW159L, SW203L)	1 1	21	Top Cover Base 2155-2 (SW203, SW203L) 1
Assembled Top Cover Fixing Stud 2146-19 (SW155) 2150-11 (SW159) 2155-203 (SW203)	2 2 2	22	Top Cover Fixing Stud 2155-76 (SW203, SW203L) 2
Terminal Link 2028-154A (SW155, SW155L)	1	23	Lock/Actuator Assembly 2146-47 (SW155L, SW159L, SW203L) 1
Fixed Contact Assembly 2146-18A (SW155, SW155L) 2150-12B (SW159, SW159L) 2155-19B (SW203, SW203L)	4 2 2	24	Plate Fixing Screw 2028-273A (SW155L, SW159L, SW203L) 2
Top Cover Moulding 2028-485A (SW155) 2028-485B (SW155L) 2028-23J (SW159) 2028-23H (SW159L) 2155-65K (SW203) c/w magnets 2155-65M (SW203L) c/w magnets	1 1 1 1 1 1	25	Actuator Mounting Plate 2146-39A (SW155L, SW159L, SW203L) 1
Moving Contact 2123-18 (SW155, SW155L) 2155-73 (SW203, SW203L)	2 1	26	Actuator Mounting Screw and Washers 2146-49 (SW155L, SW159L, SW203L) 2
Moving Contact Assembly 2146-17B (SW155, SW155L) less contacts 2150-14 (SW159, SW159L)	1 1	27	Centre Bolt 2146-27 (SW155L, SW159L) 2155-78A (SW203L) 1
Centre Bolt Guide 2146-8 (SW155, SW155L) 2146-8A (SW159, SW159L) 2146-8B (SW203, SW203L)	1 1 1	28	Contact Locating Spigot 2155-80 (SW203, SW203L) 1
Assembled Backplate and Body 2146-16 (SW155, SW155L, SW159, SW159L) 2146-16A (SW203, SW203L)	1 1		
Return Spring 2065-43J (SW155, SW155L, SW159, SW159L) 2155-68 (SW203, SW203L)	1 1		
Plunger Cap 2146-6A (All types)	1		
Locknut 2065-68A (All types)	1		
Spring Cover 2028-563 (SW159, SW159L)	1		
Contact Support 2155-74 (SW203, SW203L)	1		

Upon re-assembly items 12 and 14 should be lightly oiled.