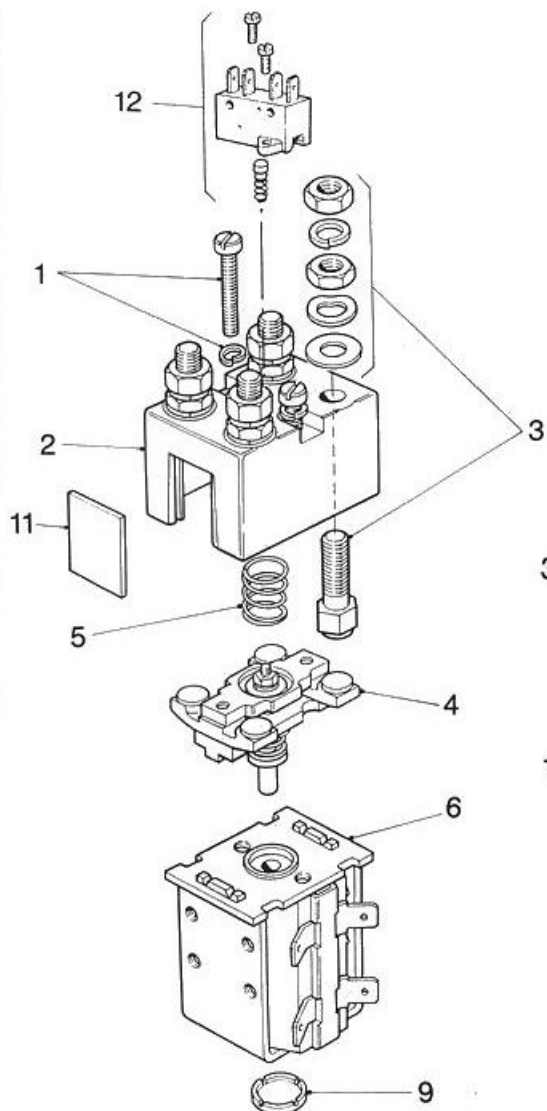


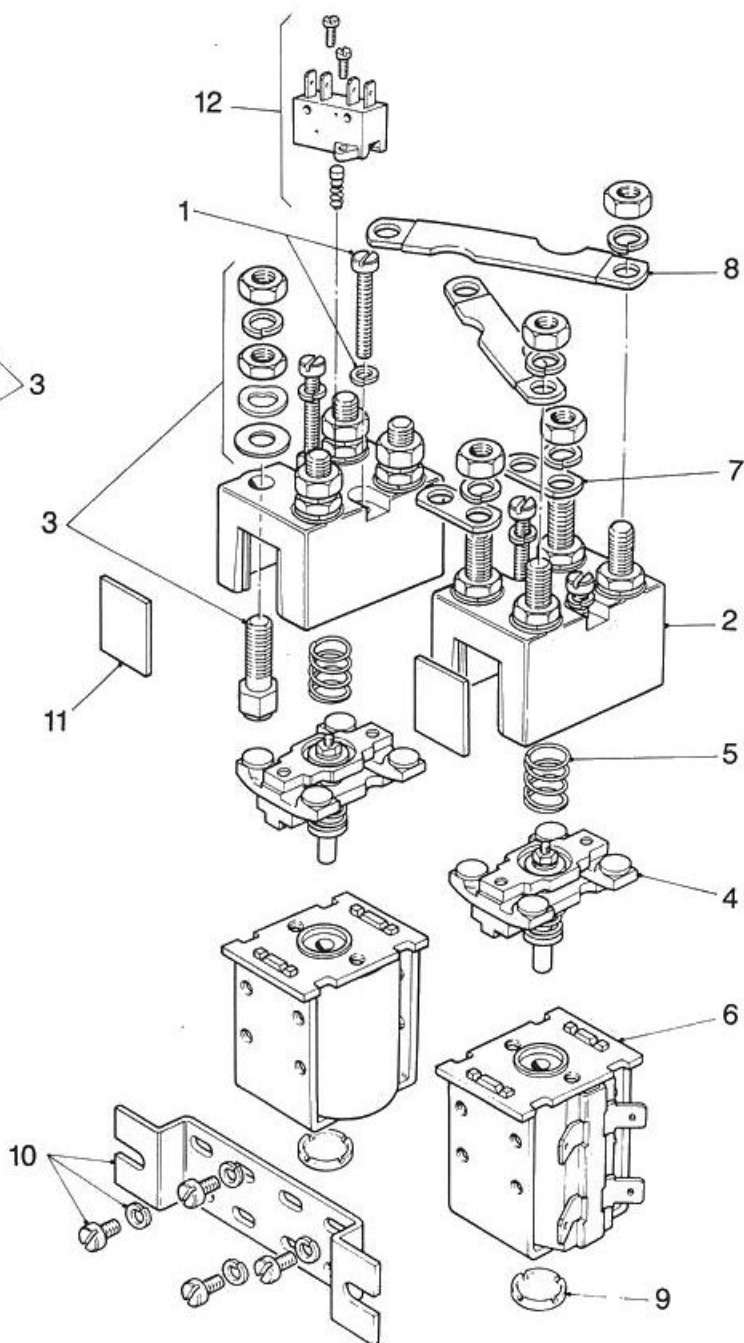


SPARE PARTS FOR SOLENOID SWITCH TYPES SW120 and SW122

SW120



SW122



Spare parts for Solenoid Switch types SW120 and SW122

Suffix 'A' indicates with auxiliary contacts

SW120 and SW122				
Item	Part No.	Description	Quantity	
			SW120	SW122
1	2159-22	Top Cover Fixing Screw with Lock Washer	2	4
2	2159-72	Top Cover	1	2
	2159-72A	Top Cover (SW120A, SW122A)	1	2
3	2159-18B	Fixed Contact Assembly	4	8
4	2180-62	Moving Contact Assembly	1	2
5*	–	Return Spring	1	2
6*	–	Assembled Coil and Magnet Frame	1	2
7	2159-85	Link (Short)	–	2
8	2159-88	Link (Long)	–	2
9	2180-246	End Cap	1	2
10	2159-39	Mounting Bracket (including screws)	–	1
11	2159-97	Dust Shield – optional	2	4
12	2180-82	Auxiliary Contact Kit (SW120A, SW122A)	1	2
13	2159-170	Spare Contact Kit	1	2

* When ordering these items please state full type number of contactor for which items are required.

Long links (item 8) cannot be fitted to SW122A.

Note: M8 nuts to item 3 should be tightened to a torque of 4.5 to 5.7 Nm.