

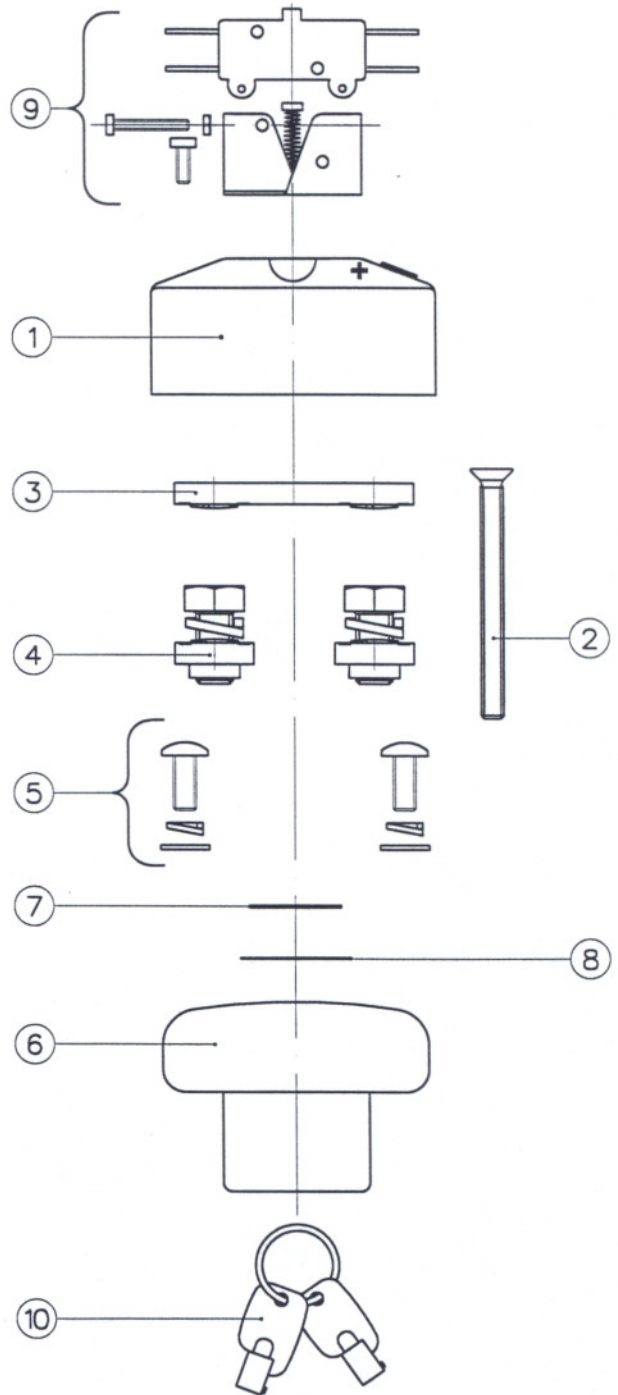


# SPARE PARTS FOR BATTERY DISCONNECTING SWITCH TYPE ED250

Suffix 'A' indicates auxiliary contacts  
 Suffix 'B' indicates magnetic blowouts  
 Suffix 'L' indicates lockable version

## ED250

ITEM	PART No.	DESCRIPTION	QTY.
1	2200-13	TOP COVER (ED250 & ED250L).	1-OFF
1a	2200-73	TOP COVER (ED250A & ED250LA).	1-OFF
1b	2200-73a	TOP COVER (ED250B & ED250LB).	1-OFF
1c	2200-73b	TOP COVER (ED250AB & ED250LAB).	1-OFF
1d	2200-13a	TOP COVER ENCLOSED (ED250 & ED250L).	1-OFF
1e	2200-73c	TOP COVER ENCLOSED (ED250A & ED250LA).	1-OFF
1f	2200-73d	TOP COVER ENCLOSED (ED250B & ED250LB).	1-OFF
1g	2200-73e	TOP COVER ENCLOSED (ED250AB & ED250LAB).	1-OFF
2	2200-18	TOP COVER FIXING SCREW.	2-OFF
3	2180-18	MOVING CONTACT.	1-OFF
4	2200-11	FIXED CONTACT ASSEMBLY.	2-OFF
3&4	2200-63	CONTACT KIT.	1-OFF
5	2200-72	MOUNTING HARDWARE.	1-OFF
6	2200-6	OPERATING KNOB.	1-OFF
6a	2200-7	OPERATING KNOB (ED250L).	1-OFF
7	2200-38	CIRCLIP (ED250L).	1-OFF
8	2200-39	WAVY WASHER (ED250L).	1-OFF
9	2200-65	AUXILIARY CONTACT KIT. (ED250A)	1-OFF
10	2200-50	KEYS (SET OF 2) (ED250L).	1-OFF



NOTE: M8 main terminals (item 4) should be tightened to a torque of 8.5 to 10 Nm.

