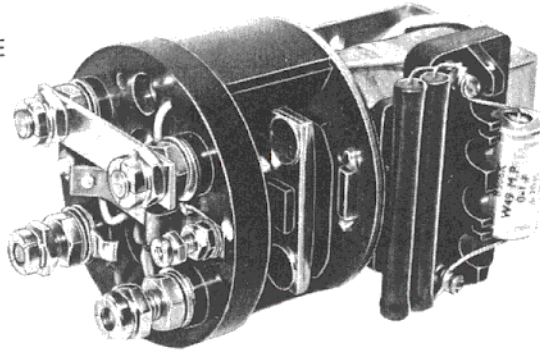


240 VOLT D.C. SOLENOID SWITCH TYPE SW 71

DOUBLE POLE ON/OFF TYPE

WEIGHT — 1.5 lbs (.68 Kg)

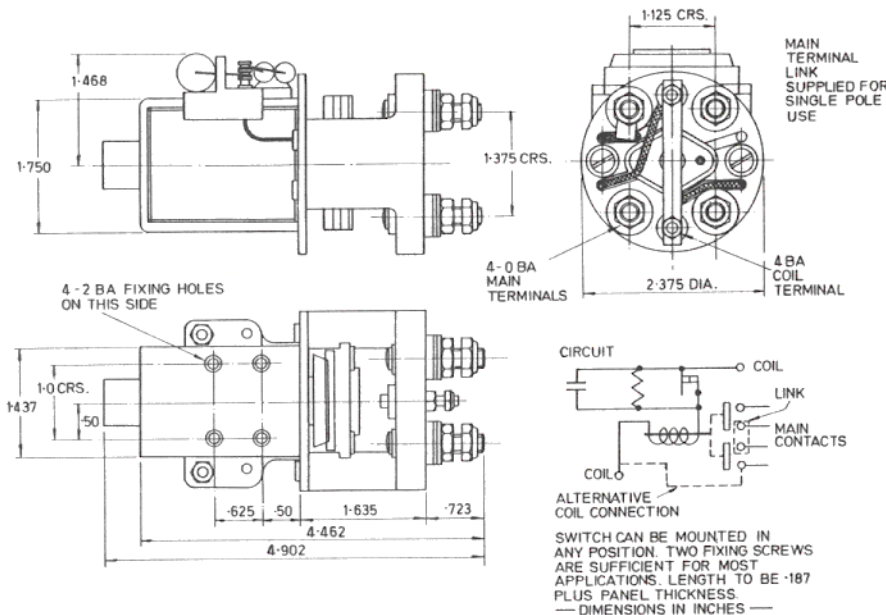


RECOMMENDED RATING

50 amperes at 240 Volts
D.C. continuous*Other ratings according
to application and
voltage.*

METRIC EQUIVALENTS

Inches	mm
4.902	— 124.5
4.462	— 113.3
2.375	— 60.3
1.75	— 44.5
1.635	— 41.5
1.468	— 37.3
1.437	— 36.5
1.375	— 34.9
1.125	— 28.6
1.000	— 25.4
.723	— 18.4
.625	— 15.9
.50	— 12.7



The SW.71 double pole ON/OFF contactor has been designed for use with D.C. voltages up to 240. It is fitted with double breaking main contacts and each pole has a contact gap of .784 inches (19.9 mm). The two poles can be connected in series to give double the overall contact gap for particularly arduous switching conditions.

The operating coil, which is connected through an economy resistance and is continuously rated, can be wound for voltages from 6 to 240. Vacuum impregnation is standard for coils with voltage ratings of 100 and above.

Silver Cadmium Oxide contacts are used as standard.