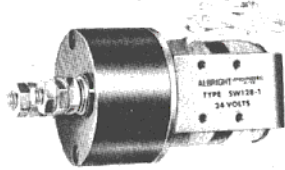
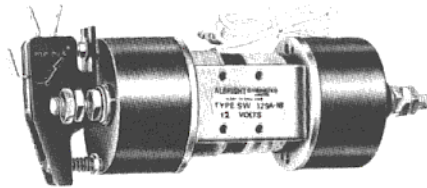


D.C. SOLENOID SWITCH TYPES SW 128, SW 128A, SW 129 & SW 129A

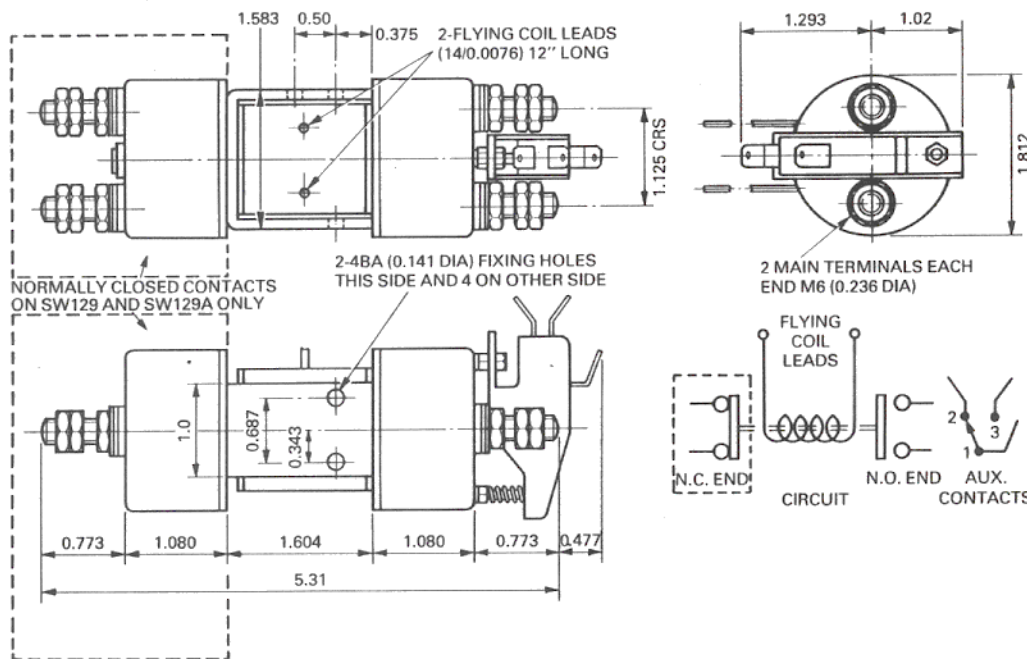
- SW128 ON/OFF TYPE
 SW129 CHANGEOVER TYPE
 SW128A ON/OFF TYPE WITH
 AUXILIARY CONTACTS
 SW129A CHANGEOVER TYPE WITH
 AUXILIARY CONTACTS

WEIGHTS

- SW128 0.78lb (0.35kg)
 SW128A 0.80lb (0.36 kg)
 SW129 1.03lb (0.47 kg)
 SW129A 1.05lb (0.48 kg)



RECOMMENDED RATINGS
 For direct current motors and
 other loads up to 1.5 kW at
 voltages up to 48.
*Other ratings according to
 application and voltage.*



METRIC EQUIVALENTS	
Inches	mm
5.31	134.9
1.812	46.0
1.604	40.7
1.583	40.2
1.125	28.6
1.080	27.4
1.00	25.4
0.773	19.6
0.687	17.4
0.500	12.7
0.477	12.1
0.375	9.5
0.343	8.7
0.236	6.0
0.141	3.6

These single pole solenoid switches have double breaking main contacts and can be used for the remote control of heavy currents.

The compact size of these switches makes them particularly suitable for use on light electric vehicles for speed control in the case of the SW128 and for motor reversing in the case of the changeover type SW129.

The SW129 can also be used as an isolator to prevent two circuits from operating simultaneously.

Contact material is silver cadmium oxide which is weld resistant and gives excellent wear and conductivity performance.

Coils can be wound for D.C. voltages from 6 to 240 and continuously rated (100%) versions can be supplied.

Auxiliary contacts in the form of V3 microswitches are fitted to the types SW128A and SW129A and these can be set to operate either before or after the main contacts close.